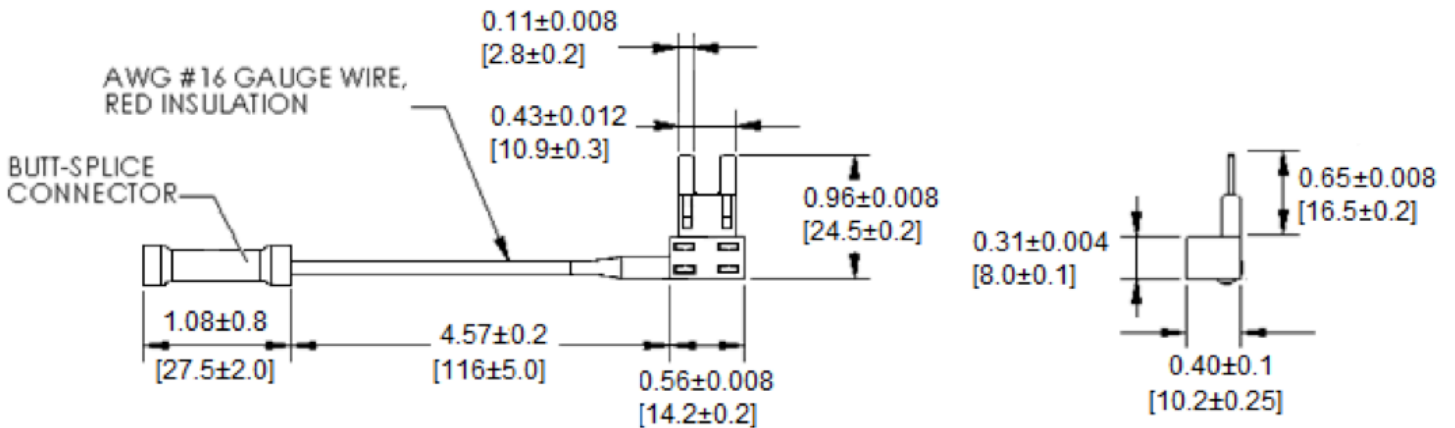


Mechanical Dimensions: Inches [mm]

Tolerances ± 0.012 [0.3] Unless Otherwise Specified



Part Numbers Information

| Bulk Part # | Retail Pack # | Pack Size |
|-------------|---------------|-----------|
| LPM-08 | LPM-08-BP | 1 |

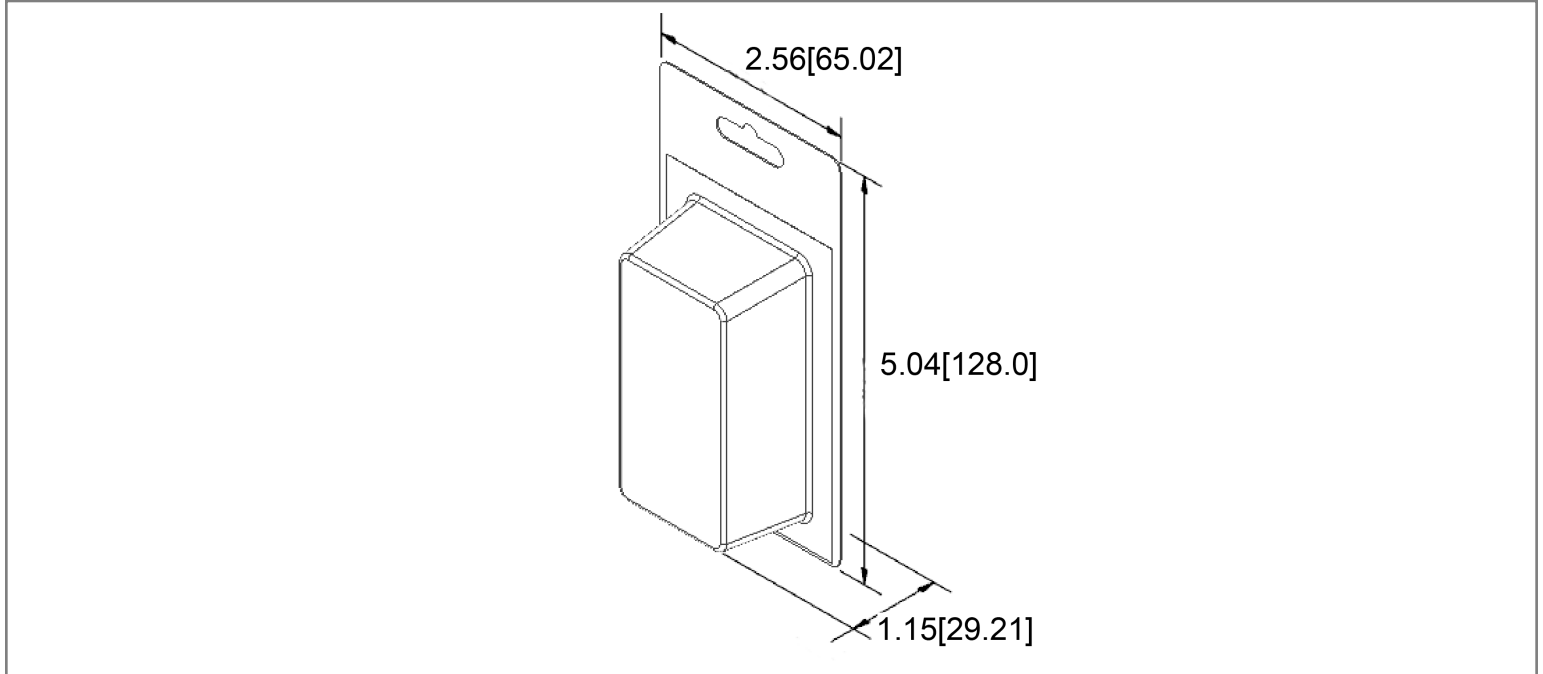
Electrical Specifications

| | |
|------------------------------------|--------|
| Voltage Rating | 125VDC |
| Current Rating (Combined Circuits) | 30A |
| Current Rating (Primary Circuit) | 30A |
| Current Rating (Auxiliary Circuit) | 10A |

Material Specifications

| | |
|--|----------------------------|
| For Use With ANM and APM (Miniature) Blade Fuses | |
| Body Material | Thermoplastic |
| Wire Type | 16 AWG; UL 1015 105°C; Red |
| Connector Type | Butt-Splice Connector |

Retail Pack: Inches [mm]



| Rev | Date of issue | Revision Notes | Designed | Approved |
|-----|---------------|---------------------|----------|----------|
| D | 10-15-2025 | Updated Retail Pack | RC | OF |