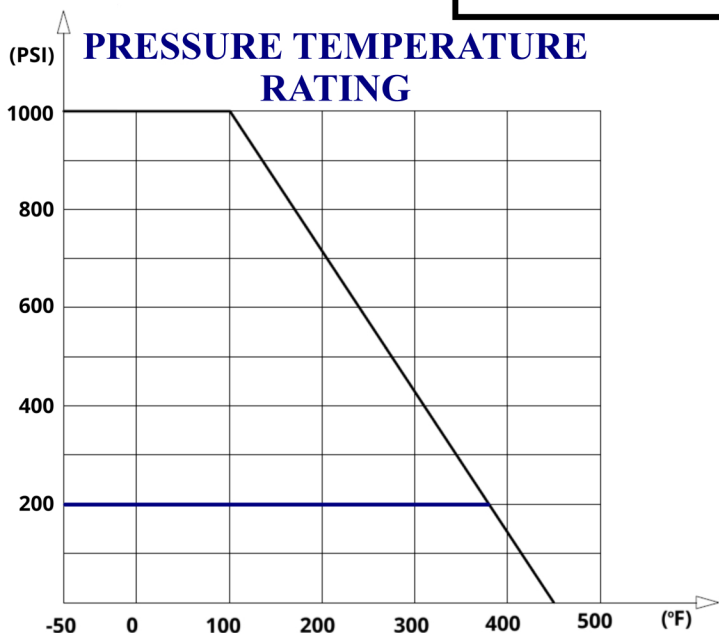
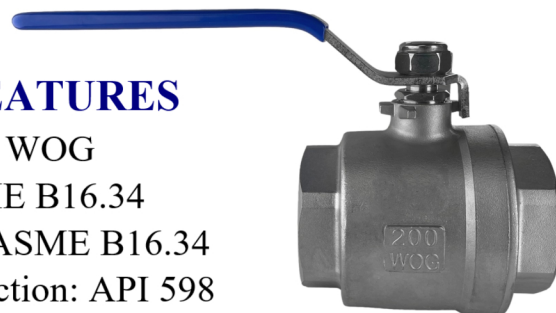


## Stainless Steel 200 PSI Ball Valve



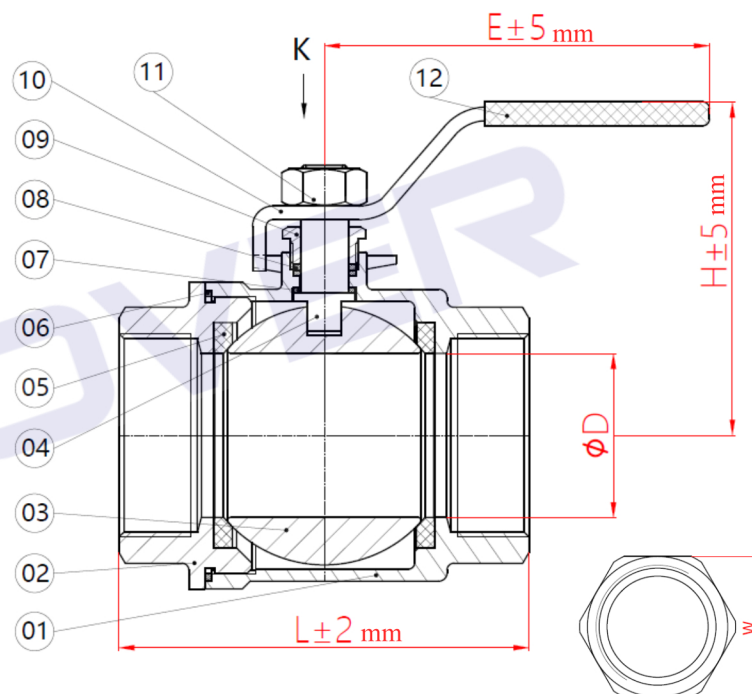
### DESIGN FEATURES

- Class: 200 PSI WOG
- Pressure: ASME B16.34
- Temperature: ASME B16.34
- Test and Inspection: API 598
- Connection Standard: NPT
- Blow-out-proof stem design



### MATERIALS LIST

No.	Part Name	Material
1	Body	CF8
2	End Cap	CF8
3	Ball	304SS
4	Stem	304SS
5	Seat	PTFE
6	Gasket	PTFE
7	Thrust Washer	PTFE
8	Packing	PTFE
9	Gland	CF8
10	Handle	201
11	Nut	201
12	Handle Sleeve	PVC



### DIMENSIONS

Part Number	Size	D		L		E		H		W		CV Value
	inch	inch	mm	inch	mm	inch	mm	inch	mm	inch	mm	
102622	1/4	0.45	11	2.20	56	3.94	100	2.20	56	0.94	24	16
102623	3/8	0.45	11	2.20	56	3.94	100	2.20	56	0.94	24	16
102624	1/2	0.59	15	2.20	56	3.94	100	2.20	56	0.94	24	20
102625	3/4	0.78	20	2.56	65	4.33	110	2.68	68	1.18	30	38
102626	1	1.01	26	2.83	72	4.76	121	2.91	74	1.46	37	72
102627	1 1/4	1.24	32	3.27	83	5.28	134	3.19	81	1.81	46	93
102628	1 1/2	1.52	39	3.78	96	5.91	150	3.31	84	2.05	52	145
102629	2	1.93	49	4.33	110	6.30	160	3.70	94	2.52	64	230
102631	3	3.14	80	6.50	165	9.65	245	5.71	145	3.82	97	576
102632	4	3.93	100	7.87	200	12.68	322	6.34	161	4.82	123	940