

JUN-AIR®

A BRAND OF **GAST**®

Compressor

120R-40B, 120R-40BQ3
2x120R-90BQ6



Table of Contents

DB	Operating Manual	5
DE	Betriebsanweisung	5
FR	Mode d'emploi	5
ES	Modo de empleo.....	5
NL	Gebruiksaanwijzing	5
DK	Betjeningsforskrift	5
	Technical specifications Technische Daten Caracteristiques techniques Detalles técnicos Technische gegevens Tekniske specifikationer	
	Diagrams Zeichnungen Dessins Diagramas Tekeningen Diagrammer	
	Spare parts Ersatzteile Pieces detachées Piezas de recambio Onderdelenlijst Reserve dele	

Warranty

Provided that the instructions for operation, maintenance and service have been carried out, your JUN-AIR compressor is guaranteed against faulty material or workmanship for 2 years.

The air receiver is guaranteed for 5 years.

The guarantee does not cover damage caused by violence, misuse, incorrect repairs or use of unoriginal spare parts. Costs of transportation of parts/equipment are not covered by the guarantee.

JUN-AIR's Conditions for Sale and Delivery will generally apply.

JUN-AIR International A/S reserves the right to change technical specifications/constructions.

DE – Garantie

Vorausgesetzt, dass die Anweisungen für Betrieb und Wartung erfüllt sind, gewährt JUN-AIR 2 Jahre Garantie bei Material- oder Fertigungsfehlern.

Auf den Druckbehälter gewährt JUN-AIR 5 Jahre Garantie.

Ausgenommen von Garantieleistungen sind Schäden die durch Gewalt, falsche Bedienung, nicht fachgerechte Reparaturen oder durch Verwendung nicht originaler Ersatzteile verursacht wurden. Transportkosten sind von der Garantie ausgeschlossen.

Es gelten die allgemeinen Geschäfts- und Lieferbedingungen von JUN-AIR.

JUN-AIR behält sich das Recht von technischen Änderungen vor.

FR – Garantie

Celle-ci s'applique à toutes les pièces défectueuses et les vices de fabrication pendant 2 ans d'utilisation, à condition que les instructions d'emploi aient été correctement appliquées.

La garantie sur la cuve est de 5 ans.

Sont exclus de la garantie: L'utilisation de pièces détachées non d'origine. Les dommages résultant de réparations négligées, d'un manque d'entretien, d'utilisation incorrecte ou de violence. Les frais de transport de pièces/matériel ne sont pas couverts par la garantie.

Sauf accord contraire, les Conditions Générales de Vente et de Livraison de JUN-AIR International A/S seront appliquées.

JUN-AIR International A/S se réserve le droit de changer les spécifications techniques/la construction.

ES – Garantía

Su compresor JUN-AIR está garantizado durante 2 años contra fallos de materiales o de construcción, siempre que se cumplan las instrucciones de uso.

El tanque está garantizado durante 5 años.

La garantía no cubre los daños causados por violencia, mala utilización, reparaciones incorrectas o uso de recambios no originales. El coste de transporte de recambios o equipos no está cubierto por la garantía.

Las Condiciones Generales de Venta y Entrega de JUN-AIR International A/S serán aplicables.

JUN-AIR International A/S se reserva el derecho a cambiar las especificaciones técnicas o de construcción sin aviso.

NL – Garantie

Op de JUN-AIR compressor geven wij een garantie van 2 jaar op materiaal- en constructiefouten, onder de voorwaarde dat u zich aan de gebruiksaanwijzing heeft gehouden.

De garantie op het drukvat bedraagt 5 jaar.

De garantie is niet van toepassing op schade die het gevolg is van geweld, onjuist gebruik, onvakkundige reparaties of gebruik van niet originele onderdelen. Kosten van transport van onderdelen vallen niet onder de garantie.

De verkoop- en leveringsvoorwaarden van JUN-AIR International A/S zijn van toepassing.

JUN-AIR International A/S behoudt zich het recht voor technische gegevens te wijzigen.

DK – Garanti

Under forudsætning af at alle betjenings- og serviceforskrifter overholdes, ydes der 2 års garanti for alle materiale- og fabrikationsfejl.

Dog ydes der 5 års garanti for beholdergennemtæring.

Garantien omfatter ikke skader, som skyldes vold, misbrug, fejlagtige reparationer eller uoriginale reservedele.

Transportomkostninger er ikke omfattet af garantien.

For Skandinavien gælder i øvrigt NL 92 Salgs- og Leveringsbetingelser.

JUN-AIR International A/S forbeholder sig retten til ændringer i tekniske specifikationer og konstruktion.

SAFETY

Important - read this first!

Please read the following information and operating instructions included with this product before use. This information is for your safety and it is important that you follow these instructions. It will also help prevent damage to the product. Failure to operate the unit in accordance with the instructions or using JUN-AIR unauthorized spare parts can cause damage to the unit and could cause serious injury.

CAUTION: To reduce risk of electric shock

- Only authorized service agents should carry out service. Removing parts or attempting repairs can create an electric shock. Refer all servicing to qualified service agents.
- If this unit is supplied with a three-pin plug, connect with a properly earthed outlet only.

WARNING: To reduce risk of electrocution

- Do not use this unit with electrical voltages other than stated on the rating plate.
- Always unplug this unit immediately after use and store in a dry place.
- Do not use this product in or near liquid or where it can fall or be pulled into water or other liquids.
- Do not reach for this product if it has fallen into liquid. Unplug immediately.
- This unit is not weatherproof. Never operate outdoors in the rain or in a wet area.

DANGER: To reduce risk of explosion or fire

- During spraying with combustible liquids, risk of explosion may arise, particularly in closed rooms.
- Do not use this product in or near explosive atmospheres or where aerosol products are being used.
- Do not pump any other gases other than atmospheric air.
- Do not pump combustible liquids or vapours with this product; do not use it in or near areas with combustible or explosive liquids or vapours.
- Do not use this unit near open flames..

CAUTION: To prevent injury

- Compressed air can be dangerous; do not direct airflow at a person's head or body.
- Always keep the system out of reach of children.
- Never operate this product if it has a damaged power lead or plug, if it has been dropped or damaged, or if it has fallen into water. Return the product to a service center for examination and repair.
- Keep the electrical cable away from hot surfaces.
- Ensure all openings are kept free of restriction and never restart when the unit cools and the overload resets. Never place the system on a soft surface where the openings may be blocked. Keep all openings free from dust, dirt and other particles.
- Never leave this product unattended when plugged in.
- Never insert fingers or any other objects into fans.
- This unit is thermally protected and can automatically restart when the overload resets.
- Wear safety glasses, when servicing this product.
- Use only in well ventilated areas.
- This product may only be connected to units or tools with a max. pressure rating higher or equal to that of the compressor.
- The surface of the compressor can get hot. Do not touch compressor motor during operation.

Failure to observe the safety precautions could result in severe bodily injury, including death in extreme cases.

IMPORTANT: General directions for use

- Protect compressor against rain, moisture, frost and dust.
- The compressor is constructed and approved for a max. pressure as stated under Technical Specifications.
- Do not operate the compressor at ambient temperatures exceeding 40°C/104°F or falling below 0°C/32°F.
- If the supply power lead on the compressor is defective, an authorized **Jun-Air** distributor or other qualified personnel must carry out the repair.

OPERATION

- If the compressor has been stored at an extremely low temperature, allow it to heat to room temperature before switching it on.
- If the compressor is supplied with a receiver, connect equipment and open the filter regulator on the receiver.
- Turn on the compressor on the pressure switch.



- The compressor will automatically stop when the preset cut-out pressure is reached.
- If the compressor does not start, there might be pressure in the receiver. The compressor will automatically start when the pressure drops.
- The cut-in and cut-out pressure is preset from the factory and it is normally not necessary to change this. However, if it is necessary to change the preset settings, the instructions of this manual shall be followed carefully.
- All AC compressors are designed for 100% duty but 50% operation is recommendable to prolong the lifetime.
- Do not remove the protection covers during operation as it may cause electric shock or other personal injury.
- Do not lubricate the oil-less motor with oil, as it will destroy important components.

MAINTENANCE

To ensure a long lifetime of the compressor, it is important that inspection and maintenance is carried out regularly as described in the following.

Preventive maintenance

	Activity	Weekly	Monthly	One a year, or every 2000 hours
a	Drain condensate	•		
b	Check filter regulator	•		
c	Check for leaks		•	
d	Clean the unit		•	
e	Check safety valve			•
f	Check inlet filter			•
g	Check non-return valve			•

a) Drain condensate

Drain condensate by opening the drain cock on the receiver.

If mounted with auto drain, condensate will be drained automatically. If drain bottle is installed, empty when necessary.

b) Check filter regulator

If a filter regulator is installed, check weekly and drain for condensate by pressing the button at the bottom.

If auto drain is installed, the filter will be emptied automatically.

Check and change the filter and filter element in accordance with the instructions in "Installation and maintenance instructions" for the filter in question.

c) Check for leaks

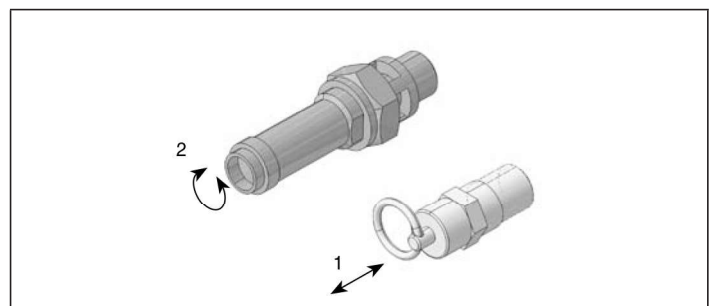
Check motor, hoses and equipment for leaks.

Check the pumping time.

d) Clean the unit

Clean the unit when needed with a soft, damp cloth. If necessary, use paraffin to remove adhesions. Dust and dirt prevent cooling.

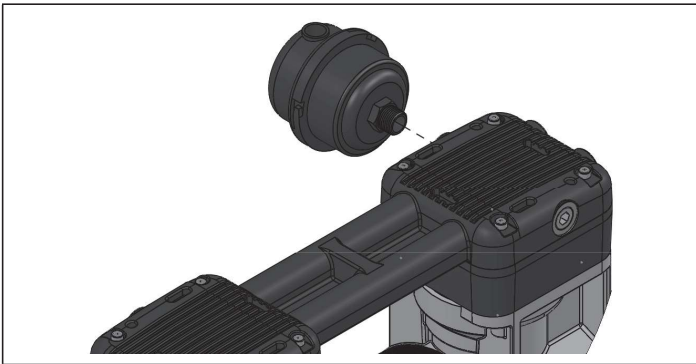
e) Check safety valve



Check the safety valve with pressure in the receiver. The safety valve is operated by pulling the ring [1] or turning the screw [2] depending on the valve type.

f) Check intake filter

Check the intake filter and change it if necessary.



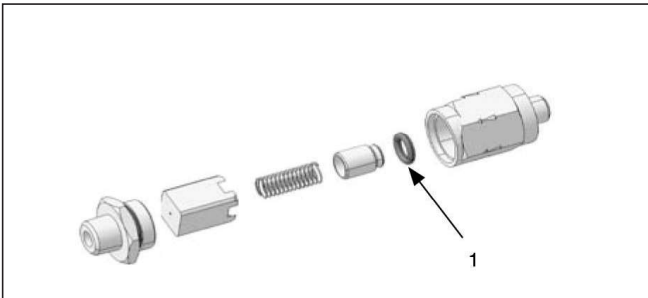
Remove the filter and replace.

g) Check the non-return valve

Turn off the compressor on the mains switch and pull out the plug.

Empty the receiver for compressed air by operating the safety valve. When the receiver is empty, the reading of the pressure gauge is 0 bar.

Dismount the non-return valve from the receiver.



Disassemble the non-return valve and remove the O-ring [1] from the piston.

Clean the non-return valve.

Mount a new O-ring and re-assemble the non-return valve.

Re-install the non-return valve. Service

Please note that all service must be carried out by a qualified person.

Adjustment of pressure switch

The working pressure has been preset from the factory, and it is normally not necessary to change this.

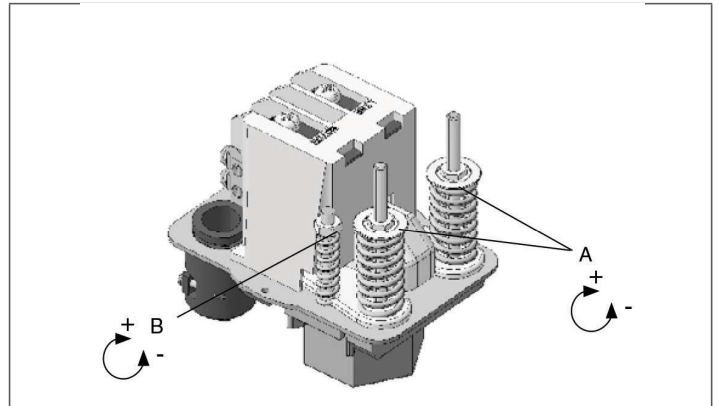
However, if it is necessary to change the preset settings, the instructions mentioned below should be followed carefully.

Warning

The compressor is constructed and approved for a max. pressure as stated under Technical Specifications - do not adjust to a higher pressure.

Higher working pressure will reduce the lifetime of the compressor.

The compressor will stop at max. pressure (stop pressure) and start again at min. pressure (start pressure). The difference between max. and min. pressure is the difference pressure.



Unscrew the lid of the pressure switch. Adjust max. pressure adjusting the two springs marked A (clockwise: higher pressure). Adjust the two springs identically.

Adjust the difference pressure adjusting the spring marked B (clockwise: higher difference pressure, start pressure maintained).

Test of pumping time

The pumping time indicates the condition of the compressor.

1. Check that there are no leaks in the system.
2. Empty the air receiver of compressed air so that the pressure gauge shows 0 bar.
3. Close the filter regulator and check that the drain valve is closed.
4. Start the compressor and note the time it takes until it is turned off again by the pressure switch. Check that the pumping time agrees with the technical specifications for the actual compressor system.

Please note that the pumping time in this manual is given for 0 to max pressure. Deviations from this result in deviating results.

Important

Always test the pumping time when cold. If the compressor is warm, the pumping time will be considerably longer.

FAULT FINDING AND REPAIR

Important

Switch off and isolate from electrical supply before removing any parts from the pump. Empty air receiver of air before performing any operation on the compressors' pressure system.

1. Compressor does not start

- The air receiver is pressurized. The motor will start when the pressure has dropped to the preset start pressure. Empty the receiver.
- Check that the mains supply agrees with the motor label.
- No power from mains. Check fuses and plug.
- Bad connection or broken cable.
- The motor is overheated and the thermal protection has switched it off. When cooled the motor will turn on automatically. Go to section 5.
- The compressor has not been unloaded and there is back pressure on the piston. Ensure that the compressor is unloaded each time it stops.
- The motor is blocked.
- Defective capacitor.

2. The compressor makes a buzzing sound but does not start

- Leaky non-return valve. Dismount the pressure pipe and check if air leaks from the non-return valve. Clean and replace.
- The motor is blocked.

3. The compressor runs but the pressure does not increase

- Intake filter clogged. Replace.
- Non-return valve is clogged. Clean or replace.
- Leaks in fittings, tubes or pneumatic equipment. Check with soapy water or by letting unit stay over night disconnected from mains. Pressure drop should not exceed 1 bar.
- Check the piston gaskets. Replace if necessary.
- Defective valve plate. Contact your JUN-AIR distributor.

4. The motor gets very hot

- The ambient temperature is too high. If the motor is installed in a cabinet sufficient ventilation must be ensured.
- Leaks in fittings, tubes or pneumatic equipment. Check with soapy water or by letting unit stay over night disconnected from mains. Pressure drop should not exceed 1 bar.
- The compressor is overloaded.

5. The compressor runs even if no air is tapped

- Leaks in fittings, tubes or pneumatic equipment. Check with soapy water or by letting unit stay over night disconnected from mains. Pressure drop should not exceed 1 bar.

6. The compressor does not start at min pressure or does not stop at max pressure.

- Defective pressure switch. Replace.

PRESSURE VESSEL

Pressure tested at	14-25 litre 24 bar
	4-50 litre 18.3 bar

Directions for use

Application	Receiver for compressed air
Receiver specifications	See name plate
Installation	Tubes, etc. must be installed with suitable materials
	Observe the working temperature of the receiver
Placement	Ensure sufficient room for inspection and maintenance
	The receiver must be kept in a horizontal position
	The surface treatment must be maintained as required
Corrosion protection	Internal inspection at least every five years
	Drain condensate at least once a week
Alternation/repair	No welding must be made on pressurized parts
	Ensures that PS will not be exceeded
	Never adjust to a higher pressure than PS
Safety valve	The capacity of the valve must be calculated in accordance with the volume of air supplied by the compressor
	PS - Maximum working pressure of the receiver

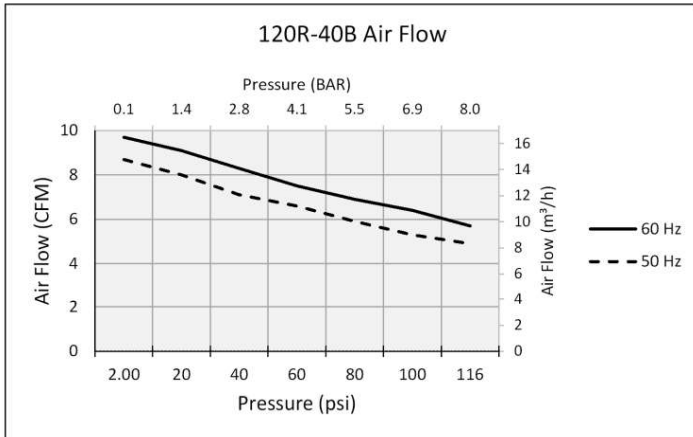
Technical Data & Specifications

Specifications		120R-40B	120R-40BQ3	2x120R-90BQ6
Tank size	liter	40	40	90
	U.S. gallon	10.6	10.6	24
Weight	kg	55	66	102
	lbs	120	144	225
Dimensions (LxWxH)****	mm	556 x 443 x 678	556 x 581 x 678	1026 x 592 x 890
	in	21.9 x 17.4 x 26.7	21.9 x 22.9 x 26.7	40.4 x 23.3 x 35.0
Pumping time	@ 50 Hz	85 sec.	110 sec.	124 sec.
	@ 60 Hz	72 sec.	95 sec.	107 sec.
Noise level @ 1 m	@ 50 Hz	76 dB(a)	76 dB(a)	79 dB(a)
	@ 60 Hz	79 dB(a)	79 dB(a)	82 dB(a)

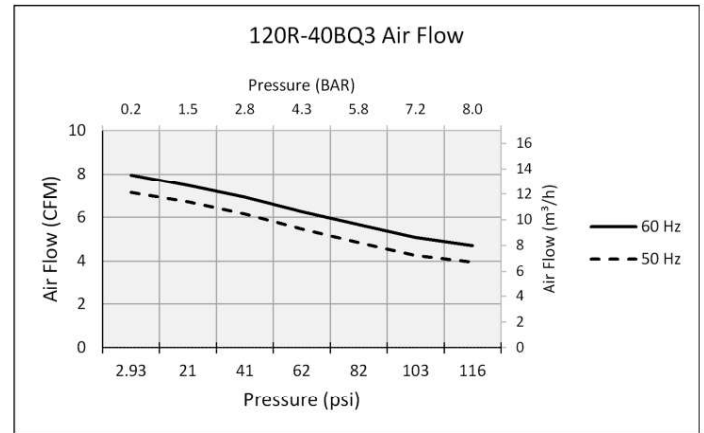
**** Three-phase units are approximately 100 mm wider than one-phase units.
 Technical modifications reserved.

Performance Curves

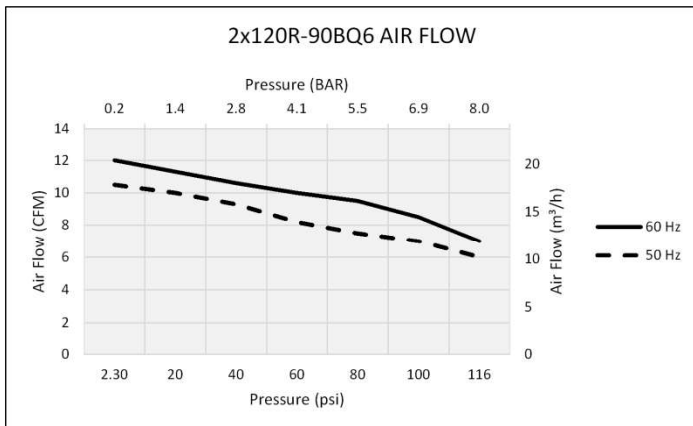
PRODUCT PERFORMANCE:



PRODUCT PERFORMANCE:





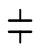
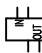
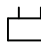


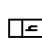
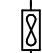
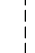
PRODUCT PERFORMANCE:

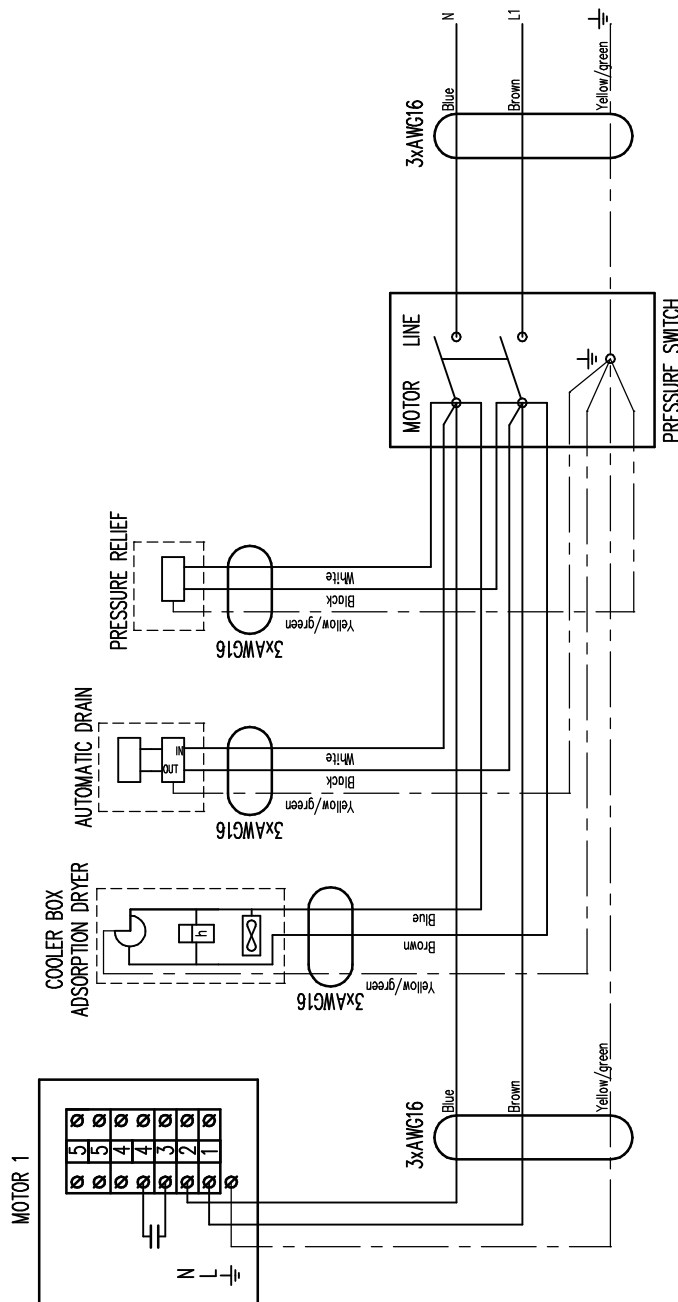


Electrical Drawing Model 120R-40B – 230 V, 50/60 Hz

SPECIFICATION

Motor Spec.
 120R, 230 V-50 Hz – 8 A
 120R, 230 V 60 Hz – 10 A

-  : Earth
-  : Terminal clip
-  : Capacitor
-  : Autodrain timer
-  : Solenoid valve
-  : Motor protection
-  : Cam timer/cam disc 120V/230V
-  : Hour counter 120V/230V-0.03A
-  : Fan 120V-0.25A/230V-0.2A-33W
-  : Additional features

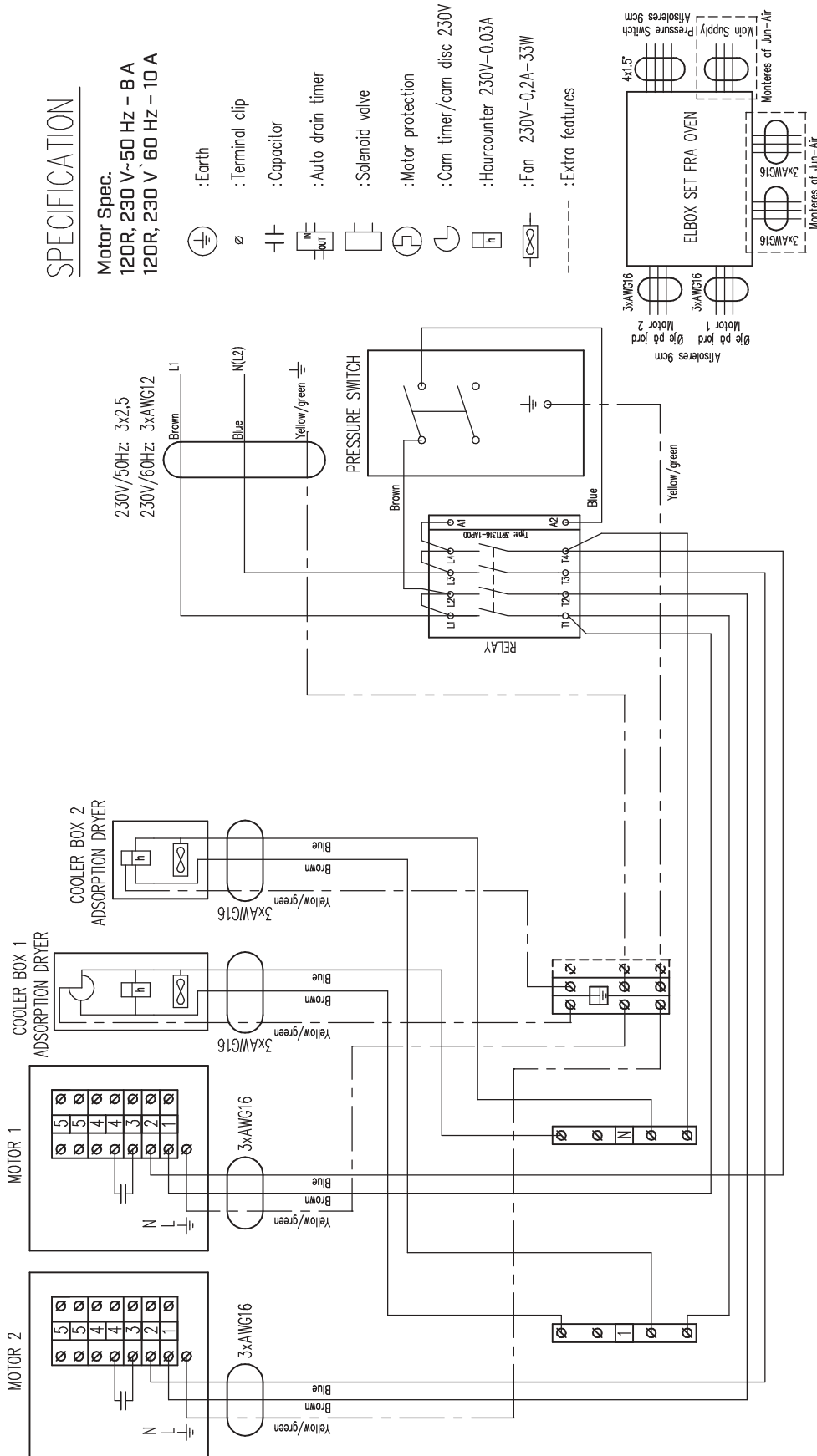


Electrical Drawing Model 120R-90BQ6






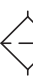





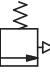



SPECIFICATION

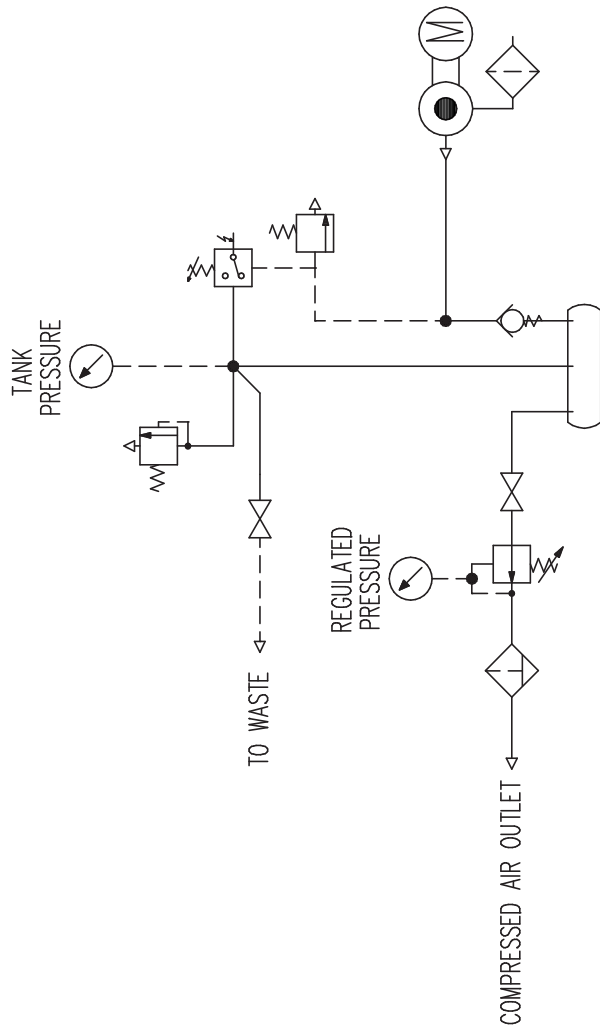
Motor Spec.
 120R, 230 V-50 Hz - 8 A
 120R, 230 V-60 Hz - 10 A

- : Earth
- : Terminal clip
- : Capacitor
- : Auto drain timer
- : Solenoid valve
- : Motor protection
- : Cam timer/cam disc 230V
- : Hourcounter 230V-0.03A
- : Fan 230V-0.2A-33W
- : Extra features

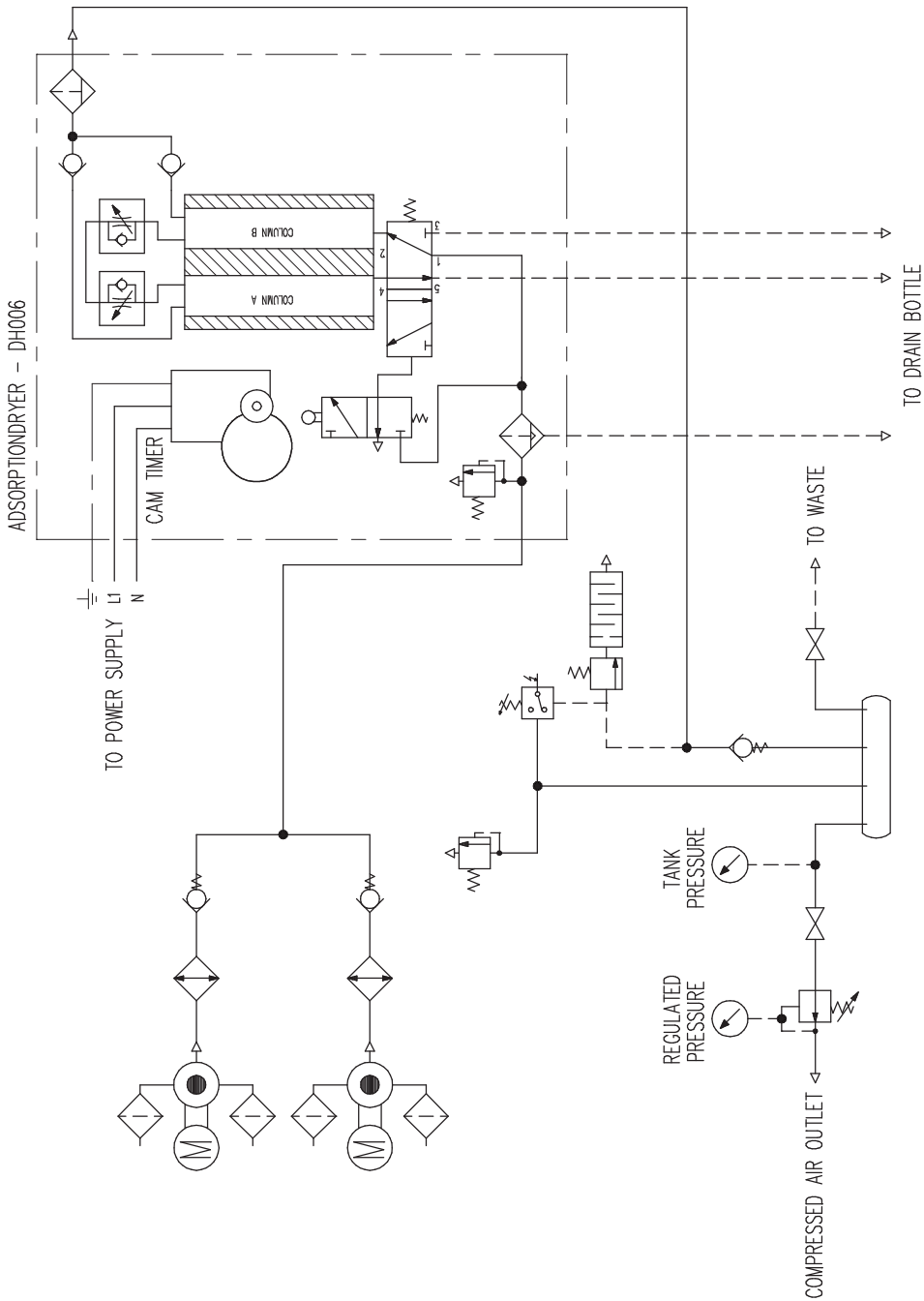


Pneumatic Diagram Model 120R-40B

-  : Working pipe
-  : Steering pipe
-  : Pipe coupling
-  : Compressor
-  : Tank
-  : Inlet filter
-  : Pressure gauge
-  : Pressure switch
-  : Safety valve
-  : Non-return valve
-  : Filter without automatic drain
-  : Valve for pressure relief
-  : Reduction valve
-  : Valve
-  : Muffler

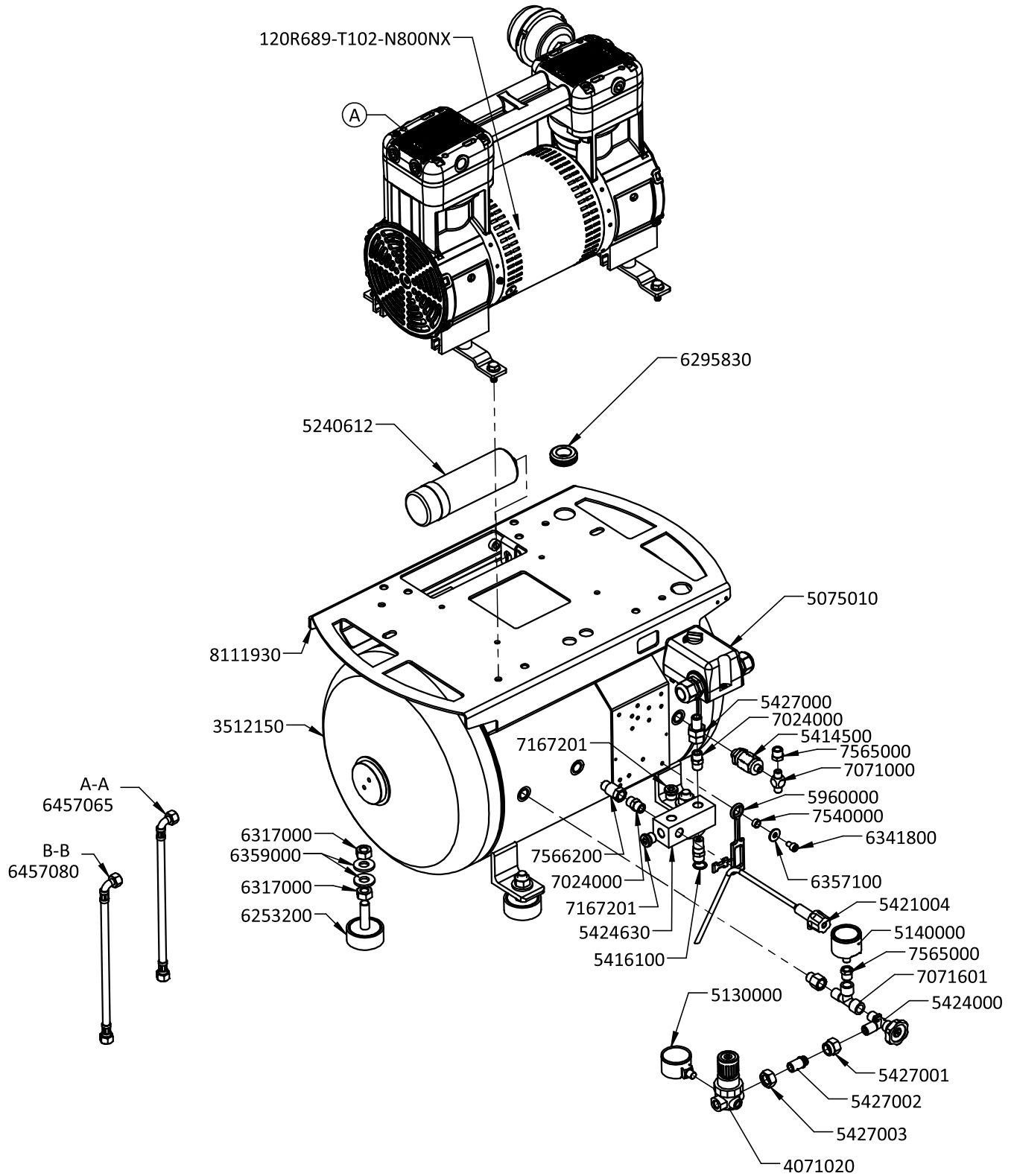


Pneumatic Diagram Model 120R-90BQ6



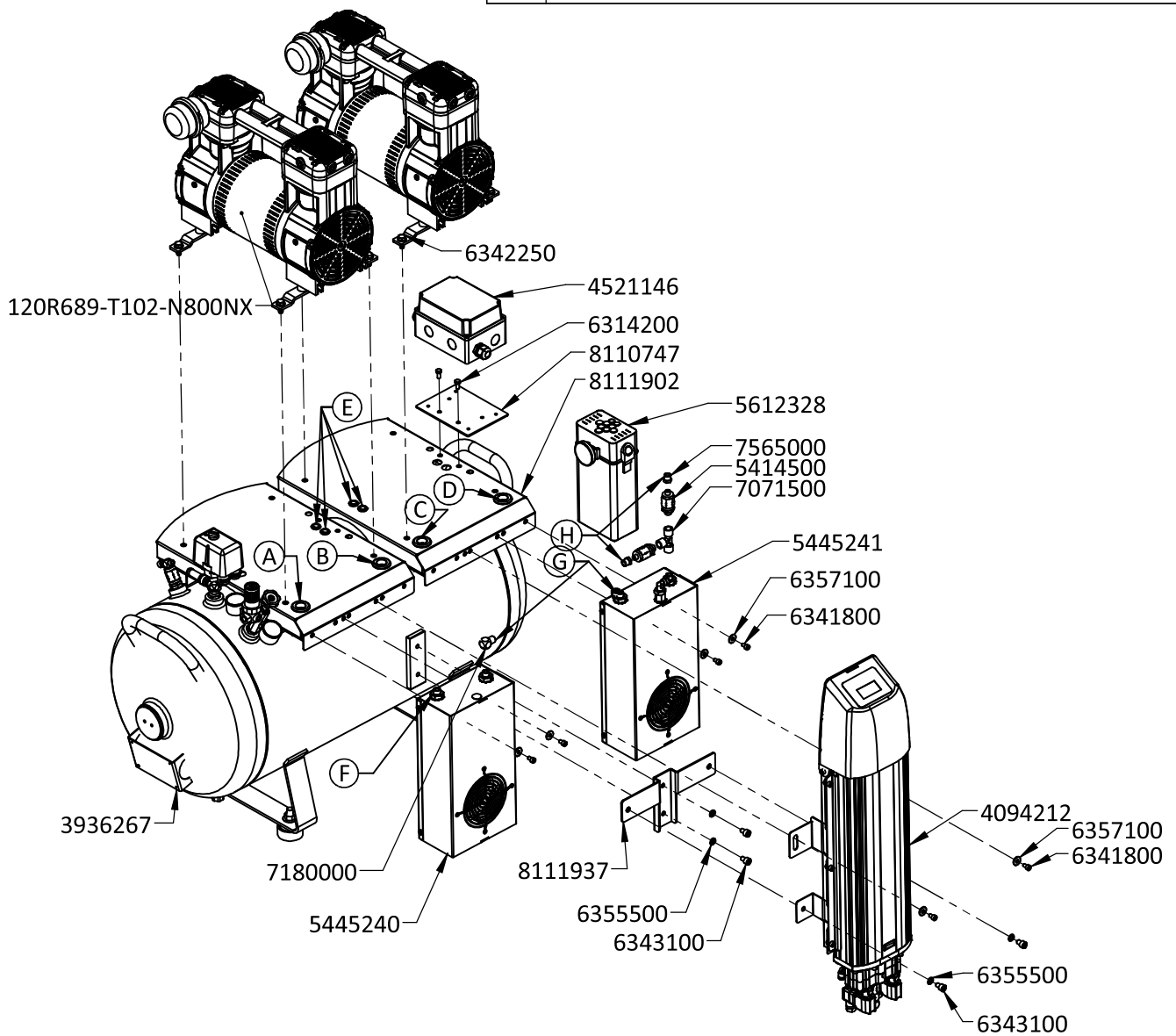
- : Working pipe
- : Steering pipe
- : Pipe coupling
- : Compressor
- : Tank
- : Inlet filter
- : Pressure gauge
- : Pressure switch
- : Safety valve
- : Non-return valve
- : Filter without automatic drain
- : Valve for pressure relief
- : Reduction valve
- : Valve
- : Filter with automatic drain
- : Cooler
- : 3/2 valve
- : 5/2 valve
- : Counter with reducer
- : Counter valve
- : Muffler

Spare Parts: OF1202-40B



Spare Parts: 2x120R-90BQ6

LETTER	ATTACHMENT OR PASS THRU LOCATION
A	CABLE FROM PRESSURE SWITCH TO DRYER
B	HOSE FROM PS SIDE MOTOR TO FAN/RADIATOR BOX W/UNLOADER VALVE
C	CABLE FROM DRYER TO FAN/RADIATOR BOX W/UNLOADER VALVE
D	CABLE FROM TERMINAL BOX TO DRYER
E	CABLES FROM MOTOR(S) TO CAPACITOR(S) & TERMINAL BOX
F	BRAIDED HOSE TO DRYER
G	BRAIDED HOSE CONNECTING FAN/RADIATOR BOXES
H	NON-RETURN VALVES W/T-FITTING CONNECTING 1 HOSE FROM EACH MOTOR



Gast Manufacturing

2300 M139 Highway
Benton Harbor, MI 49023
Ph: 269-926-6171
Fax: 269-927-0808

Gast Group Ltd.

Unit 11, The I O Centre
Nash Road
Redditch, B98 7AS
United Kingdom
Phone +44 (0)1527-504040
Fax +44 (0)1527-525262

www.JUN-AIR.com

JUN-AIR[®]
A BRAND OF **GAST**[®]