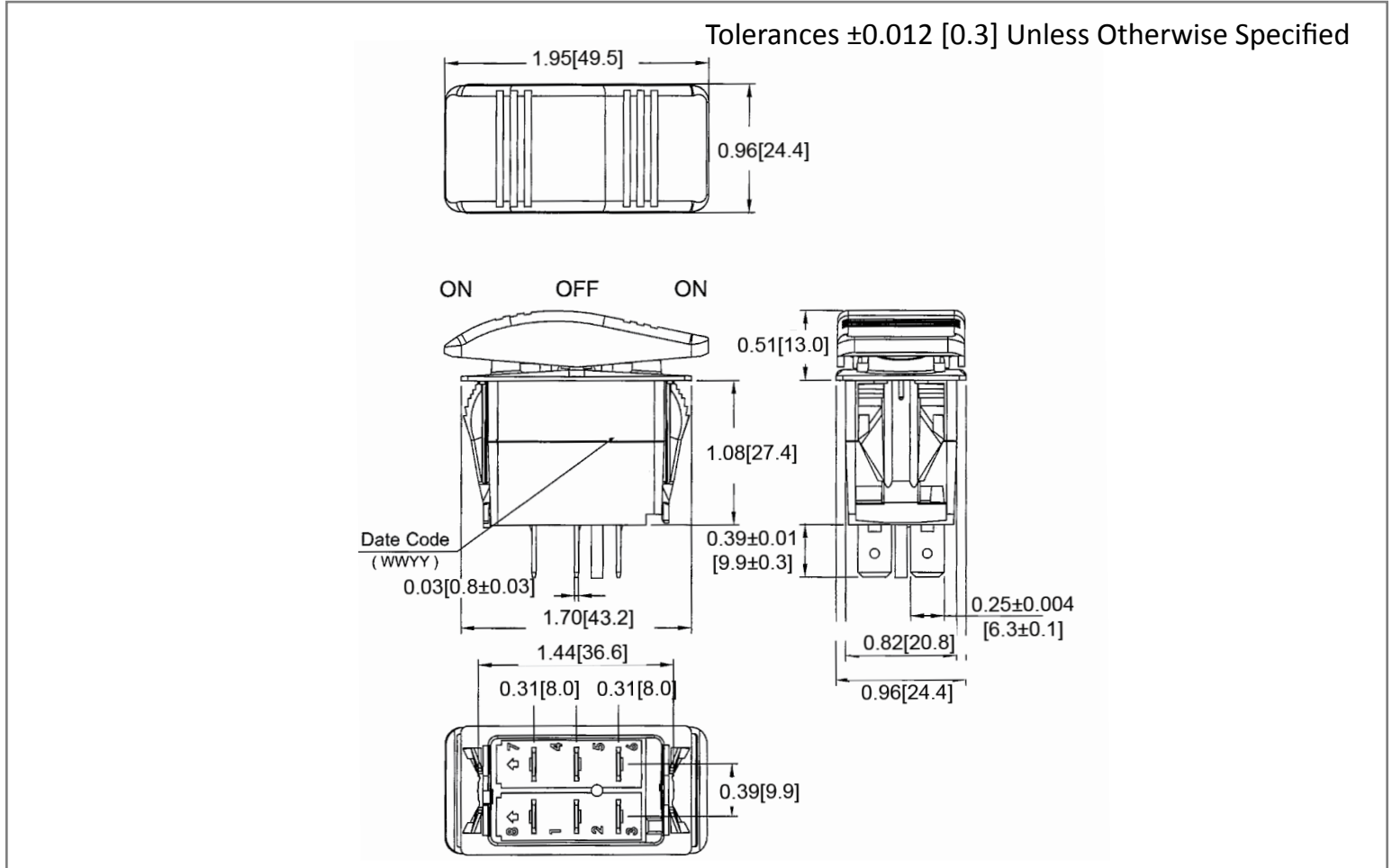
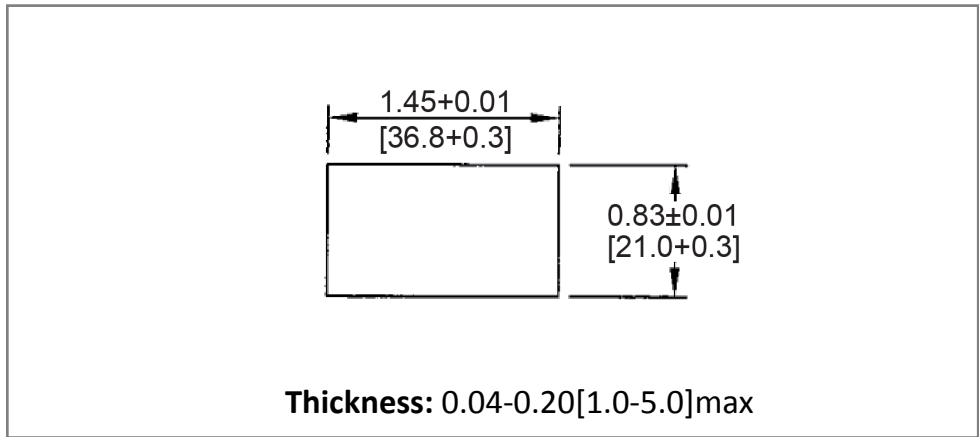


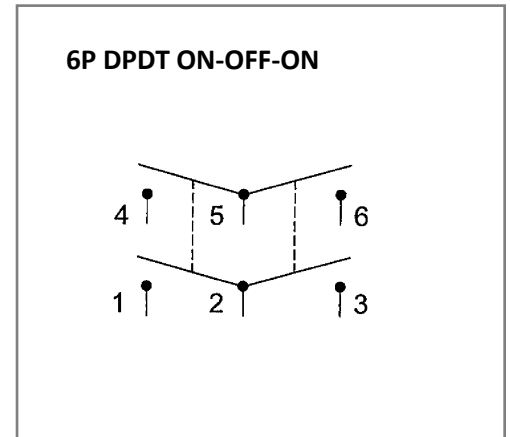
Mechanical Dimensions: Inches [mm]



Mounting Hole



Circuit Diagram



Electrical Specifications

DC Rating	21A 14V DC; 15A 28V DC
AC Rating	20A 125V AC, 10A 250V AC
Contact Resistance	50m ohm Max
Insulation Resistance	DC 500V 100M ohm Min
Dielectric Strength	AC 1500V 1 minute

Material Specifications

Frame	Black, Nylon 66 (94V-2)
Actuator	Red, Nylon 66 (94V-2)
Terminals	Silver plated copper
Ingress Protection	IP56
Operation Temperature	-25°C~85°C

Rev	Date of issue	Revision Notes	Designed	Approved
C	11-10-2025	Added additional ratings	RC	OF