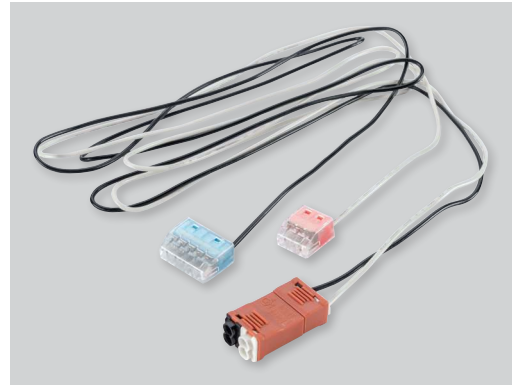




# DIRECT DRIVE LED

LINE VOLTAGE T8 TUBES

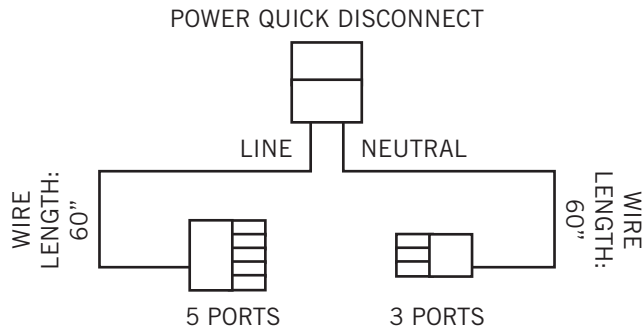


## WIRING HARNESS

RETROFIT ACCESSORIES

### 8' STRIP APPLICATIONS

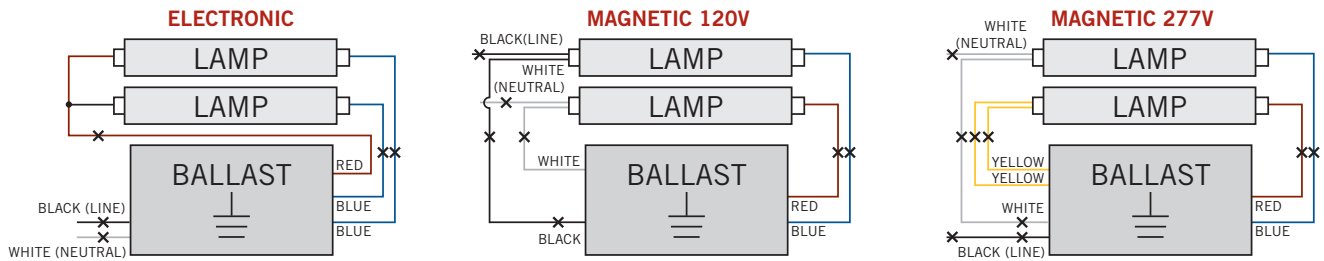
CATALOG NUMBER	DESCRIPTION
KT-WH-FA8-2L	2-Lamp Wiring Harness for Single Pin 8' LED Tubes; Compatible with Existing Electronic or Magnetic Ballast Wired Fixtures



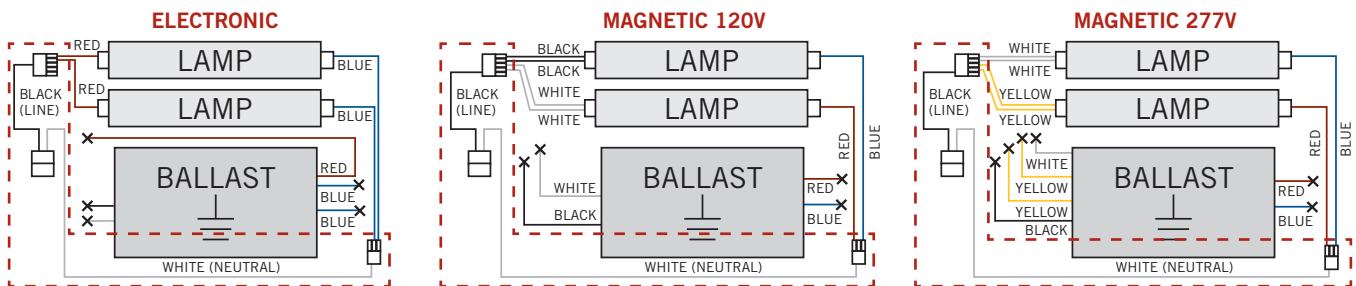
### WIRING APPLICATIONS

1. Identify ballast configuration as shown below and cut all wires connected to the ballast accordingly.

#### Typical Ballast Configurations:



2. Rewire the fixture using existing lampholders and new wiring harness as shown below, according to the original ballast wiring configuration.



----- WIRING HARNESS CONTENTS

# WIRING HARNESS INSTALLATION INSTRUCTIONS

## ELECTRONIC

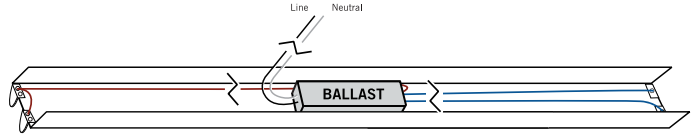
### STEP 1

Disconnect power to the circuit. Remove existing lamps and ballast cover.



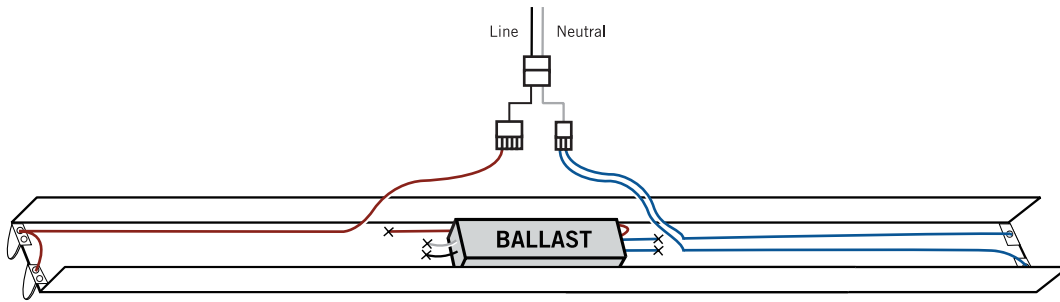
### STEP 2

Cut all wire connections from ballast and twist off with wire nut.



### STEP 3

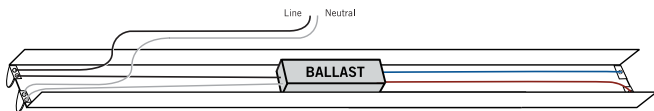
Connect wire colors as shown below.



## MAGNETIC 120V

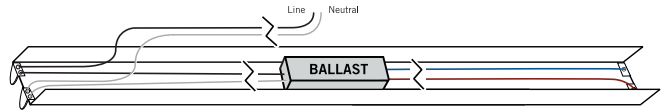
### STEP 1

Disconnect power to the circuit. Remove existing lamps and ballast cover.



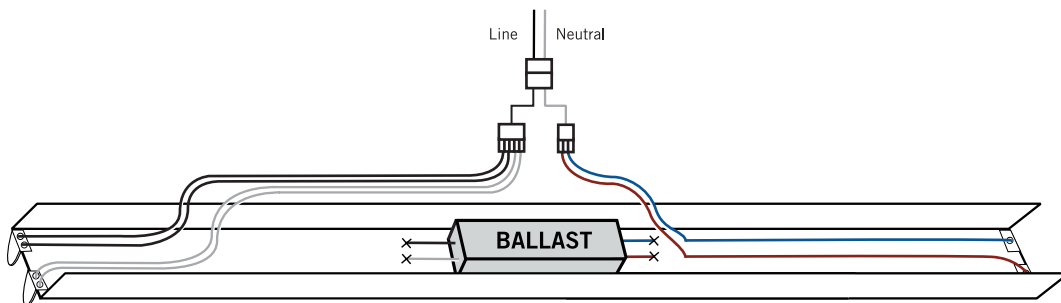
### STEP 2

Cut all wire connections from ballast and twist off with wire nut.



### STEP 3

Connect wire colors as shown below.

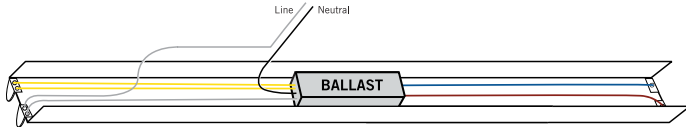


# WIRING HARNESS INSTALLATION INSTRUCTIONS

## MAGNETIC 277V

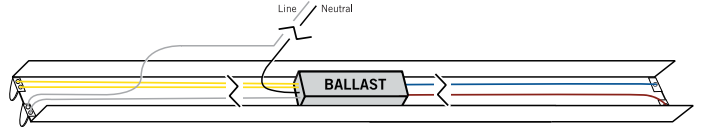
### STEP 1

Disconnect power to the circuit. Remove existing lamps and ballast cover.



### STEP 2

Cut all wire connections from ballast and twist off with wire nut.



### STEP 3

Connect wire colors as shown below.

