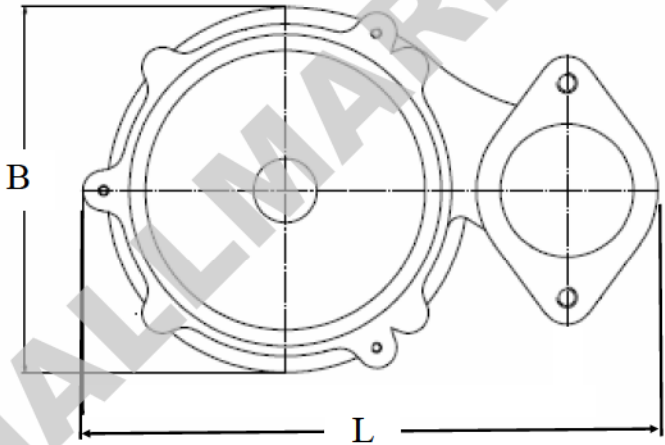
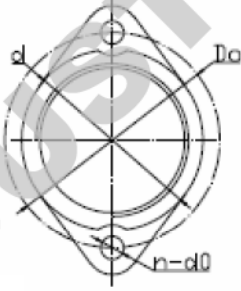
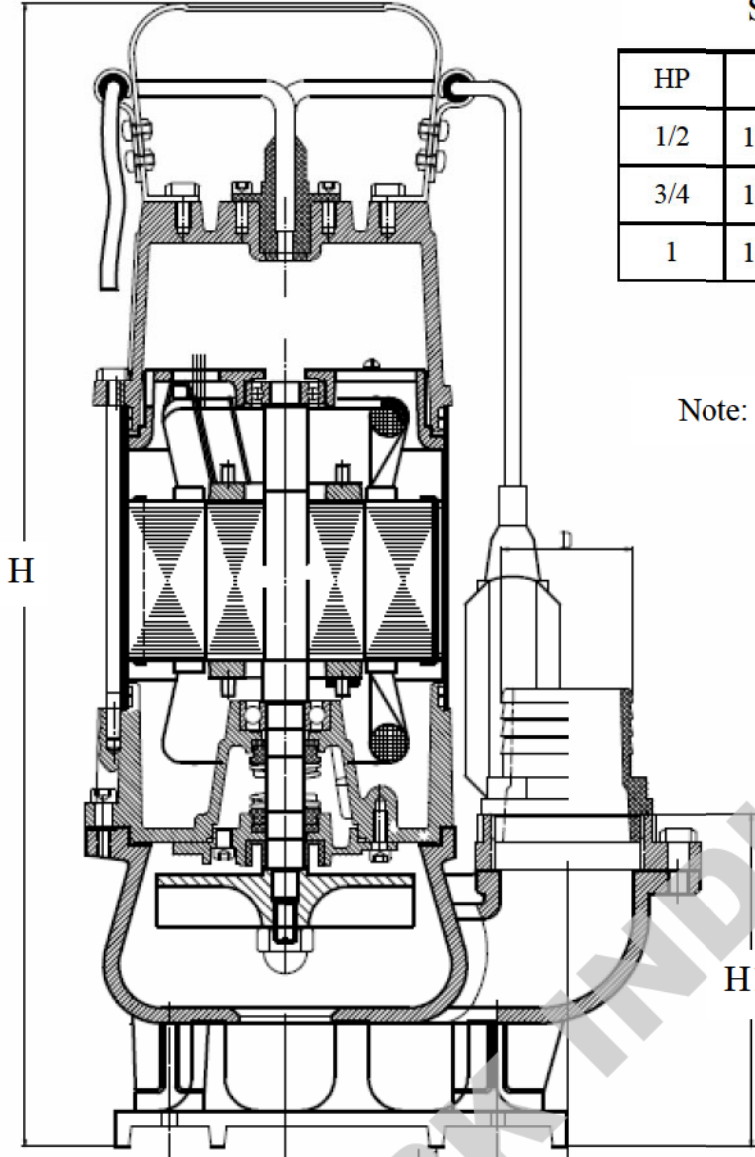


### Sewage Pump Dimensions

HP	H	L	B	H1	L1
1/2	15.75"	7.50"	5.12"	3.93"	3.75"
3/4	17.56"	8.88"	5.51"	5.12"	4.33"
1	19.10"	8.88"	6.30"	5.12"	4.33"

Note: Float switch arm length is adjustable.



**HALLMARK INDUSTRIES, INC.**