

SEALING FITTINGS



DESCRIPTION

Plasti-Bond REDH2OT sealing fittings are used in conduit runs to stop gasses, vapors, or flames from migrating from one part of the conduit system to another. This limits the spread of any potential explosion, enhancing safety. The PVC and urethane coatings of the fittings protect them from corrosive atmospheres so they can continue to function in hazardous locations. These fittings are available in several different configurations and with optional breathers and drains to accommodate installation in a variety of locations and positions. The EYD, EYDX, and EZD styles of fittings are for installation in vertical conduit runs. The EYS and EYSX style fittings are for installation in either vertical or horizontal runs. The EZS style fitting may be used in any angle of conduit run. Plasti-Bond's patented P5SA™ system on sealing fittings allows for a UL-required plug engagement verification. Installers and inspectors can depend on positional feedback ensuring Plasti-Bond urethane-coated plugs are correctly engaged the first time, every time with no compromise to critical corrosion protection.

FEATURES

- 40 mil gray PVC exterior coating
- 2 mil red urethane interior coating
- 10 trade sizes from ½" through 4"
- Sealing sleeves on all conduit openings
- EYDX and EYSX seals have 40% wire fill capacity
- EYD and EZD fittings include a drain for condensate
- EZD fittings may be used at any conduit angle and include drain
- P5SA™ Plug Verification System

STANDARDS

UL 1203 (E476062)

- NEC/CEC
- CSA C22.2 NO.30

EYS 1-3, 11-31, 16-36, 116-316

- Class I, Division 1 & 2, Groups A, B, C, D
- Class II, Division 1, Groups E, F, G
- Class II, Division 2, Groups F, G
- Class III

EYS 41-61, 416-1016, EYSX 11-81, EYDX 11-81

- Class I, Division 1 & 2, Groups B, C, D
- Class II, Division 1, Groups E, F, G
- Class II, Division 2, Groups F, G
- Class III

EYS 29, 4-10, 46-106, EZS 1-8, 16-86, EYD 1-10, 16-106, EZD 10-60, 111-611

- Class I, Division 1 & 2, Groups C, D
- Class II, Division 1, Groups F, G
- Class II, Division 2, Groups F, G
- Class III

EYSX 9-10

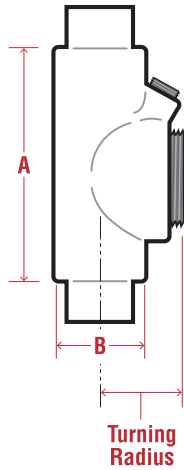
- Class I, Division 1 & 2, Groups C, D
- Class II, Division 1, Groups E, F, G
- Class II, Division 2, Groups F, G
- Class III

These Plasti-Bond REDH₂OT sealing fittings should be used with a suitable system of sealing compound, such as Chico A, Chico X, or Chico A-P from Crouse-Hinds. Chico® SpeedSeal™ may be used on EYS or EYD sizes ½" through 2". Follow the installation instructions included with the sealing compound and properly tag after installation to ensure correct classification ratings.



FEATURING
OUR NEW
INNOVATION
P5SA™

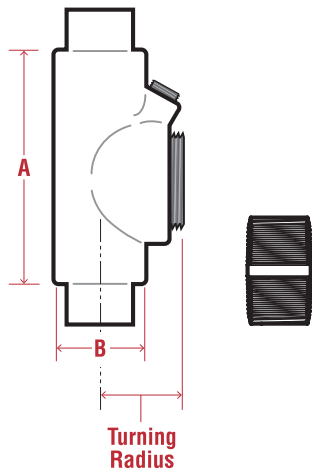
SEALING FITTINGS



EYS - FEMALE HUBS

FOR SEALING IN VERTICAL OR HORIZONTAL POSITIONS

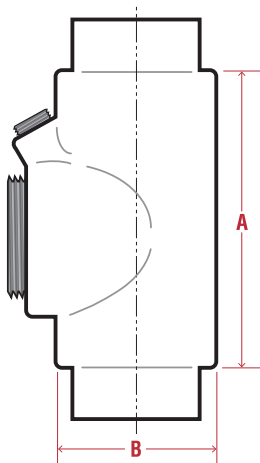
PIPE SIZE	FERROUS CATALOG #	NOMINAL WEIGHT	A	B	TURNING RADIUS	ALUMINUM CATALOG #
1/2"	PREYS11	1.3	3.69	1.33	1.16	PREYS11SA
3/4"	PREYS21	1.1	3.69	1.58	1.25	PREYS21SA
1"	PREYS31	2.2	4.31	1.83	1.38	PREYS31SA



EYS - MALE/FEMALE HUBS

FOR SEALING IN VERTICAL OR HORIZONTAL POSITIONS

PIPE SIZE	FERROUS CATALOG #	NOMINAL WEIGHT	A	B	TURNING RADIUS	ALUMINUM CATALOG #
1/2"	PREYS116	1.5	3.69	1.33	1.16	PREYS116SA
3/4"	PREYS216	1.2	3.69	1.58	1.25	PREYS216SA
1"	PREYS316	2.6	4.31	1.83	1.38	PREYS316SA
1-1/4"	PREYS46	2.8	5.06	2.27	1.72	PREYS46SA
1-1/2"	PREYS56	3.7	5.50	2.52	2.06	PREYS56SA
2"	PREYS66	5.6	6.25	3.08	2.31	PREYS66SA
2-1/2"	PREYS76	13.2	7.50	3.58	2.69	PREYS76SA
3"	PREYS86	11.2	8.50	4.33	3.31	PREYS86SA
3-1/2"	PREYS96	14.5	9.19	4.83	3.44	PREYS96SA
4"	PREYS106	1.5	9.75	5.33	3.69	PREYS106SA



EYSX - EXPANDED FILL FEMALE HUBS

FOR SEALING IN VERTICAL OR HORIZONTAL POSITIONS

PIPE SIZE	FERROUS CATALOG #	NOMINAL WEIGHT	A	B	TURNING RADIUS	ALUMINUM CATALOG #
1/2"	PREYSX11	1.5	3.69	1.58	1.25	PREYSX1SA
3/4"	PREYSX21	2.1	4.31	1.83	1.38	PREYSX2SA
1"	PREYSX31	2.7	5.06	2.27	1.72	PREYSX3SA
1-1/4"	PREYSX41	3.7	6.25	3.08	2.31	PREYSX4SA
1-1/2"	PREYSX51	4.7	6.25	3.08	2.31	PREYSX5SA
2"	PREYSX61	6.7	8.50	4.33	3.31	PREYSX6SA
2-1/2"	PREYSX71	7.7	9.19	4.83	3.44	PREYSX7SA
3"	PREYSX81	8.7	9.75	5.33	3.69	PREYSX8SA
3-1/2"	PREYSX9	9.7	11.06	6.58	4.59	PREYSX9SA
4"	PREYSX10	10.7	11.06	6.58	4.59	PREYSX10SA