



KT-LED8RD-4XX-9CSF-DIM-X

4" DOWNLIGHT RETROFIT TRIM

DESCRIPTION

4" Downlight Retrofit Trim | Color Select Technology | Quick-Disconnect E26 Base | White or Black Available

APPLICATION

Ideal for residential, hospitality, retail, and other retrofit and new construction applications



PRODUCT FEATURES

- Keystone Color Select technology (2700/3000/3500/4000/5000K)
- Includes quick-disconnect E26 base adaptor for easy, screw-in install
- Improved aesthetics vs legacy trims
- Ideal for retrofit and remodel applications
- Smooth and baffled trims available
- Diffused lens for visual comfort and reduced glare
- Smooth, uniform dimming
- Suitable for use in wet locations
- Suitable for use in 4" recessed cans
- PF > 0.98
- Operating temperature range: -4°F/-20°C to 95°F/35°C
- UL 1598C Retrofit Kit
- UL 1993 Recognized Component
- T20/T24/JA8 compliant
- Complies with Part 15 of FCC

PRODUCT IMAGES





KT-LED8RD-4XX-9CSF-DIM-X

4" DOWNLIGHT RETROFIT TRIM

PERFORMANCE SPECIFICATIONS

Catalog Number	Wattage	CCT (Selectable)*	Lumen Output	Efficacy	Input Voltage	Power Factor	Beam Angle	CRI	Lifetime
KT-LED8RD-4C-9CSF-DIM	8W	2700K	710	89 lm/W	120V	> 0.9	95°	> 90	50,000 hrs
		3000K	720	90 lm/W					
		3500K	730	91 lm/W					
		4000K	730	91 lm/W					
		5000K	720	90 lm/W					
KT-LED8RD-4CB-9CSF-DIM	8W	2700K	700	88 lm/W	120V	> 0.9	95°	> 90	50,000 hrs
		3000K	710	89 lm/W					
		3500K	720	90 lm/W					
		4000K	720	90 lm/W					
		5000K	710	89 lm/W					
KT-LED8RD-4C-9CSF-DIM-B KT-LED8RD-4CB-9CSF-DIM-B	8W	2700K	710	89 lm/W	120V	> 0.9	95°	> 90	50,000 hrs
		3000K	730	91 lm/W					
		3500K	750	94 lm/W					
		4000K	750	94 lm/W					
		5000K	730	91 lm/W					

* Preset to lowest CCT: 2700K

Color Uniformity: CCT (Correlated Color Temperature) range as per guidelines outlined in ANSI C78.377-2017



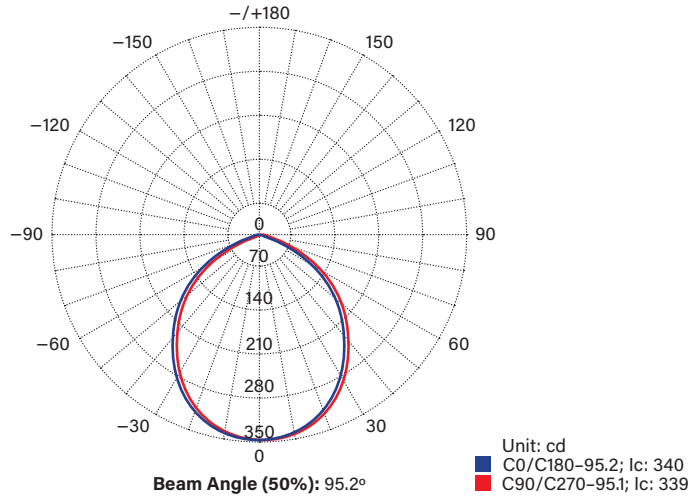
KT-LED8RD-4XX-9CSF-DIM-X

4" DOWNLIGHT RETROFIT TRIM

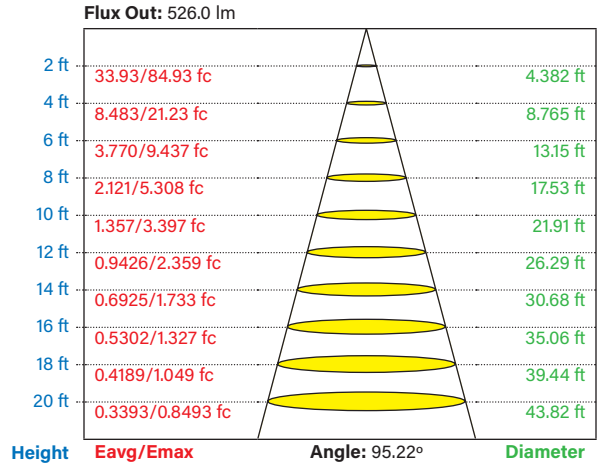
PHOTOMETRIC SPECIFICATIONS

KT-LED8RD-4C-9CSF-DIM

POLAR CANDELA DISTRIBUTION



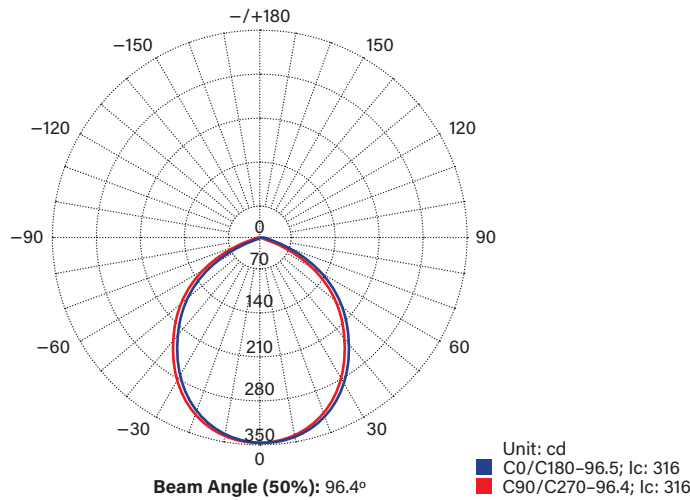
LUX DISTANCE CURVE



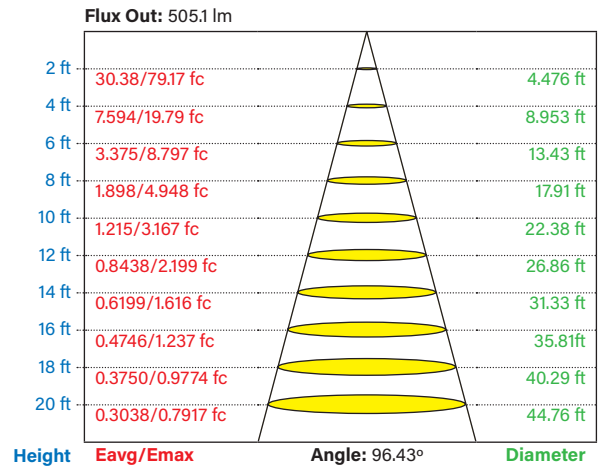
Curves show illuminated area and average illumination when lamp is at various distances.

KT-LED8RD-4CB-9CSF-DIM

POLAR CANDELA DISTRIBUTION



LUX DISTANCE CURVE



Curves show illuminated area and average illumination when lamp is at various distances.



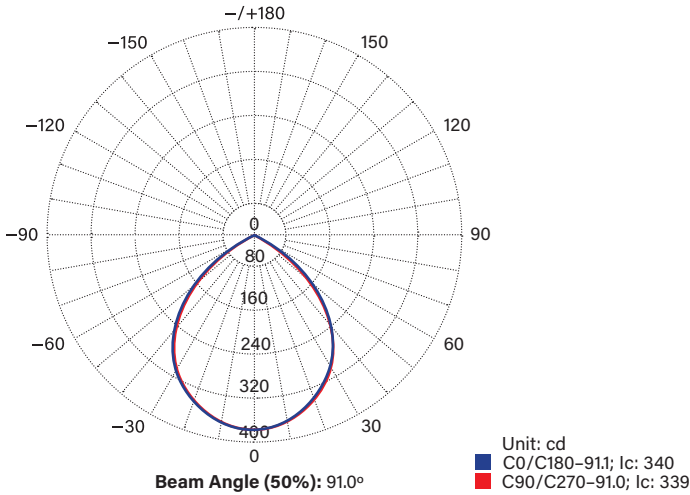
KT-LED8RD-4XX-9CSF-DIM-X

4" DOWNLIGHT RETROFIT TRIM

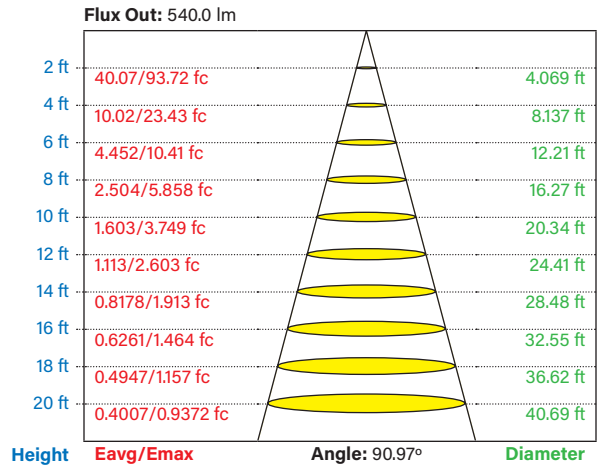
PHOTOMETRIC SPECIFICATIONS (CONTINUED)

KT-LED8RD-4C-9CSF-DIM-B

POLAR CANDELA DISTRIBUTION



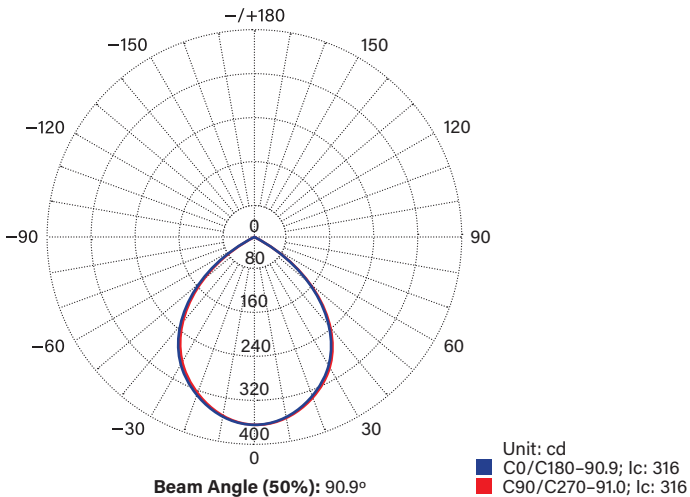
LUX DISTANCE CURVE



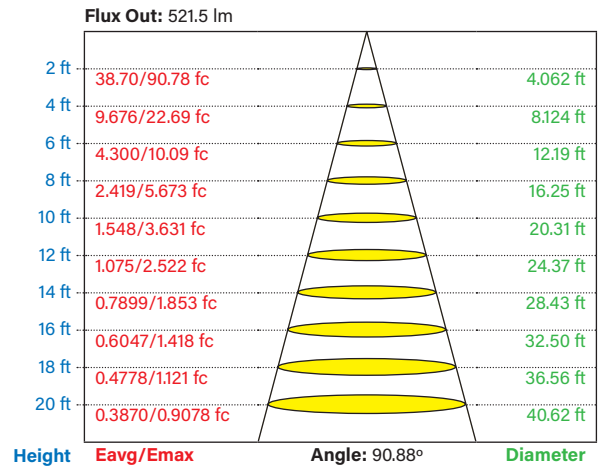
Curves show illuminated area and average illumination when lamp is at various distances.

KT-LED8RD-4CB-9CSF-DIM-B

POLAR CANDELA DISTRIBUTION



LUX DISTANCE CURVE



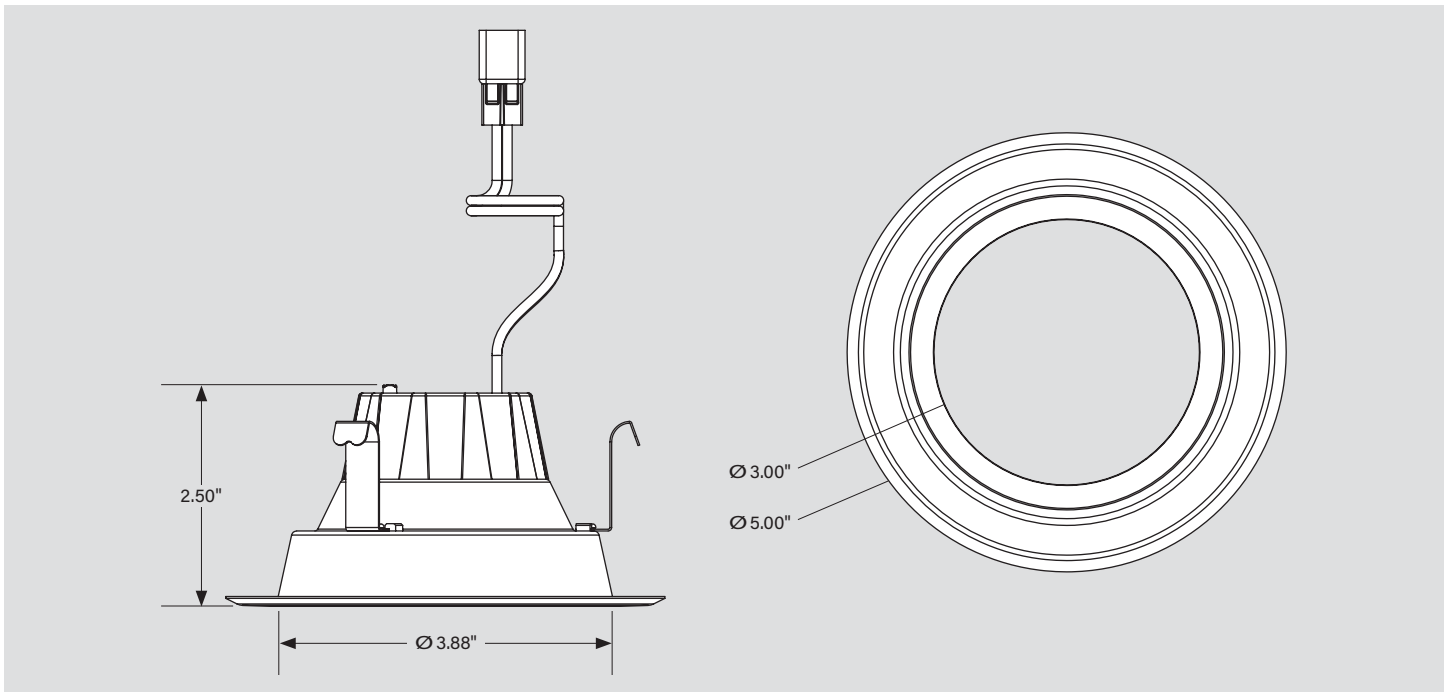
Curves show illuminated area and average illumination when lamp is at various distances.

KT-LED8RD-4XX-9CSF-DIM-X

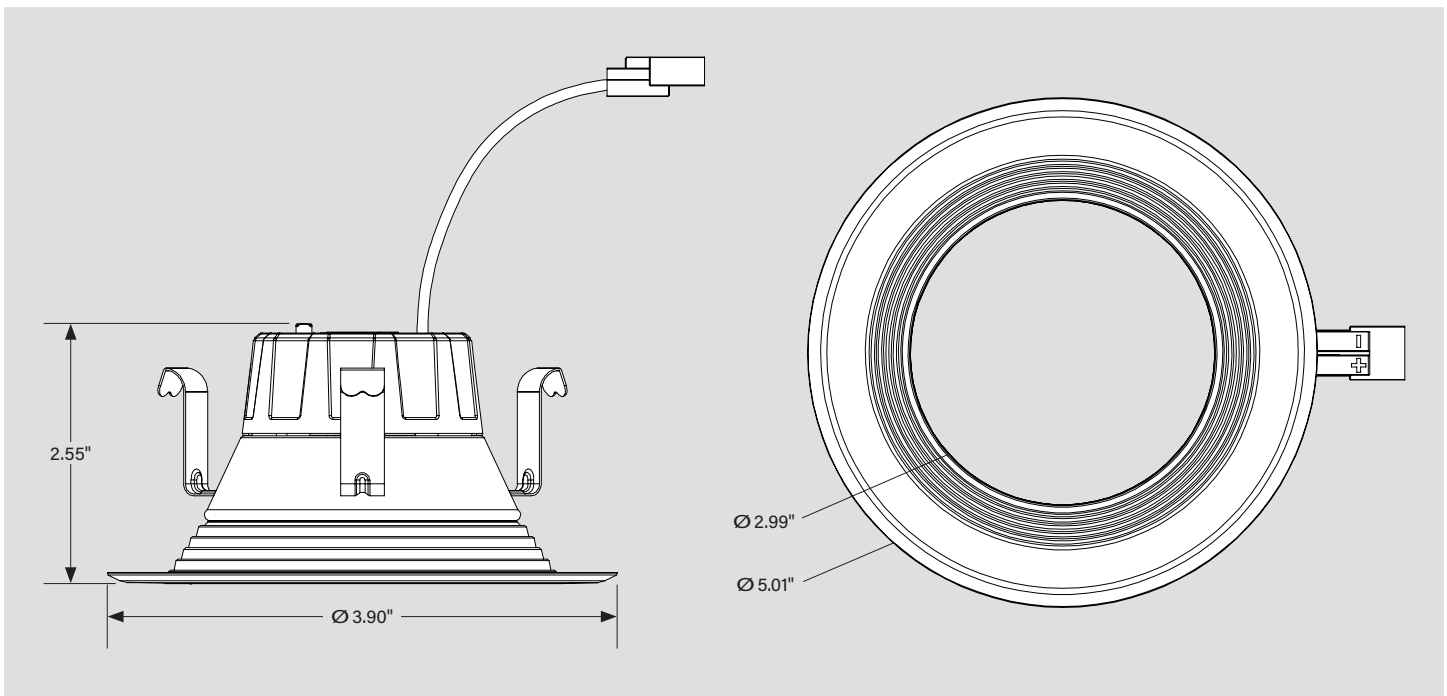
4" DOWNLIGHT RETROFIT TRIM

PHYSICAL SPECIFICATIONS

KT-LED8RD-4C-9CSF-DIM-X (SMOOTH TRIM)



KT-LED8RD-4CB-9CSF-DIM-X (BAFFLED TRIM)





KT-LED8RD-4XX-9CSF-DIM-X

4" DOWNLIGHT RETROFIT TRIM

COLOR SELECT (CCT) ADJUSTMENT

This fixture is equipped with field-adjustable Keystone Color Select technology.

1. Ensure power is off to the fixture.
2. Adjust dip switch to desired setting.

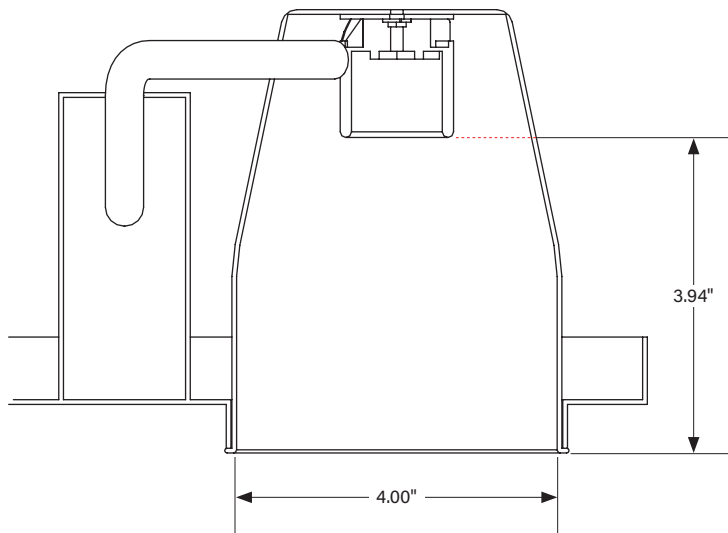


COLOR SELECT ADJUSTMENT SWITCH

Set dip switch to adjust CCT between 2700K, 3000K, 3500K, 4000K, and 5000K. Fixture comes preset at 2700K.

INSTALLATION INSTRUCTIONS

The existing luminaire housing must be equal to or larger than over-all inner dimensions illustrated below.



(Installation Instructions continued on next page)

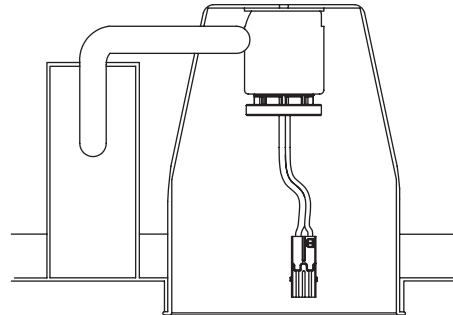
KT-LED8RD-4XX-9CSF-DIM-X 4" DOWNLIGHT RETROFIT TRIM

INSTALLATION INSTRUCTIONS (CONTINUED)

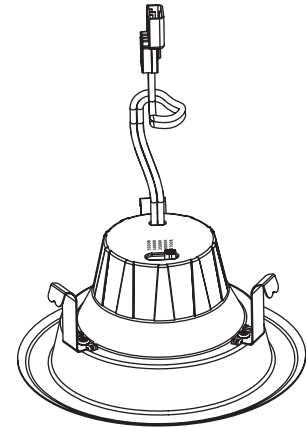
- 1. Shut off power at the source of the recessed housing into which you are installing fixture.** Remove existing trim and CFL or incandescent bulb.

Note: Follow all federal and local regulations when disposing of lamps and removed components.

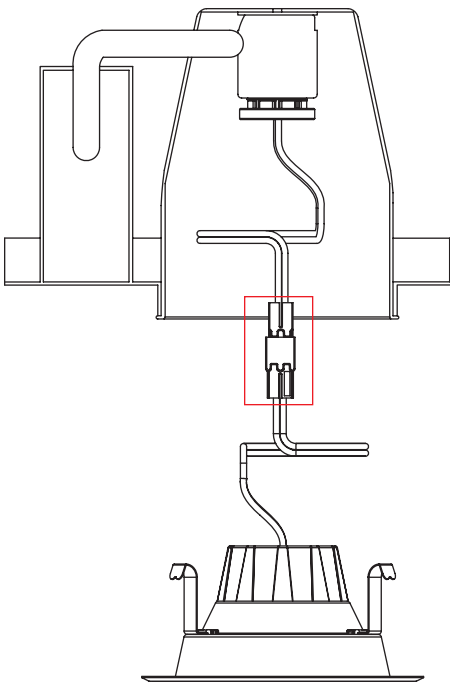
- 2. Screw the E26 adaptor into the socket inside the housing.**



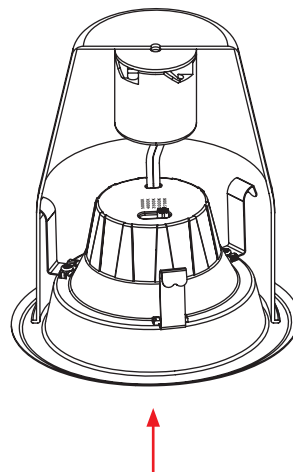
- 3. Select desired CCT using adjustment switch on driver box (see *Color Select (CCT) Adjustment* on page 3).**



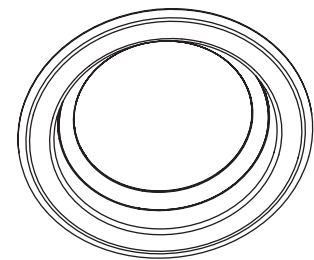
- 4. Plug E26 base cable connection into the recessed housing.**



- 5. Carefully route wires into fixture, sliding the trim and friction clips into the housing.**



- 6. Push the LED trim into the ceiling until trim is flush with ceiling. Restore power to the fixture.**





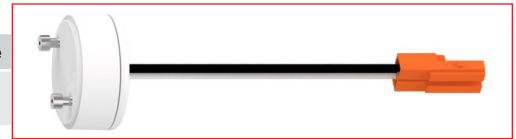
KT-LED8RD-4XX-9CSF-DIM-X

4" DOWNLIGHT RETROFIT TRIM

OPTIONAL ACCESSORIES (SOLD SEPARATELY)

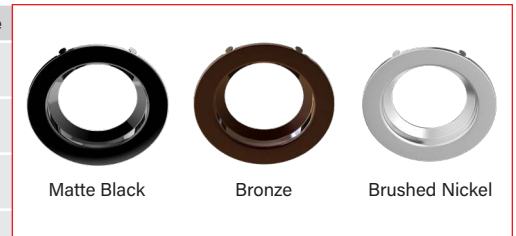
GU24 ADAPTOR

Catalog Number	Description	UPC	Easy Code
KT-ADPT-RD-GU24	GU24 Adaptor for downlight retrofit trim	843654137568	WTQ-04



INTERCHANGEABLE TRIM

Catalog Number	Description	UPC	Easy Code
KT-TRIM-RD-4C-MB	4" Interchangeable trim for 4" circular downlight retrofit trim; Matte black	843654137575	WXP-47
KT-TRIM-RD-4CB-MB	4" Interchangeable Trim for Baffled 4" Residential Circular Downlight, Matte Black	843654140735	UCH-61
KT-TRIM-RD-4C-BR	4" Interchangeable trim for 4" circular downlight retrofit trim; Bronze	843654137599	NWK-94
KT-TRIM-RD-4CB-BR	4" Interchangeable Trim for Baffled 4" Residential Circular Downlight, Bronze	843654140759	KVX-81
KT-TRIM-RD-4C-BN	4" Interchangeable trim for 4" circular downlight retrofit trim; Brushed nickel	843654137612	UTA-46
KT-TRIM-RD-4CB-BN	4" Interchangeable Trim for Baffled 4" Residential Circular Downlight, Brushed Nickel	843654140773	OGO-41



GOOF RING

Catalog Number	Description	UPC	Easy Code
KT-GOOF-RD-4C	4" Goof ring for 4" circular downlight retrofit trim; 6.7" diameter	843654137636	CSA-39



ORDERING INFORMATION

Catalog Number	UPC	Easy Code	Energy Star ID
KT-LED8RD-4C-9CSF-DIM	843654137407	ZMC-49	3555648
KT-LED8RD-4C-9CSF-DIM-B	843654167824	JKD-39	3942820
KT-LED8RD-4CB-9CSF-DIM	843654140711	OXK-30	3555648
KT-LED8RD-4CB-9CSF-DIM-B	843654167831	IKB-21	3942820



KT-LED8RD-4XX-9CSF-DIM-X

4" DOWNLIGHT RETROFIT TRIM

CATALOG NUMBER BREAKDOWN

KT-LED8RD-4XX-9CSF-DIM-X

1 2 3 4 5 6 7 8 9 10 11

<p>1 Keystone Technologies</p> <p>2 LED Technology</p> <p>3 Wattage</p> <p>4 Fixture Type</p> <p>5 Nominal Size</p> <p>6 Shape</p> <p>7 CRI</p> <p>8 Color Select</p> <p>9 Color Select Designation</p> <p>10 TRIAC Dimming</p> <p>11 Housing Color</p>	<p>4 Fixture Type</p> <table border="1" style="border-collapse: collapse; width: 100%;"> <tr> <td style="padding: 2px 5px;">RD</td> <td style="padding: 2px 5px;">Recessed Downlight</td> </tr> </table>	RD	Recessed Downlight	<p>5 Nominal Size</p> <table border="1" style="border-collapse: collapse; width: 100%;"> <tr> <td style="padding: 2px 5px;">4</td> <td style="padding: 2px 5px;">4"</td> </tr> </table>	4	4"	<p>6 Style</p> <table border="1" style="border-collapse: collapse; width: 100%;"> <tr> <td style="padding: 2px 5px;">C</td> <td style="padding: 2px 5px;">Circular</td> </tr> <tr> <td style="padding: 2px 5px;">CB</td> <td style="padding: 2px 5px;">Circular Baffled</td> </tr> </table>	C	Circular	CB	Circular Baffled	<p>7 CRI</p> <table border="1" style="border-collapse: collapse; width: 100%;"> <tr> <td style="padding: 2px 5px;">9</td> <td style="padding: 2px 5px;">90</td> </tr> </table>	9	90	<p>9 Color Select Designation</p> <table border="1" style="border-collapse: collapse; width: 100%;"> <tr> <td style="padding: 2px 5px;">F</td> <td style="padding: 2px 5px;">2700/3000/3500/4000/5000K</td> </tr> </table>	F	2700/3000/3500/4000/5000K	<p>11 Housing Color</p> <table border="1" style="border-collapse: collapse; width: 100%;"> <tr> <td style="padding: 2px 5px;"></td> <td style="padding: 2px 5px;">White</td> </tr> <tr> <td style="padding: 2px 5px;">B</td> <td style="padding: 2px 5px;">Black</td> </tr> </table>		White	B	Black
RD	Recessed Downlight																					
4	4"																					
C	Circular																					
CB	Circular Baffled																					
9	90																					
F	2700/3000/3500/4000/5000K																					
	White																					
B	Black																					