

# RESOURCE RFB® SERIES FLOOR BOXES

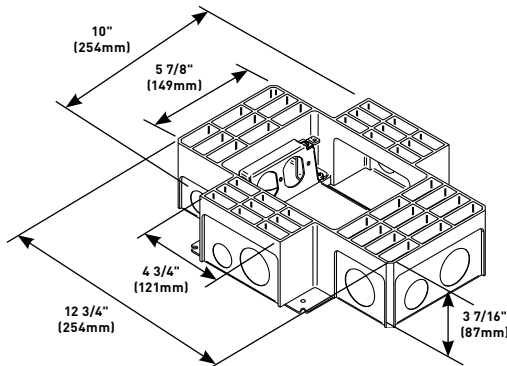
Floor Boxes with Rectangular Activations

## RFB4 and RFB4-4DB Series Multiservice Steel Recessed Floor Boxes Ordering Information

### RFB4 Four-Compartment Combination Box

12 3/4" x 10" x 3 7/16" (324mm x 254mm x 87mm). Fully adjustable with tunnel compartment and two receptacle brackets. **Tunneling from end power compartment to end power compartment only.** Communication brackets not included. All boxes and covers are sold separately.

**NOTE: Only for use in concrete floors.**

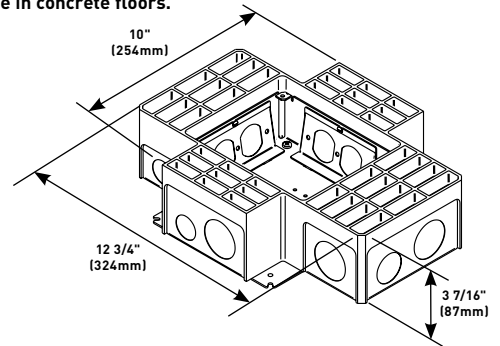


**NOTE: All boxes and activations are sold separately.**

### RFB4-4DB Four-Compartment Box With Four Duplex Receptacle Brackets

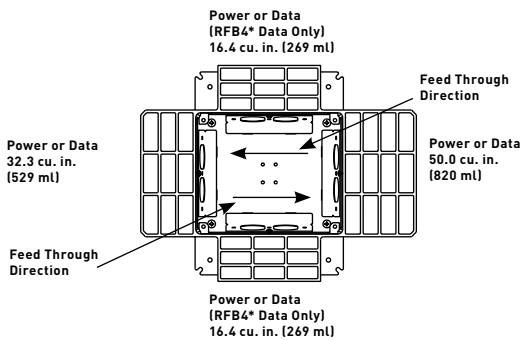
Includes four duplex receptacle brackets. 12 3/4" x 10" x 3 7/16" (324mm x 254mm x 87mm). Fully adjustable. **Tunneling from adjacent or opposite compartments only, (not cross compartments).** Tunneling can be set to feed all four compartments from one conduit in a single-service application. All boxes and covers are sold separately.

**NOTE: Only for use in concrete floors.**



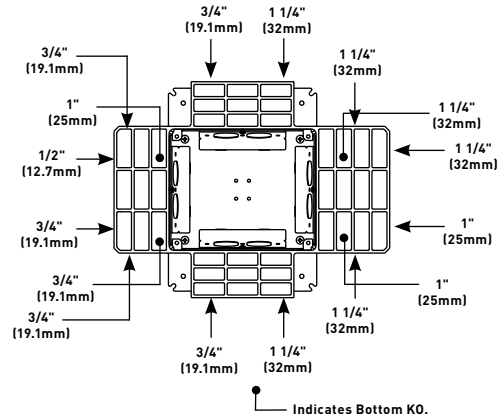
## Resource RFB4 and RFB4-4DB Series Floor Boxes Compartment Capacities, Knockout Locations and Sizes

### Compartment Capacities



**No feed through to opposite data compartment on RFB4.**

### Knockout Locations and Sizes



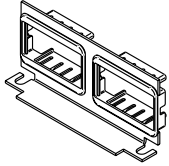
Download this product's PEP ecopassport® environmental product declaration at [www.legrand.us/resources-and-downloads](http://www.legrand.us/resources-and-downloads). This declaration conforms with ISO 14025 and 14040 and is in alignment with EN 15804.

# RESOURCE RFB® SERIES FLOOR BOXES

Floor Boxes with Rectangular Activations

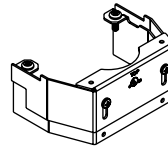
## RFB4-C1-1 Series Multiservice Cast Iron Recessed Floor Box Accessories Ordering Information (continued)

### CILT-2-RT Communication Bracket



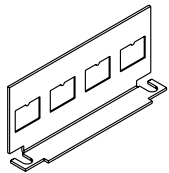
Communication bracket with Ortronics® AB2TJ TracJack and ABS2 Series II adapters included. Accepts Ortronics® workstation connectivity outlets and modular inserts.

### RFBCIKIT Barrier Kit



Barrier kit used with RFB4-CI floor boxes. Kits are sold separately.

### CILT-4TK0 Communication Bracket



Communication bracket with four (4) RJ opening knockouts. Use as blank plate or for up to four RJ openings.

**NOTE: Opening dimension is 9/16" x 3/4" (14.3mm x 19.1mm)**

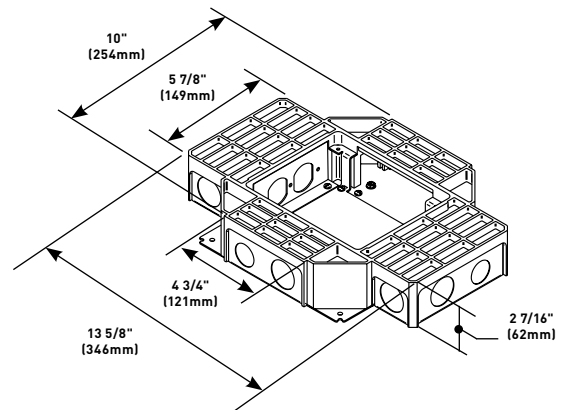
**NOTE: Additional configurations available. Please consult your local Sales Representative for more information.**

## RFB4-SS Multiservice Shallow Steel Recessed Floor Boxes Ordering Information

### RFB4-SS Four-Compartment Shallow Stamped Steel Combination Box

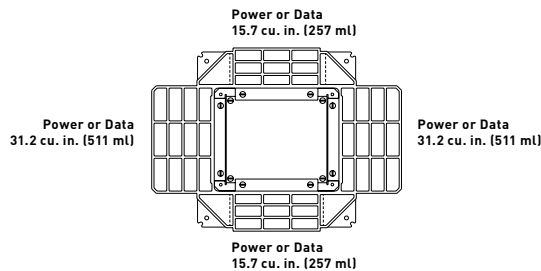
13 5/8" L x 10" W x 2 7/16" D (346mm x 254mm x 62mm). Fully adjustable with tunnel compartment and two (2) receptacle brackets. **Feed through tunneling to adjacent compartments only.** Tunneling can be set to feed all four compartments from one conduit in a single-service application. Communication brackets not included. All boxes and activations are sold separately.

**NOTE: Only for use in concrete floors. All boxes and activations are sold separately.**



## RFB4-SS Series Multiservice Shallow Steel Recessed Floor Boxes Compartment Capacities, Knockout Locations and Sizes

### Compartment Capacities



### Knockout Locations and Sizes

