

Product Specifications

Part Numbers Information

Electrical Specifications

Voltage Rating:

250VAC (100mA-10A)
32VDC (12A-30A)

Operating Temperature:-55°C ~ 125°C

Standards

100mA-10A
200mA-10A
12A-30A



Tested to UL 248-14 Standard. File E197390

Tested to CSA C22.2 No.248.14 Standard. File E197390

CAP 1 DETAIL: UL, CSA, 61NM

CAP 2 DETAIL: 250V XXXXA

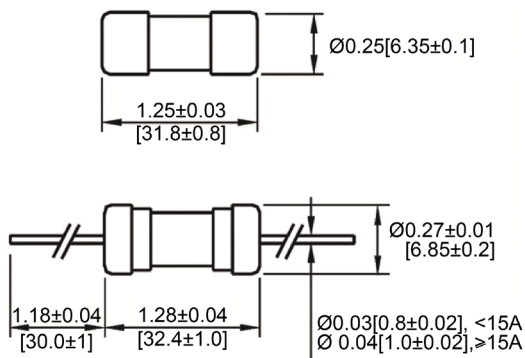
Interrupting Rating

200A @ 250VAC(4A-10A)
100A @125VAC (1A-15A) (PSE) (Cartridge Style)
500A @125VAC (1A-15A) (PSE) (Pigtail Style)
100A @ 125VAC (16A-30A) (PSE) (Pigtail Style)
100A @250VAC (1A-30A) (PSE)
100A @ 250VAC (100mA-10A) KC
300A @ 32VAC/DC (12A-30A)

Material Specifications

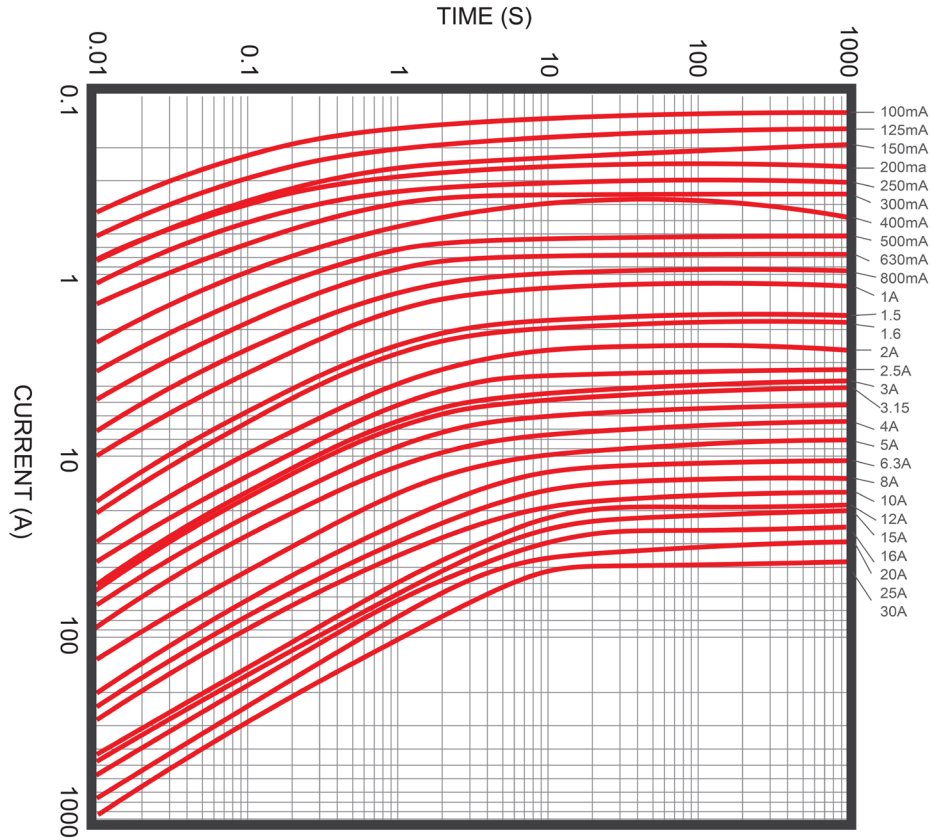
Body Material: Glass

Mechanical Dimensions: Inches [mm]



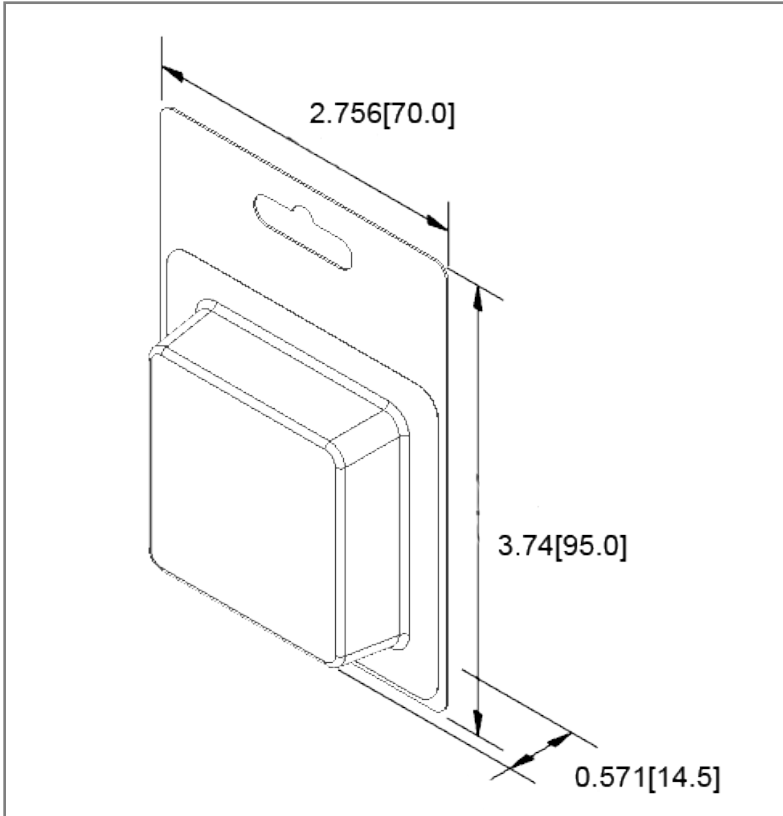
Cartridge P/N	Axial Lead P/N	Ampere Rating	Nominal Cold Resistance(Ohms)	I ² T Reference (A ² Sec)
FSA-100mA	FSA-P-100mA	100mA	-	0.00194
FSA-200mA	FSA-P-200mA	200mA	3.4500	0.00655
FSA-250mA	FSA-P-250mA	250mA	6.4000	0.0123
FSA-300mA	FSA-P-300mA	300mA	4.4500	0.0215
FSA-315mA	FSA-P-315mA	315mA	3.8300	0.0239
FSA-350mA	FSA-P-350mA	350mA	2.9100	0.0384
FSA-400mA	FSA-P-400mA	400mA	2.5200	0.0515
FSA-500mA	FSA-P-500mA	500mA	1.7700	0.112
FSA-600mA	FSA-P-600mA	600mA	1.4300	0.213
FSA-630mA	FSA-P-630mA	630mA	1.1400	0.239
FSA-750mA	FSA-P-750mA	750mA	0.9160	0.399
FSA-800mA	FSA-P-800mA	800mA	0.7500	0.504
FSA-1A	FSA-P-1A	1A	0.5320	0.968
FSA-1.2A	FSA-P-1.2A	1.2A	0.3760	1.751
FSA-1.25A	FSA-P-1.25A	1.25A	0.3750	1.788
FSA-1.5A	FSA-P-1.5A	1.5A	0.2690	3.565
FSA-1.6A	FSA-P-1.6A	1.6A	0.2450	4.026
FSA-2A	FSA-P-2A	2A	0.1700	8.57
FSA-2.5A	FSA-P-2.5A	2.5A	0.0530	14.21
FSA-3A	FSA-P-3A	3A	0.0430	23.12
FSA-3.15A	FSA-P-3.15A	3.15A	0.0406	25.7
FSA-3.5A	FSA-P-3.5A	3.5A	0.0343	32.15
FSA-4A	FSA-P-4A	4A	0.0290	43.65
FSA-5A	FSA-P-5A	5A	0.0219	72.54
FSA-6A	FSA-P-6A	6A	0.0161	120.2
FSA-6.3A	FSA-P-6.3A	6.3A	0.0157	168.7
FSA-7A	FSA-P-7A	7A	0.0135	195.3
FSA-8A	FSA-P-8A	8A	0.0117	393
FSA-9A	FSA-P-9A	9A	0.0108	476.5
FSA-10A	FSA-P-10A	10A	0.0090	556.9
FSA-12A	FSA-P-12A	12A	0.0075	805.9
FSA-15A	FSA-P-15A	15A	0.0051	1868
FSA-16A	FSA-P-16A	16A	0.0050	2196
FSA-20A	FSA-P-20A	20A	0.0040	3212
FSA-25A	FSA-P-25A	25A	0.0030	5902
FSA-30A	FSA-P-30A	30A	0.0025	8494

Time vs Percent of Rated Current

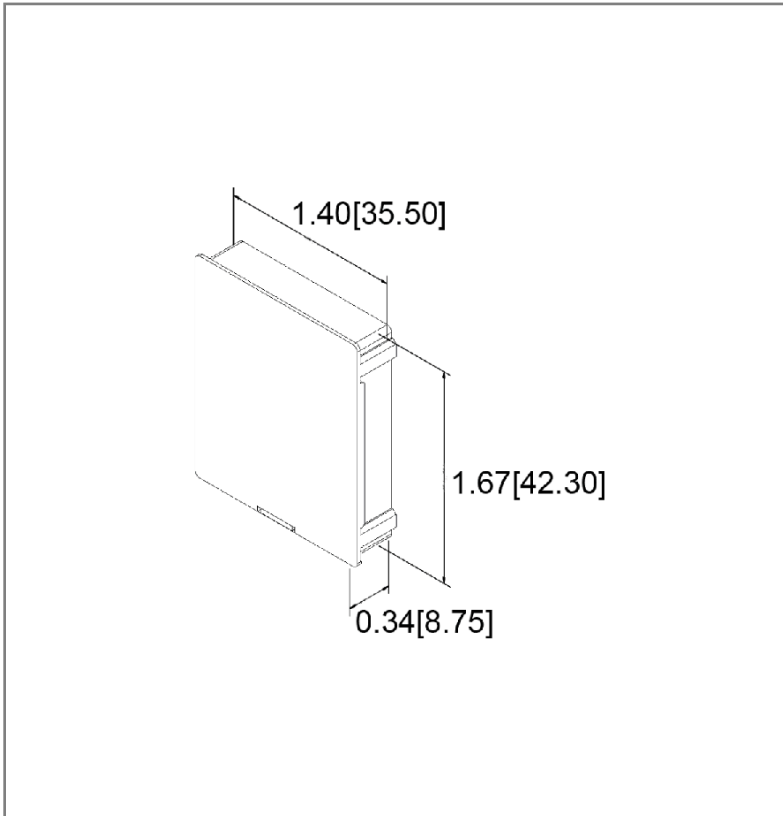


Amperage Rating	% of Rated Current	Min Hold Time	Max Hold Time
100mA~160mA	100%	Carry	-
200mA~30A	100%	4 Hr	-
100mA~160mA	135%	-	1 Hr
200mA~30A	135%	-	1 Hr
100mA~160mA	200%	-	120s
200mA~30A	200%	-	5s

Blister Pack: Inches [mm]



Pill Box: Inches [mm]



Retail Pack Part Number Information

Ampere Rating	Retail Pack # Blister Card (5PCS)	Retail Pack # Pill Box (5PCS)
100mA	FSA-100mA-BP	FSA-100mA-BX
200mA	FSA-200mA-BP	FSA-200mA-BX
250mA	FSA-250mA-BP	FSA-250mA-BX
300mA	FSA-300mA-BP	FSA-300mA-BX
315mA	FSA-315mA-BP	FSA-315mA-BX
400mA	FSA-400mA-BP	FSA-400mA-BX
500mA	FSA-500mA-BP	FSA-500mA-BX
600mA	FSA-600mA-BP	FSA-600mA-BX
750mA	FSA-750mA-BP	FSA-750mA-BX
800mA	FSA-800mA-BP	FSA-800mA-BX
1A	FSA-1A-BP	FSA-1A-BX
1.5A	FSA-1.5A-BP	FSA-1.5A-BX
1.6A	FSA-1.6A-BP	FSA-1.6A-BX
2A	FSA-2A-BP	FSA-2A-BX
2.5A	FSA-2.5A-BP	FSA-2.5A-BX
3A	FSA-3A-BP	FSA-3A-BX
3.15A	FSA-3.15A-BP	FSA-3.15A-BX
3.5A	FSA-3.5A-BP	FSA-3.5A-BX
4A	FSA-4A-BP	FSA-4A-BX
5A	FSA-5A-BP	FSA-5A-BX
6A	FSA-6A-BP	FSA-6A-BX
6.3A	FSA-6.3A-BP	FSA-6.3A-BX
7A	FSA-7A-BP	FSA-7A-BX
7.5A	FSA-7.5A-BP	FSA-7.5A-BX
8A	FSA-8A-BP	FSA-8A-BX
9A	FSA-9A-BP	FSA-9A-BX
10A	FSA-10A-BP	FSA-10A-BX
12A	FSA-12A-BP	FSA-12A-BX
15A	FSA-15A-BP	FSA-15A-BX
20A	FSA-20A-BP	FSA-20A-BX
25A	FSA-25A-BP	FSA-25A-BX
30A	FSA-30A-BP	FSA-30A-BX

* Retail packs are for cartridge style fuses only

Rev Date of issue Revision Notes

Designed Approved

F	10-16-2025	Updated Part Number Information	RC	OF
---	------------	---------------------------------	----	----