



# XFIT



## KT-WPLED20-S1-8CSB-VDIM-X

### SMALL LOW PROFILE LED WALL PACK

#### DESCRIPTION

20W Small Low Profile LED Wall Pack | 120-277V Input | Color Select | Small Low Profile Housing | Bronze, White, or Black Housing | Impact Resistant Lens

#### APPLICATION

Building mount for exterior illumination (entryways, pathways, stairwells, security, and other general site lighting requirements)



**10 YEAR**  
LIMITED WARRANTY

#### PRODUCT FEATURES

- Small low profile design can be mounted virtually anywhere, offering uniform vertical and horizontal distribution pattern for general safety and security illumination needs
- Heavy-duty, die-cast aluminum housing with (3) 1/2" threaded conduit hubs: (1) on back and (1) on each side
- Powered by Keystone 0-10V dimming LED drivers, dimmable to 10%
- Built-in dusk-to-dawn photocell behind translucent 1/2" threaded plug with anti-yellowing agent
- ADA Compliant with low-profile housing less than 4" deep
- Impact-resistant highly diffused polycarbonate lens with anti-yellowing agent offers reduced glare for low mounting height applications
- Ambient operating temperature: -40°C/-40°F to 45°C/113°F, with EM: -20°C/-4°F to 45°C/113°F \*\*
- UL Certified for wet locations; IP65 rated
- Fixture impact rating IK07
- Power Factor: > 0.95
- THD: < 20%
- LED chip lifetime: L70 @ > 100,000 hrs @ 25°C/77°F ambient fixture temp
- Meets FCC Part 15, Part B, Class A standards for conducted and radiated emissions

#### PRODUCT IMAGES



KT-WPLED20-S1-8CSB-VDIM



KT-WPLED20-S1-8CSB-VDIM-W



KT-WPLED20-S1-8CSB-VDIM-B



KT-WPLED20-S1-8CSB-VDIM /EM4

\*\* KT-WPLED20-S1-8CSB-VDIM /EM4 assembled before 09/2025 are not suitable for use below 0°C/32°F. Contact Keystone with questions.



# KT-WPLED20-S1-8CSB-VDIM-X

## SMALL LOW PROFILE LED WALL PACK

### PRODUCT SPECIFICATIONS

Catalog Number	Wattage	Lumens	Lumens Below 90°	Selectable CCT	Efficacy	Input Voltage	Dimming	CRI	Housing Color	Rated Life	Legacy Equivalent
KT-WPLED20-S1-8CSB-VDIM	20W	2600	2340	3000K	130 lm/W	120-277V	0-10V	> 80	Bronze	50,000 hrs	50-70W MH
		2700	2430	4000K	135 lm/W						
		2500	2330	5000K	125 lm/W						
KT-WPLED20-S1-8CSB-VDIM-W	20W	2600	2340	3000K	130 lm/W	120-277V	0-10V	> 80	White	50,000 hrs	50-70W MH
		2700	2430	4000K	135 lm/W						
		2500	2330	5000K	125 lm/W						
KT-WPLED20-S1-8CSB-VDIM-B	20W	2600	2340	3000K	130 lm/W	120-277V	0-10V	> 80	Black	50,000 hrs	50-70W MH
		2700	2430	4000K	135 lm/W						
		2500	2330	5000K	125 lm/W						

Catalog Number	Wattage	Lumens	Lumens Below 90°	Selectable CCT	Efficacy	Dimming	Emergency Wattage	Emergency Lumen Input	Rated Life	Legacy Equivalent
KT-WPLED20-S1-8CSB-VDIM /EM4	20W	2600	2340	3000K	130 lm/W	0-10V	4W	550	50,000 hrs	50-70W MH
		2700	2430	4000K	135 lm/W					
		2500	2330	5000K	125 lm/W					

\* Color Uniformity: CCT (Correlated Color Temperature) range as per guidelines outlined in ANSI C78.377-2017

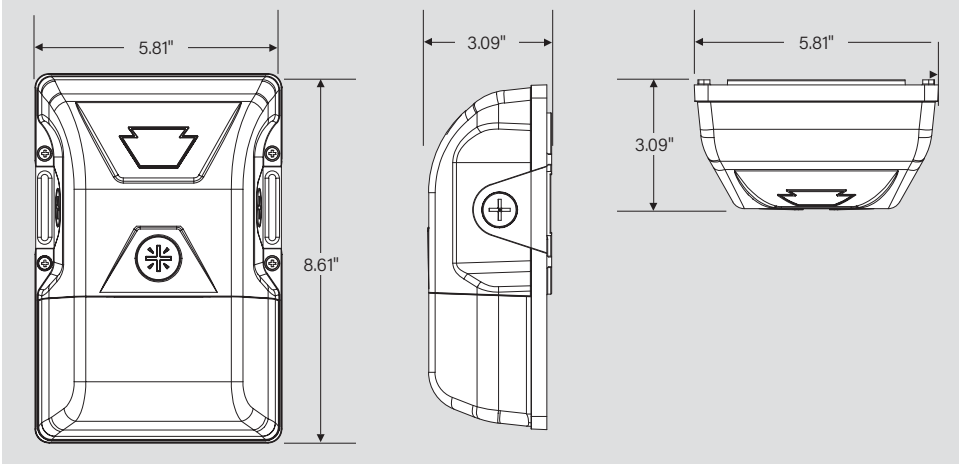


# KT-WPLED20-S1-8CSB-VDIM-X

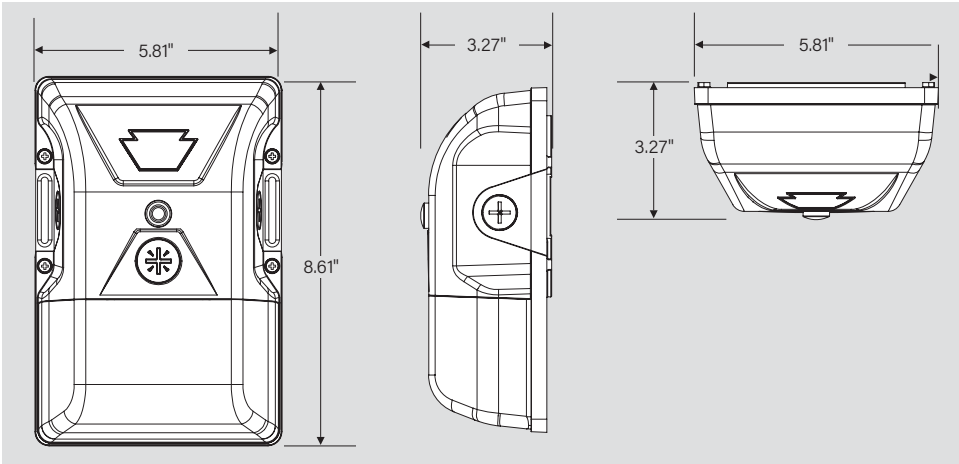
SMALL LOW PROFILE LED WALL PACK

## PHYSICAL SPECIFICATIONS

### KT-WPLED20-S1-8CSB-VDIM-X



### KT-WPLED20-S1-8CSB-VDIM /EM4

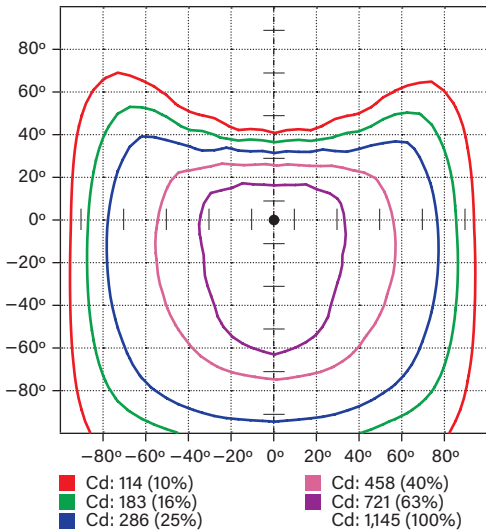


# KT-WPLED20-S1-8CSB-VDIM-X

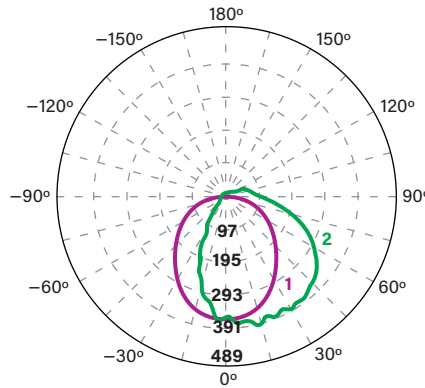
## SMALL LOW PROFILE LED WALL PACK

**PHOTOMETRIC SPECIFICATIONS**

**ISOCANDELA PLOT**



**LUMINOUS INTENSITY DISTRIBUTION**



**FLUX DISTRIBUTION**

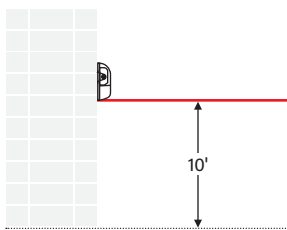
Zone	Lumens	% Luminaire
<b>Forward Light</b>	1,653 lm	64.0%
0°-30°	379 lm	14.7%
30°-60°	758 lm	29.4%
60°-80°	400 lm	15.5%
80°-90°	116 lm	4.5%
<b>Back Light</b>	667 lm	25.8%
0°-30°	264 lm	10.2%
30°-60°	283 lm	11.0%
60°-80°	97 lm	3.8%
80°-90°	23 lm	0.9%
<b>Up Light</b>	261 lm	10.1%
90°-100°	92 lm	3.5%
100°-180°	170 lm	6.6%

BUG* Rating	
<b>Asymmetrical Luminaire Types</b>	
Type I, II, III, IV	B1 U3 G1
<b>Quadrilateral Symmetrical Luminaire Types</b>	
Type V, Area Light	B1 U3 G1

\* Backlight, Uplight, Glare

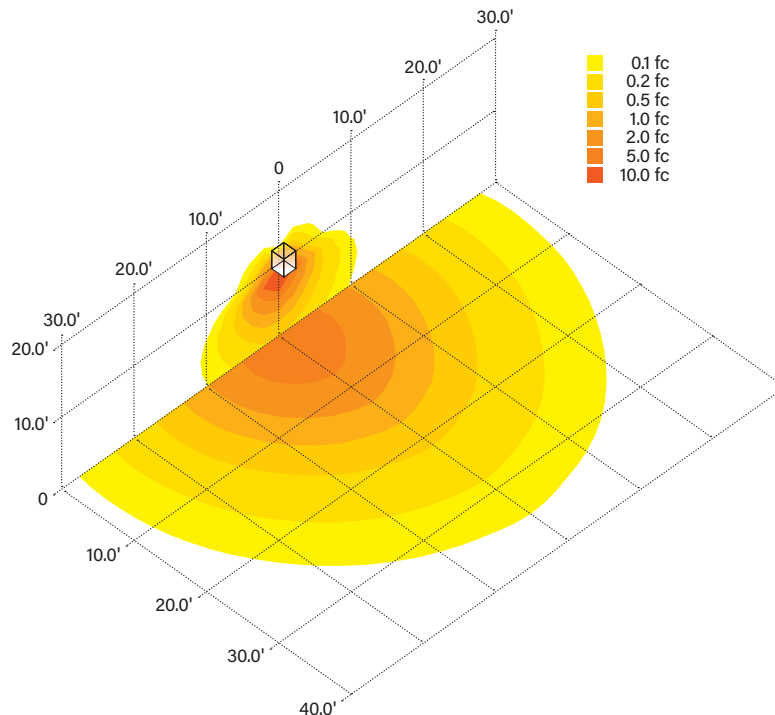
**MOUNTING**

Side view



**LIGHT DISTRIBUTION PATTERN**

Isometric view from above; Luminaire mounted at 10'





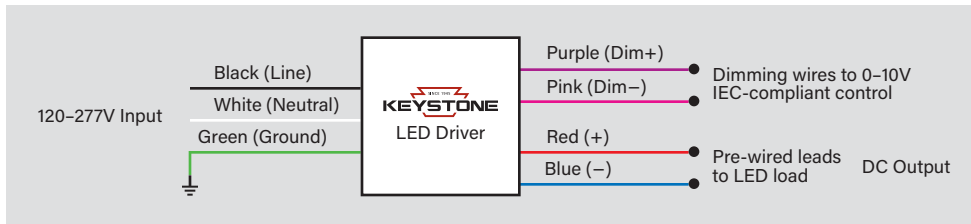
# KT-WPLED20-S1-8CSB-VDIM-X

## SMALL LOW PROFILE LED WALL PACK

### GENERAL SETUP INSTRUCTIONS

KT-WPLED20-S1-8CSB-VDIM-X

#### GENERAL WIRING DIAGRAM



**Caution:** Before installing, make certain that AC power to the fixture is off.

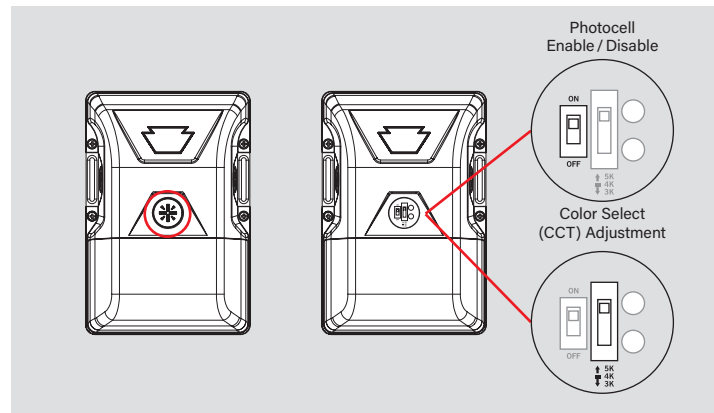
**Caution:** The electrical rating of this product is 120-277V. Installer must confirm that there is 120-277V at the fixture before installation.

#### PHOTOCELL ENABLE / DISABLE

This fixture is equipped with a dusk-to-dawn photocell behind the translucent knock-out (KO) cover. Adjust the dip switch to enable (ON) or disable (OFF) the photocell function (see illustrations to the right). Fixture comes preset with photocell enabled.

#### COLOR SELECT (CCT) ADJUSTMENT

Certain fixture models are equipped with Color Select technology. There is an adjustable dip switch behind the translucent knock-out (KO) cover to change CCT between 5000K, 4000K, and 3000K (see illustrations to the right). Fixture comes preset at 5000K.





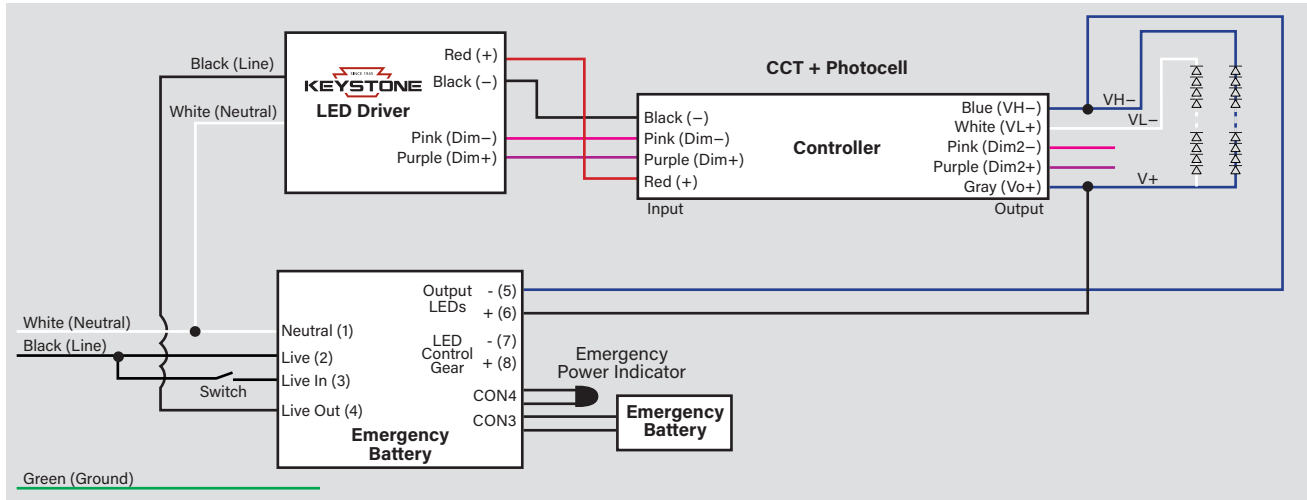
# KT-WPLED20-S1-8CSB-VDIM-X

## SMALL LOW PROFILE LED WALL PACK

### GENERAL SETUP INSTRUCTIONS (CONTINUED)

KT-WPLED20-S1-8CSB-VDIM /EM4

#### GENERAL WIRING DIAGRAM

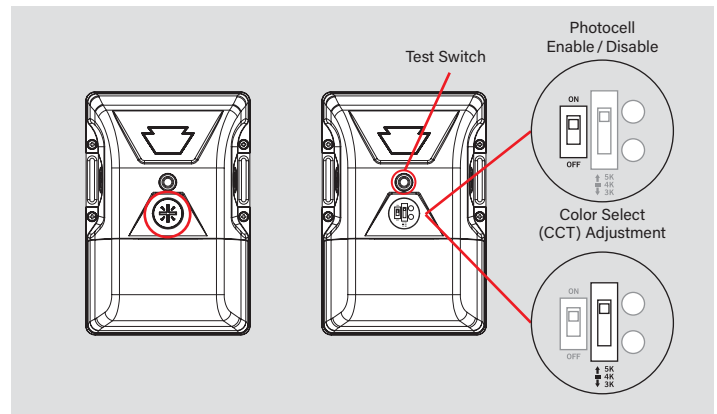


#### PHOTOCELL ENABLE / DISABLE

This fixture is equipped with a dusk-to-dawn photocell behind the translucent knock-out (KO) cover. Adjust the dip switch to enable (ON) or disable (OFF) the photocell function (see illustrations to the right). Fixture comes preset with photocell enabled.

#### COLOR SELECT (CCT) ADJUSTMENT

Certain fixture models are equipped with Color Select technology. There is an adjustable dip switch behind the translucent knock-out (KO) cover to change CCT between 5000K, 4000K, and 3000K (see illustrations to the right). Fixture comes preset at 5000K.





# KT-WPLED20-S1-8CSB-VDIM-X

## SMALL LOW PROFILE LED WALL PACK

### ORDERING INFORMATION

CATALOG NUMBER	UPC	EASY CODE	DLC PRODUCT ID
KT-WPLED20-S1-8CSB-VDIM	843654129112	XWA-37	PI7SCMGD
KT-WPLED20-S1-8CSB-VDIM-W	843654129136	OVS-04	PI7SCMGD
KT-WPLED20-S1-8CSB-VDIM-B	843654129129	VDW-81	PI7SCMGD
KT-WPLED20-S1-8CSB-VDIM /EM4	843654157498	OMA-65	S-X7F4R9

### CATALOG NUMBER BREAKDOWN

# KT-WPLED20-S1-8CSB-VDIM-X

1 2 3 4 5 6 7 8 9 10 11 12

- 1 Keystone Technologies
- 2 Fixture Type
- 3 LED Lamp
- 4 Max Wattage
- 5 Size
- 6 Style
- 7 80 CRI
- 8 Color Select Technology
- 9 Color Select Designation
- 10 Dimming
- 11 Housing Color
- 12 Battery Backup

#### 2 Fixture Type

WP	Wall Pack
----	-----------

#### 5 Size

S	Small
---	-------

#### 6 Style

1	Non-Cutoff
---	------------

#### 7 CRI

8	> 80
---	------

#### 10 Dimming

VDIM	0-10V
------	-------

#### 11 Housing Color

	Bronze
W	White
B	Black

#### 12 Battery Backup

/EM4	Emergency Battery Backup
------	--------------------------