

Features

- Kinesis® technology with concealed sensor allows for a clean aesthetic and provides extraordinarily accurate and reliable actuation in varying installation environments
- Below-counter valving reduces the faucet footprint and provides easier service
- Design-forward aesthetic for commercial bathroom spaces
- 0.5 gpm (1.9 lpm) maximum flow rate with vandal-resistant outlet
- Powered by Kohler's Hybrid Energy System (HES), which provides maintenance-free power for up to 30 years (approx. 875,000 cycles)
- On-demand usage with 30-second max. continual run cycle to prevent vandalism and save water
- 18" (457 mm) stainless steel braided flexible supply hose for easy installation
- Box includes spout assembly, grid drain, control box assembly, hybrid energy cell, supply hose, and standard mounting hardware
- Concealed mechanical mixer sold separately

Material

- Brass spout

Installation

- Deck-mount

Optional Products/Accessories

- K-99799 Thermostatic Tempering Valve
- K-13478-A 4" escutcheon plate for Insight™ and Kinesis® faucet
- K-13478-B 4" escutcheon plate for Insight™ and Kinesis® faucet
- K-13479-A 8" escutcheon plate for Insight™ and Kinesis® faucet
- K-13479-B 8" escutcheon plate for Insight™ and Kinesis® faucet
- K-24154 Mechanical mixing valve

Included Components

- K-7129-A Bathroom sink grid drain with overflow



ADA

CSA B651

OBC

Codes/Standards

ASME A112.18.1/CSA B125.1
NSF/ANSI/CAN 61
NSF/ANSI/CAN 372
DOE - Energy Policy Act 1992
California Energy Commission (CEC)
ADA
ICC/ANSI A117.1
CSA B651
OBC

KOHLER® One-Year Limited Warranty

See website for detailed warranty information.

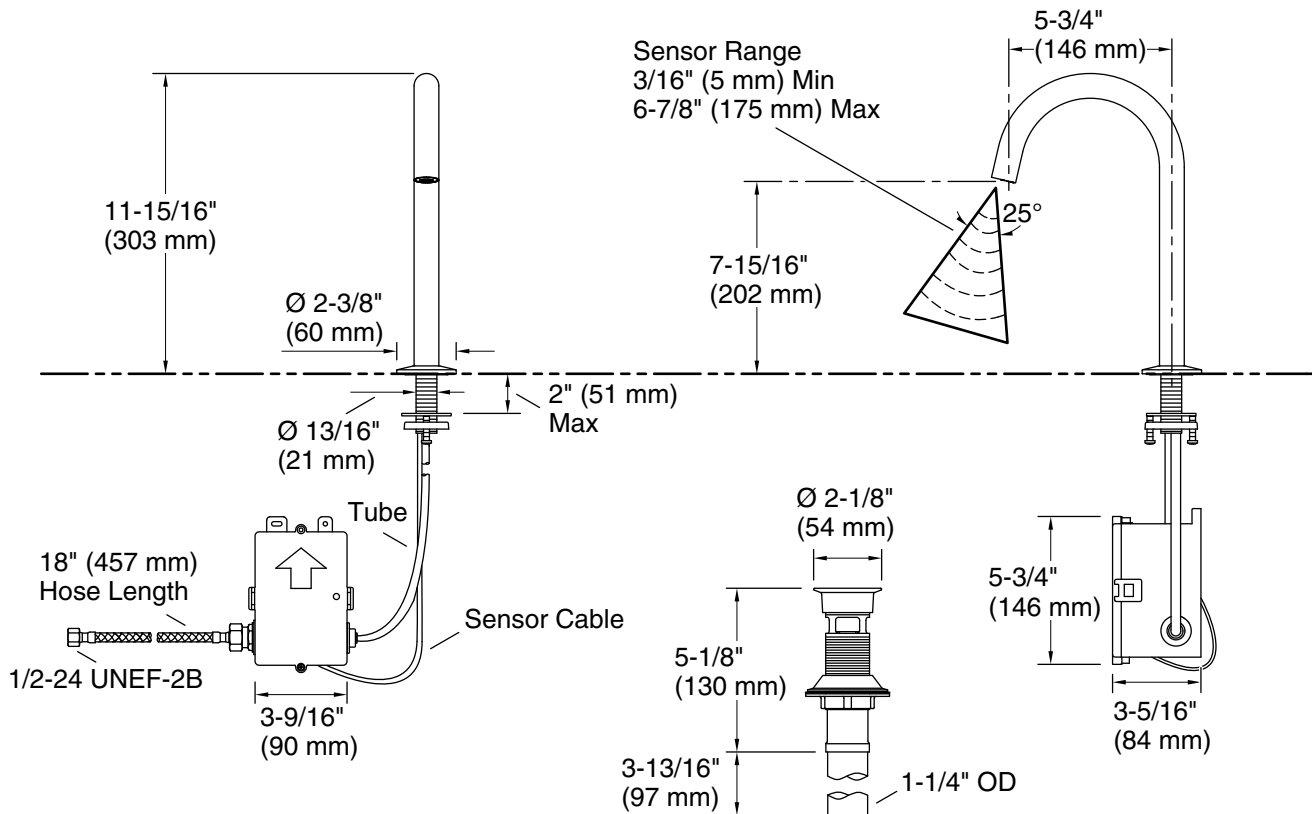
Available Colors/Finishes

Color tiles intended for reference only.

Color Code Description

■ CP Polished Chrome

Touchless lavatory faucet with Kinesis® sensor technology, Tube design, HES-powered, 0.5 gpm
K-106MT86-SANA



Technical Information

All product dimensions are nominal.

Power source: Hybrid Energy Cell, included
 Faucet flow rate: 0.5 gal/min (1.9 l/min)
 Drain included: Yes
 Drain with overflow: Yes
 Drain tailpiece included: Yes

Spout:

Spout reach: 5-3/4" (146 mm)

Pressure/fixture Supply Requirements

Fixture pressure max (static): 125 psi (861.8 kPa)
 Fixture pressure min (static): 20 psi (137.9 kPa)

Notes

Install this product according to the installation instructions.

ADA, OBC, CSA B651 compliant when installed to the specific requirements of these regulations.