

KT-LED14.5T8-48G-850-D2 /G2

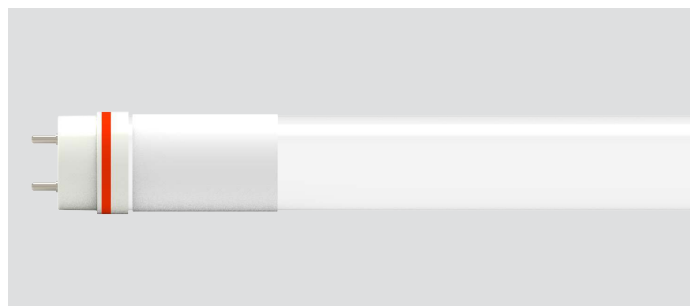
T8 LED LAMP

DESCRIPTION

14.5W LED T8 Tube | 5000K | > 80 CRI | High-Efficiency



LAMP TYPE: Linear
BULB TYPE: T8
BASE TYPE: G13 (Medium Bi-Pin)
WATTAGE: 14.5W
COLOR TEMPERATURE: 5000K
COLOR RENDERING INDEX (CRI): > 80
WARRANTY: 5 Years



PRODUCT FEATURES

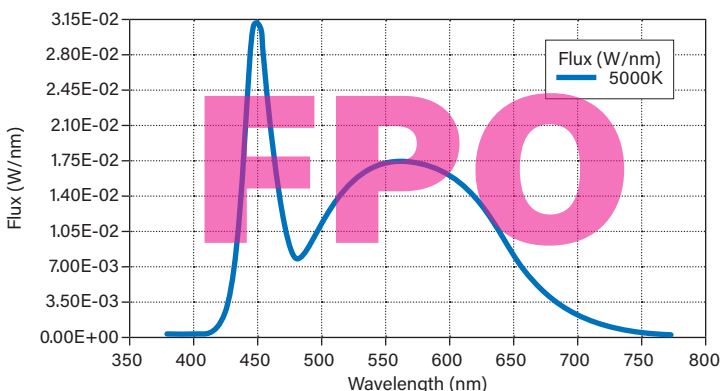
- Replacement for Conventional Fluorescent Lamp
- Double-Ended Wiring
- 50,000+ hour lifetime
- Approximately 60% More Energy Efficient than Standard F32T8 Lamps
- Environmentally Friendly: No Mercury Used
- Instant startup
- DLC Listed
- Frosted Glass Lens Eliminates Pixelation
- UL classified
- Operating Temperature: -20°C/-4°F to 45°C/113°F
- Storage Temperature: -30°C/-22°F to 60°C/140°F
- Operating Humidity-10-80%
- Integral Driver (Isolated), Eliminates the Need for External Driver or Ballast
- 120+ Lumens per Watt
- Not compatible with Keystone AC Emergency Drivers: KT-EMRG-LED-5-500-AC, KT-EMRG-LED-5-500-AC/DF, KT-EMRG-LED-12-1200-AC, or KT-EMRG-LED-12-1200-AC /DF
- Meets FCC Part 15, Part B
- Not rated for use in Vapor Tight style fixtures
- Lamp is dimmable when used with an appropriate dimming accessory (purchased separately). Contact Keystone for more details to find out what is best for the intended application

PERFORMANCE SPECIFICATIONS

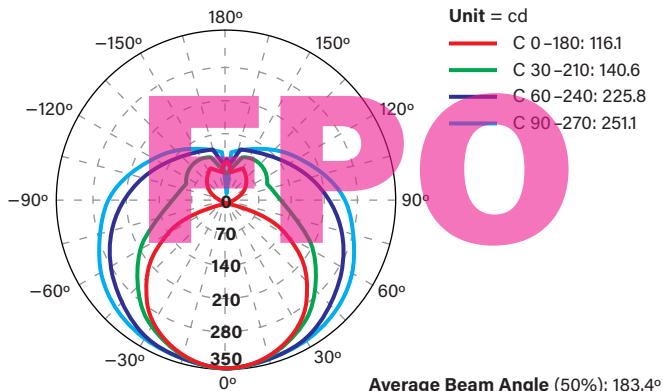
Catalog Number	Input Voltage	Wattage	Color Temperature	Lumen Output	Efficacy	CRI	Beam Angle	Visible Light Area	Power Factor	THD	Input Current	Life Time
KT-LED14.5T8-48G-850-D2 /G2	120-277V	14.5W	5000K	1800	124 lm/W	> 80	240°	325°	> 0.9	> 20%	120mA @120V 52mA @277V	50,000 hrs

PHOTOMETRIC SPECIFICATIONS

SPECTRAL DISTRIBUTION



POLAR CANDELA DISTRIBUTION



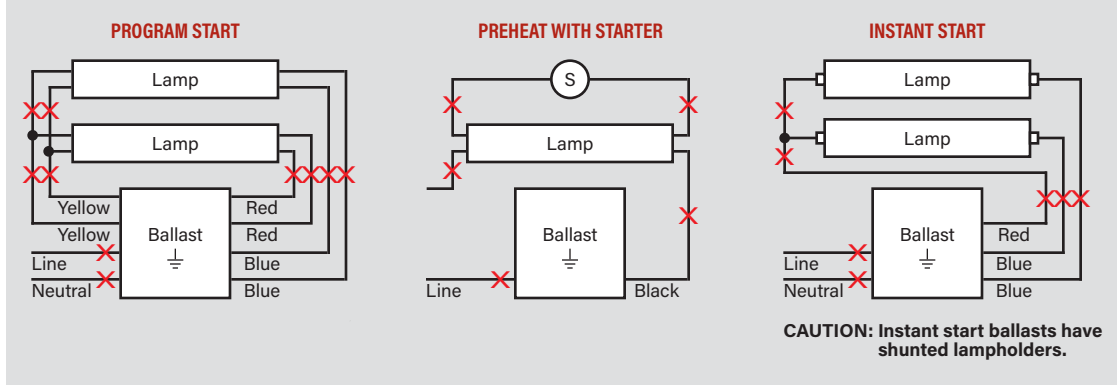
KT-LED14.5T8-48G-850-D2 /G2

T8 LED LAMP

WIRING DIAGRAMS

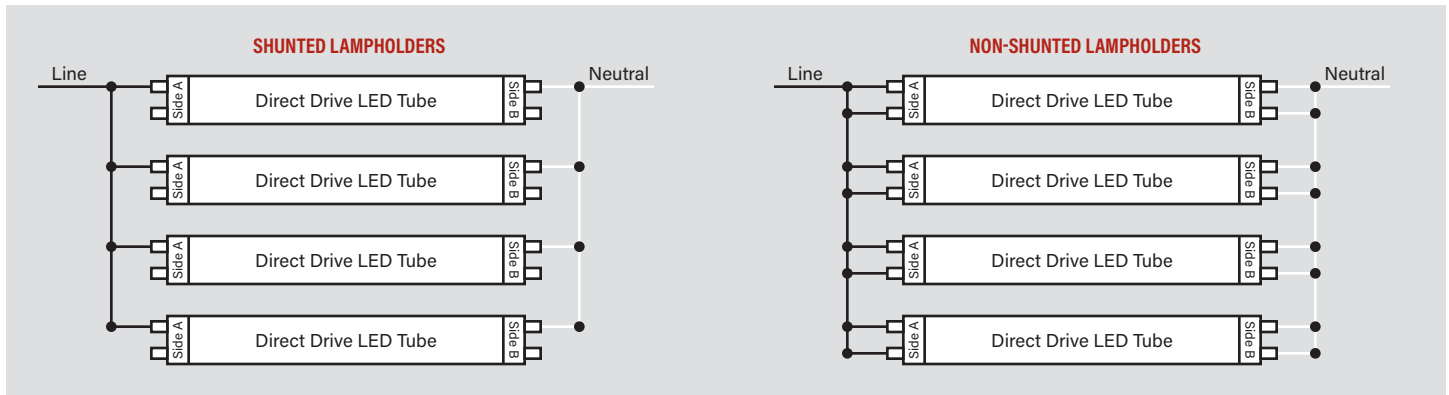
1. Cut all existing connections to ballast as shown below and remove ballast. See Figure A for typical ballast configurations.

FIGURE A TYPICAL BALLAST CONFIGURATIONS



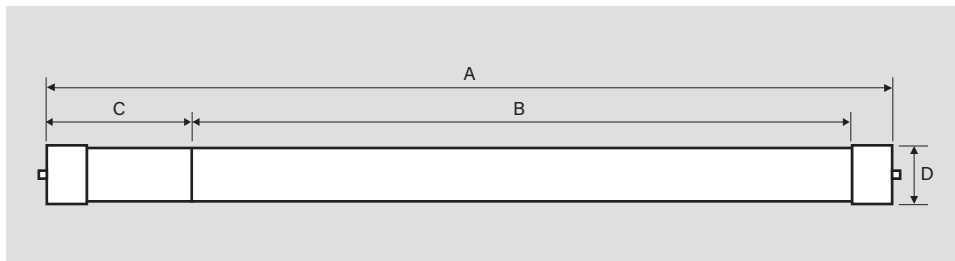
2. Re-wire fixture as shown below. For double-ended wiring, use either shunted or nonshunted lampholders.

NOTE: There should not be any exposed wires at the end of installation.



WARNING Not Compatible with Keystone AC Emergency Backups

PHYSICAL CHARACTERISTICS



LAMP DIMENSIONS

A (Body Length)	47.20"
B (Illuminated Length)	44.00"
C (End Cap/Sticker Area)	2.25"
D (Diameter)	1.10"

NOMINAL LENGTH: 48"

BASE TYPE: G13 (Medium Bi-Pin)



KT-LED14.5T8-48G-850-D2 /G2

T8 LED LAMP

ORDERING INFORMATION

ORDER CODE	CARTON QUANTITY	UPC	EASY CODE	DLC PRODUCT ID
KT-LED14.5T8-48G-850-D2 /G2	25	843654148649	VYF-69	S-6JL27F

CATALOG NUMBER BREAKDOWN

KT-LED14.5T8-48G-850-D2 /G2

- 1
- 2
- 3
- 4
- 5
- 6
- 7
- 8
- 9
- 10

- 1** Keystone Technologies
- 2** LED Lamp
- 3** Wattage
- 4** Lamp Type
- 5** Nominal Length (Inches)
- 6** Glass Construction
- 7** CRI
- 8** Color Temperature
- 9** Double-Ended Wiring
- 10** Second Generation