



KT-SWLED-WG-1-KIT

WIRE GUARD

DESCRIPTION

Wire Guard for LED Stairwell Fixtures. Thick steel wire and premium white powdercoat construction

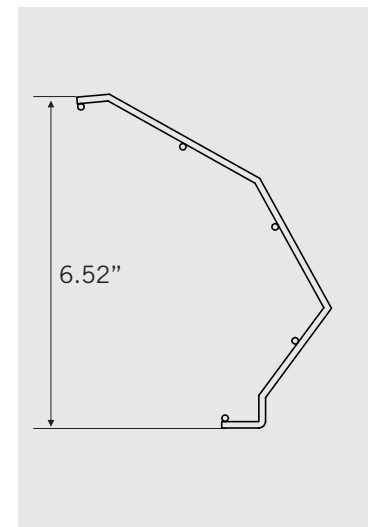
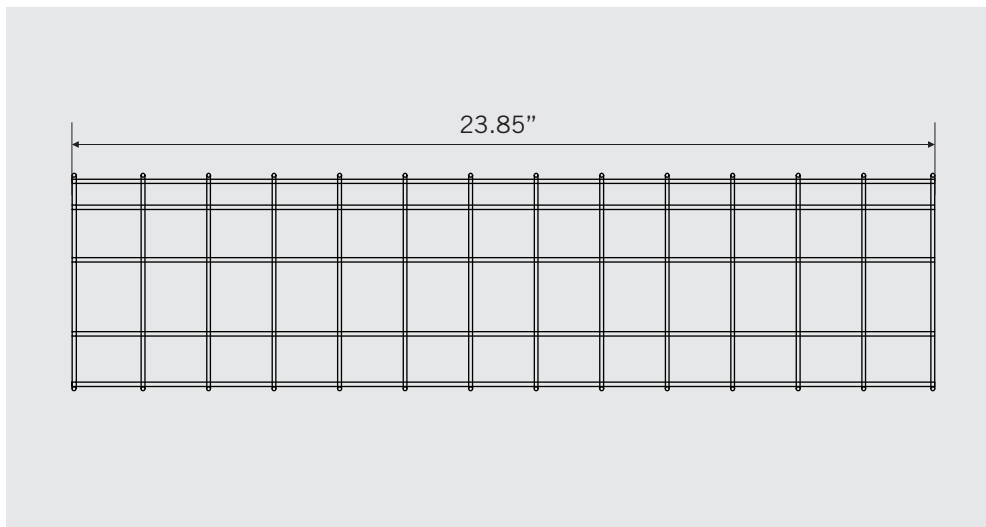
APPLICATION

Fits 2A fixture.

FEATURES

Includes: Wire guard and screws

PHYSICAL SPECIFICATIONS



ORDERING INFORMATION

Catalog Number	Pack Quantity	Easy Code	UPC
KT-SWLED-WG-1-KIT	TBD	PIT-99	843654132464

CATALOG NUMBER BREAKDOWN

KT-SWLED-WG-1-KIT

1 2 3 4 5

- 1 Keystone Technologies
- 2 Stairwell LED
- 3 Wire Guard
- 4 Style
- 5 Kit