

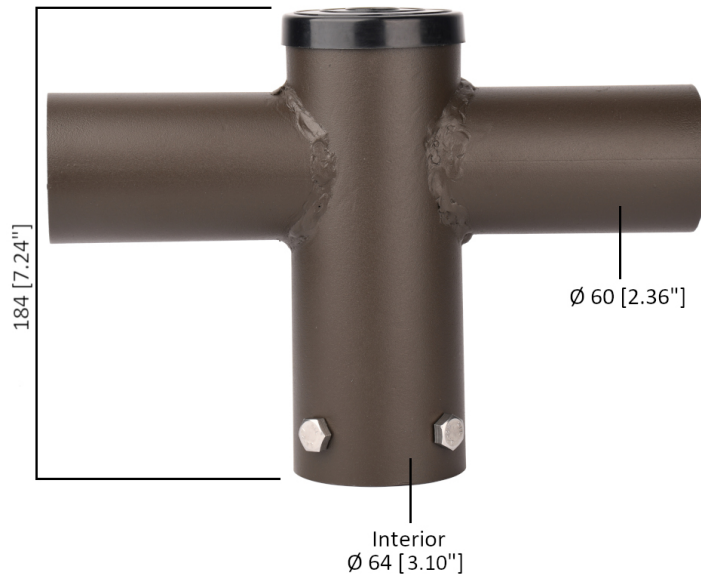
## 11 in. 180-Degree Twin Spoke Mounting Bracket Tenon Adapter



### PRODUCT DESCRIPTION

The 180° Double Horizontal Tenon Adaptor Twin Spoke Bracket is engineered with heavy-duty steel and reinforced with double-strength welds for lasting durability. Its fade-resistant bronze polyester powder coating ensures weather resistance, making it ideal for outdoor use. Designed for mounting atop wood, steel, or concrete poles, this bracket accommodates 2 3/8" slipfitter fixtures such as shoebox lights, parking lot lights, and flood lights. With a 10.23-inch extension, it easily fits onto 2-3/8" OD tenons or light pole tops and is suitable for 2.75" light poles.

### Dimensions



### Specifications

Part Number	Weight (lbs)	Capacity (lbs)	Mount	Material	Warranty	Certificates
JH-1TSB180-54C	4	110/head	Round Poles	Steel	1 Year	ETL