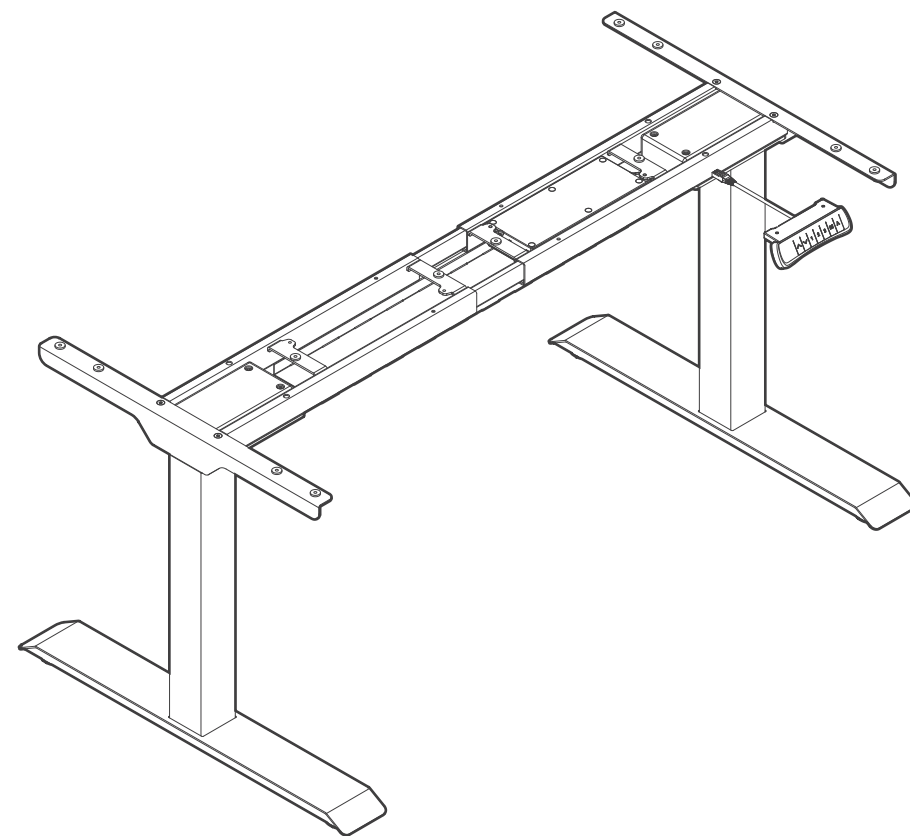


WE2B / WE2G / WE2W
Installation guide



< The pictures below are for reference only, please refer to the actual product. >
Please read this product manual carefully before use, and keep it properly.

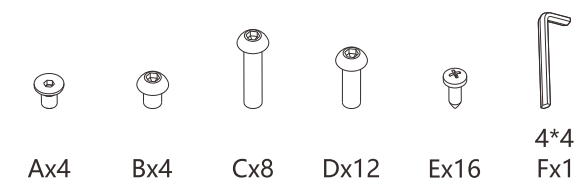
Technical Data

Column stage	3
Max. Load Capacity	275.58 lbs
Lowest Height	22.83"
Highest Height	48.43"
Applicable Tabletop Size	Length: 47.24"-78.74"
	Width: 23.62"-31.50"
	Thickness:> 0.7"

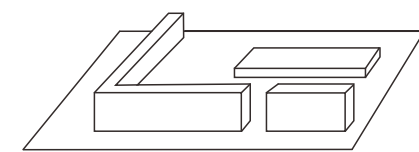
Product List

Accessory List

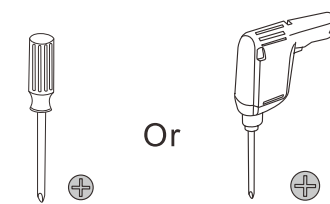
Note: The line drawings below are for reference only and may differ slightly from the physical product in some cases. Please refer to the actual product for accuracy. If any tools are missing or there are problems with installation, please contact customer service.



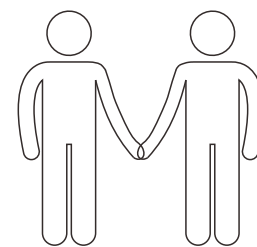
Preparation before installation



Install on carpet to prevent scratches.



Bring your own pistol drill.

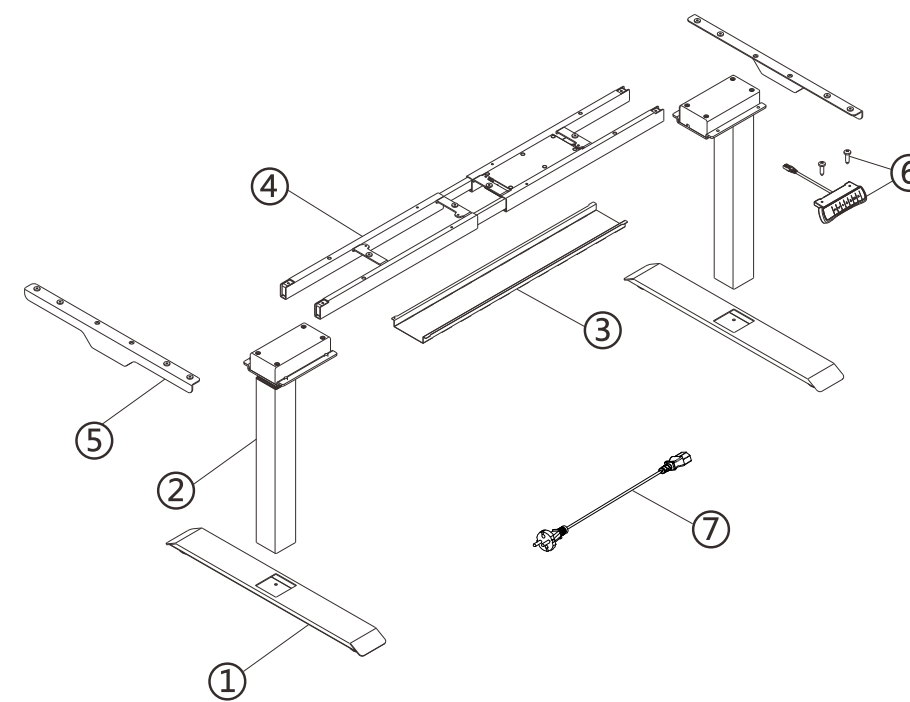


Need two or more people to cooperate together.

Part List

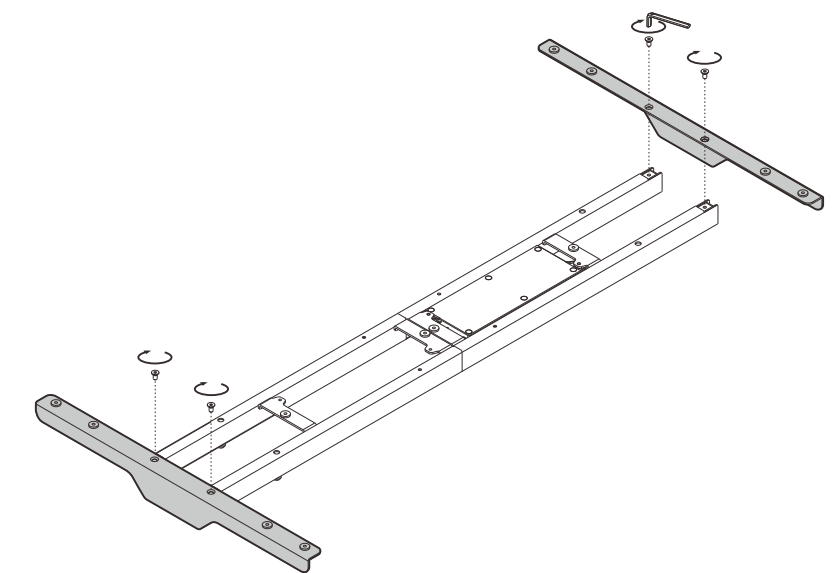
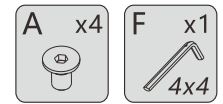
No.	Part	No.	Part
①	Feet x2	⑤	Side Bracket x2
②	Lifting Column x2	⑥	Hand Switch (Option) x1
③	Cable Management Tray x1	⑦	Power Plug x1
④	Supporting Beam (Control Box included) x1		

Installation Instruction

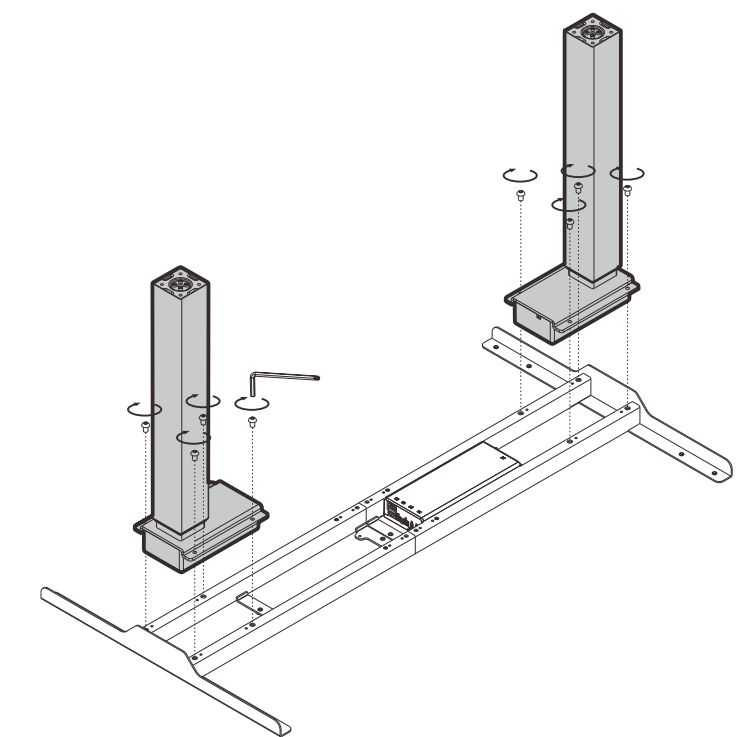
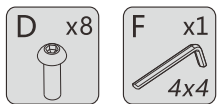


Installation Steps

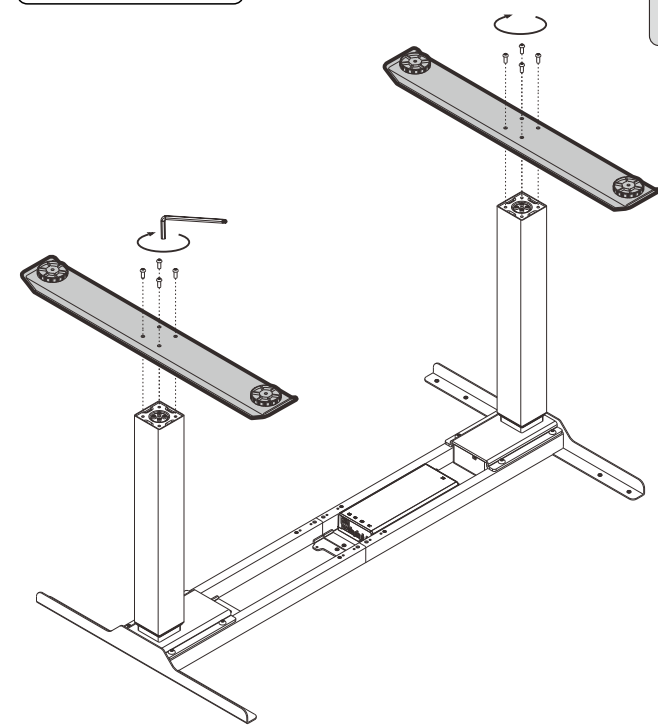
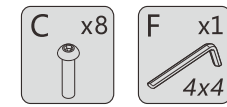
STEP1 Install the Side Brackets



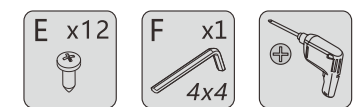
STEP2 Install the Lifting Columns



STEP3 Install the Feet

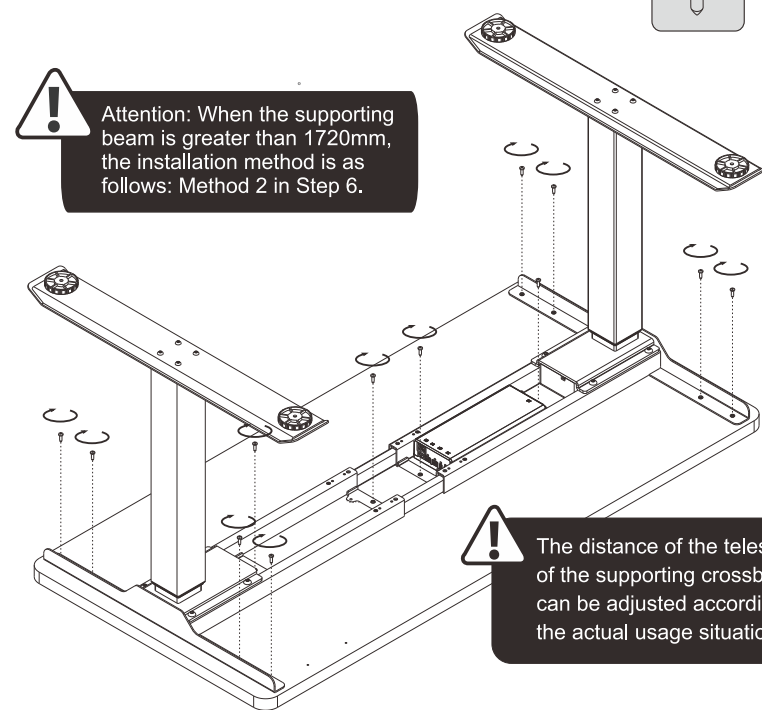


STEP4 Install the Tabletop

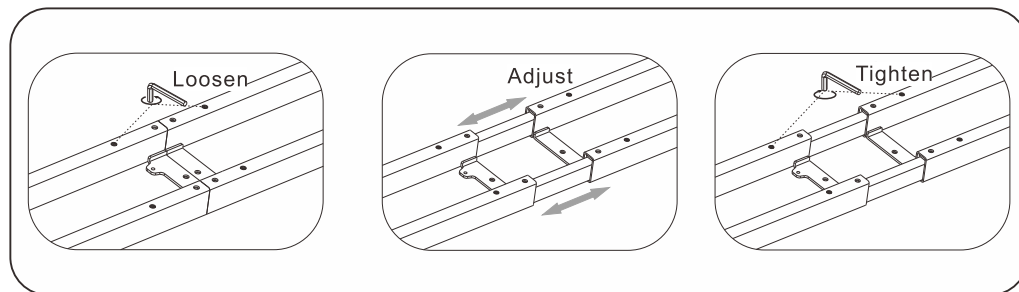


Self-prepared

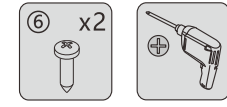
! Attention: When the supporting beam is greater than 1720mm, the installation method is as follows: Method 2 in Step 6.



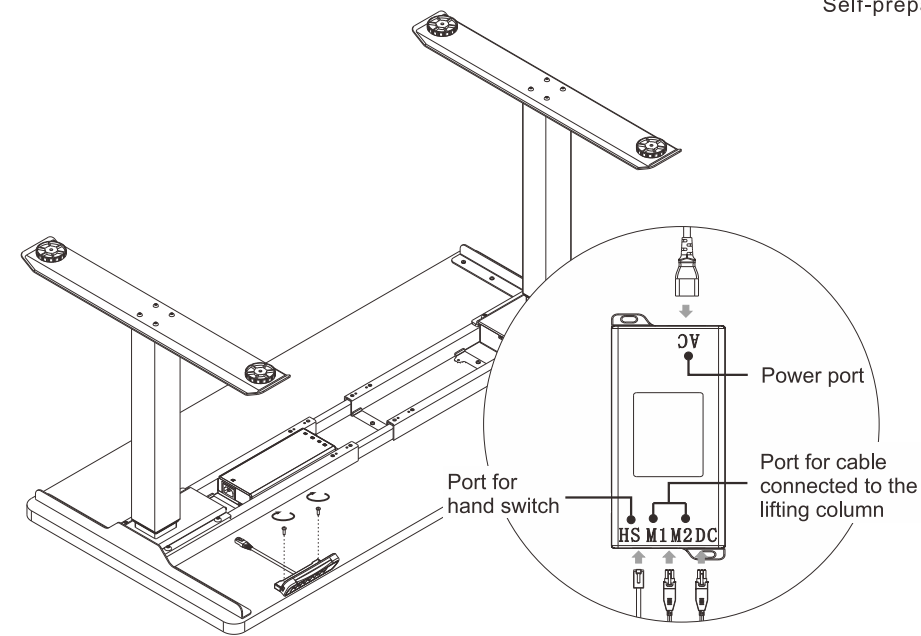
! The distance of the telescoping of the supporting crossbeam can be adjusted according to the actual usage situation.



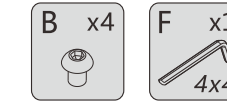
STEP5 Install the Control Panel



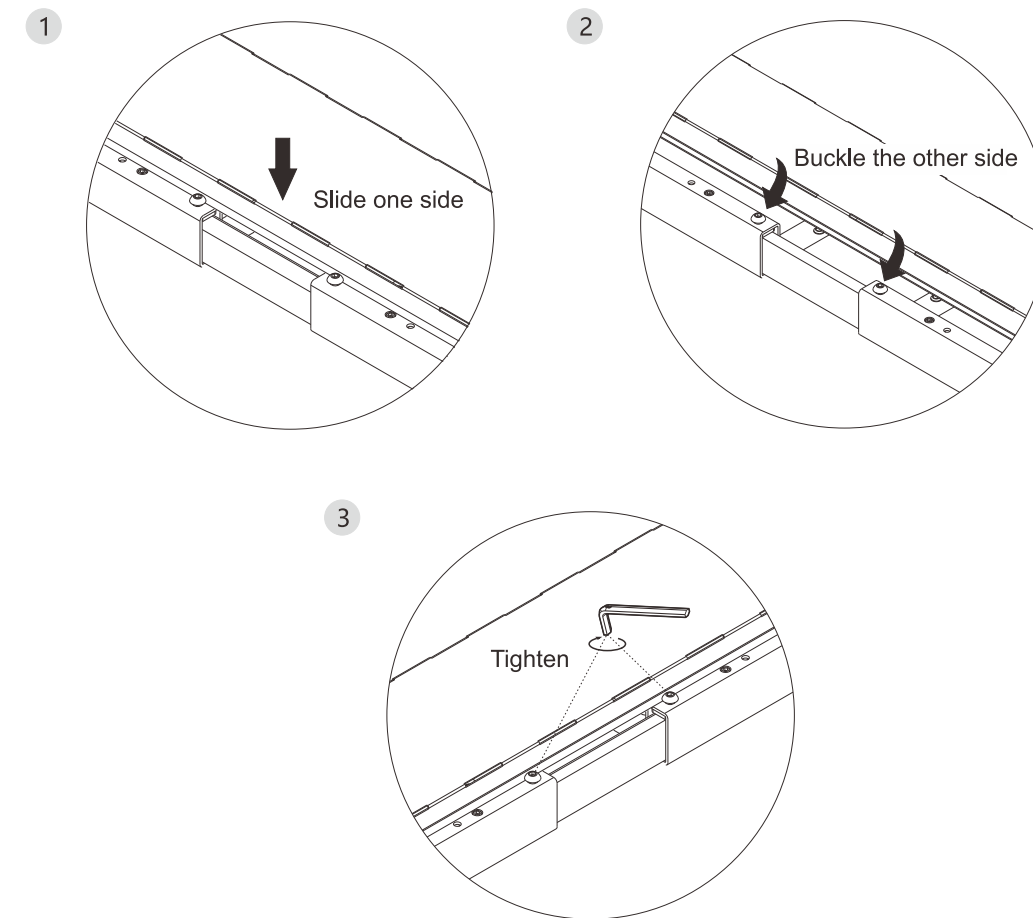
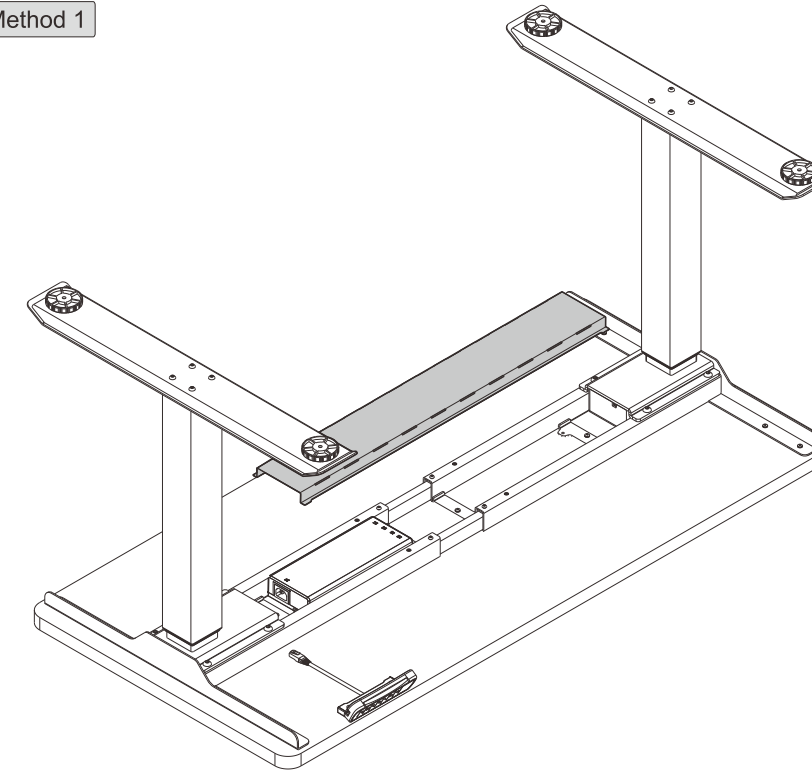
Self-prepared



STEP6 Install the Cable Management Tray

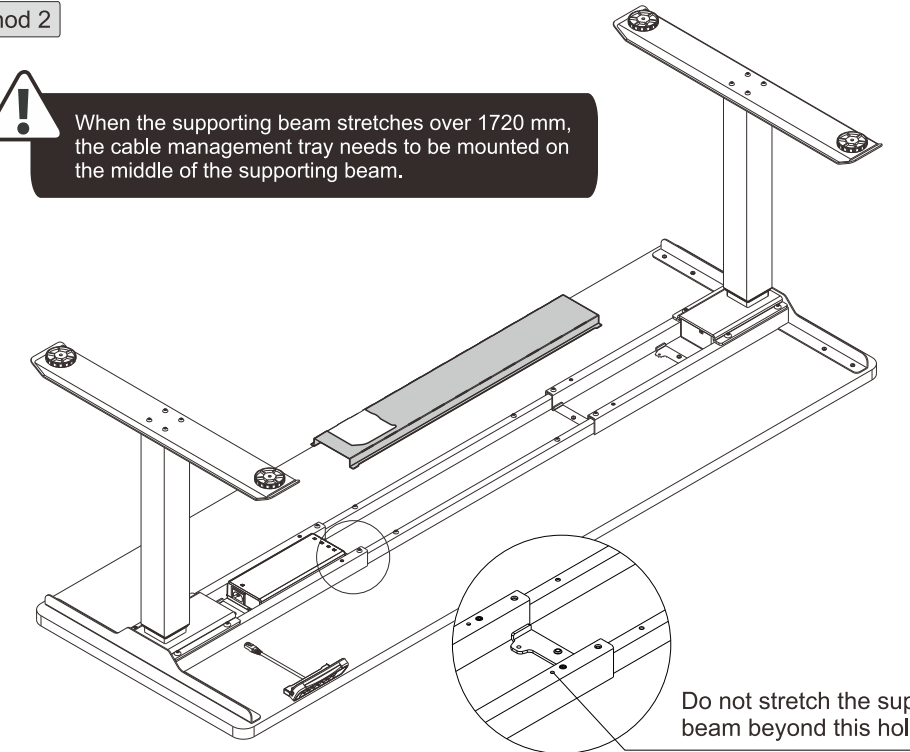


Method 1

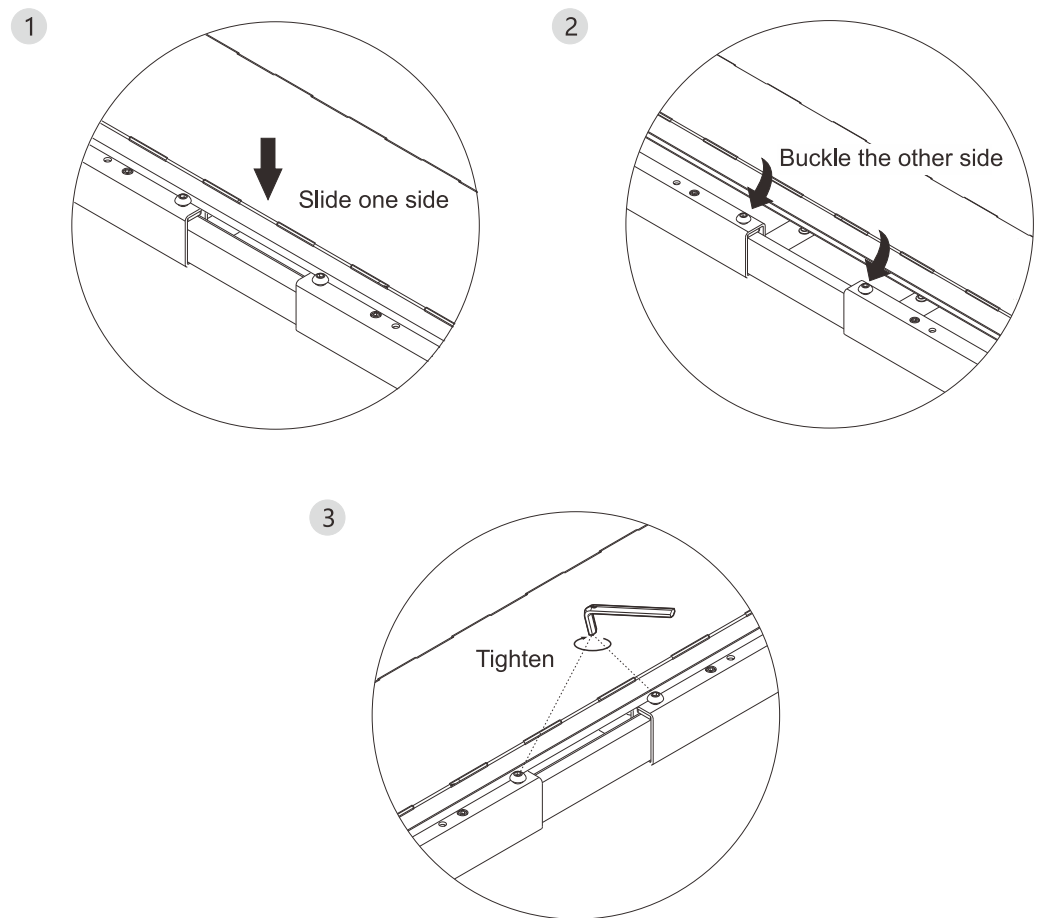


Method 2

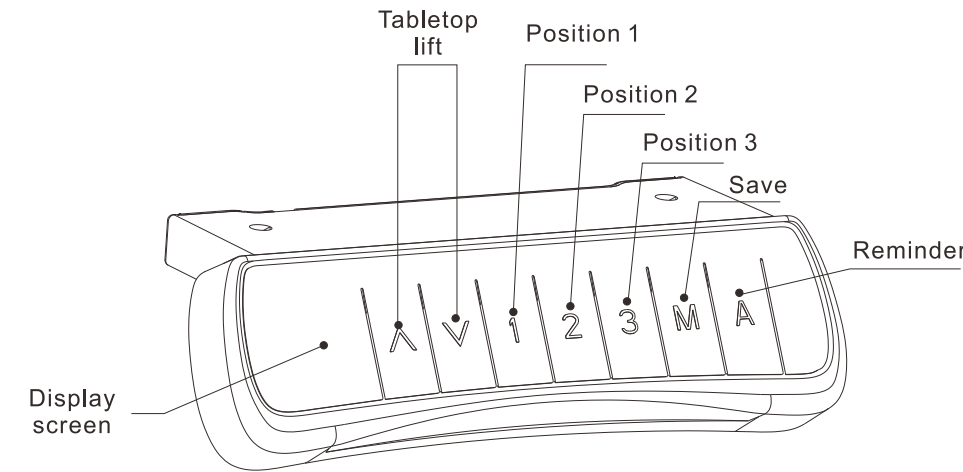
! When the supporting beam stretches over 1720 mm, the cable management tray needs to be mounted on the middle of the supporting beam.



Do not stretch the support beam beyond this hole



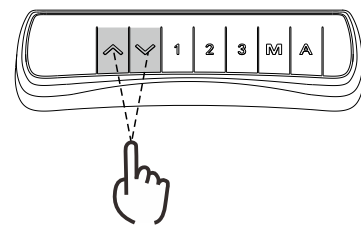
Instructions for using and setting up the handset



Note

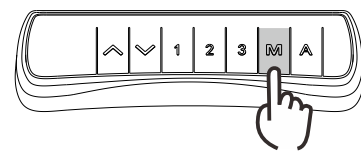
Ensure that there are no obstacles blocking the movement of the table during the lifting process and confirm that all cables are long enough for the table to move up and down.

● Button Control for Height Adjustment

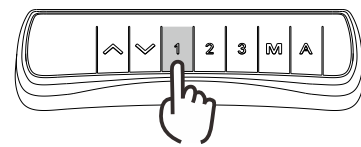


- a. By pressing the "▼" or "▲" button, you can adjust the height of the lifting table up or down, and the current height will be displayed on the screen.

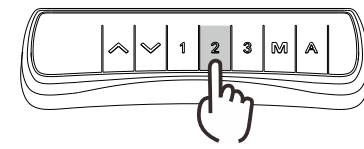
● Height Memory Function



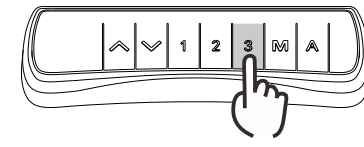
- a. Press the "M" key to save the current height. The display screen will show "5-".



- b. Press the "1" key to save the height to the corresponding position 1. The display screen will show "5-1" accordingly.



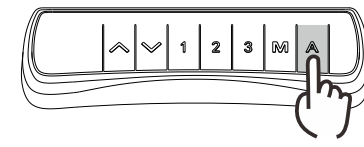
- c. Press the "2" key to save the height to the corresponding position 2. The display screen will show "5-2" accordingly.



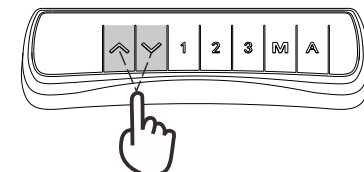
- d. Press the "3" key to save the height to the corresponding position 3. The display screen will show "5-3" accordingly.

Press the "1", "2", or "3" button to automatically adjust the desk to the previously saved position.

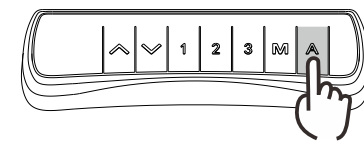
● The Sedentary Reminder Function



- a. Short press "A" to enable the automatic reminder function. The display screen will show "on" or "off".

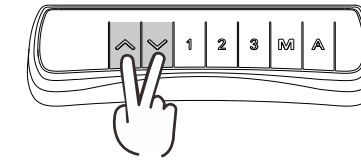


- b. 2 seconds after the automatic reminder function is enabled, the display screen will show the sedentary reminder time "45" (default sedentary time is 45 minutes). Press "▲" or "▼" to adjust the sedentary time, then press any key to save or wait for 5 seconds for the system to save automatically. After activating the automatic reminder function, any operation will reset the countdown. When the time display shows "00", the buzzer will sound "beep... beep... beep..." for 10 seconds. If a key is pressed within 10 seconds, the automatic reminder function will move to the next countdown time set by the user in step b. If there is no key press within 10 seconds, the system will issue another reminder after 5 minutes. If no key is pressed at that time, the automatic reminder function will be deactivated.



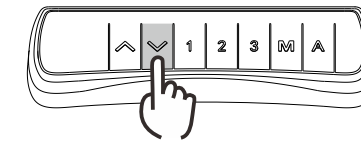
- c. Long press "A" for 3 seconds to disable the automatic reminder function. The display screen will show "off" or "off".

● Adjusting Collision Sensitivity (Optional)



- a. Press and hold the "▲" and "▼" buttons at the same time for 3 seconds to switch the sensitivity. One operation switches one level, with 4 levels: (R-0, R-1, R-2, R-3)
- b. "R-0" indicating that the collision prevention function is turned off; "R-1" indicating low sensitivity; "R-2" indicating medium sensitivity; "R-3" indicating high sensitivity.
- c. When the table encounters an obstacle during the process of ascending or descending, it will immediately rebound, providing protection.
- d. If the display screen does not show any of the above codes when simultaneously holding down the "▲" and "▼" keys for 5 seconds, it means that there is no collision prevention function.

● Error Code Processing



- a. The display screen shows "R5" or "r5". Long-press the button "▼" and the height-adjustable desk will move to the lowest or highest position and then bounce back until it stops. At this point, the display screen shows the height, indicating that the reset is completed.
- b. If the display shows "E01" or "E02", please allow the table to rest for at least 18 minutes before using it again.
- c. If there are other error codes and pressing the "▼" downward key does not respond, please check that the connecting cable is not damaged and properly connected. Disconnect the power for at least 10 seconds, then reconnect it. The screen will display either "R5" or "r5". Press and hold the "▼" downward key to reset.
- d. If the desk still does not function properly after performing the above steps, please contact customer service for assistance.

Troubleshooting

This list is used for checking and solving faults and errors. Please contact the manufacturer if problem you encounter is not on the list below.

Problem	Solution
The electronic functions are unable to operate properly	Check the cable connection
Speed of lifting is slow	Check if the load weighs more than 275.58 lbs
The worksurface slides downward	
The device often enters the reset state	Perform a reset operation
Only descending, not ascending, or only ascending, not descending	
Insufficient height for ascending and descending	Perform a reset operation
The bottom cannot rise	
After exceeding the working duty cycle requirements (Duty cycle: Max 2min on/18min OFF)	Power off for 18 minutes and then reconnect the power
When pressing the down key, the device goes up instead	Check if there are any obstacles or hanging cables under the table



Attention

- 1.Power supply: AC100V-240V, frequency 50/60Hz.
- 2.Operating environment: Indoor, 0-40° .
- 3.Before cleaning, make sure to unplug the power cord. Use a slightly damp cloth to wipe away surface dust, taking care not to let water drip into the internal components or damage the connection wires. Regularly check if screws are loose and tighten them if necessary.
- 4.The electrical box contains electronic components, metals, plastics, wires, etc. Dispose of it according to the environmental regulations of your country, not as regular household waste.
- 5.Before using the product, carefully inspect and ensure that it has been correctly installed. Use only the accessories provided by the manufacturer for installation. Leave adequate safety clearance when placing the product to avoid pinch hazards.
- 6.Before first use, familiarize yourself with all the functions and program settings of the product.
7. Children are not allowed to play on this product. Certain unpredictable behaviors may result from children playing on the product, and the manufacturer will not be responsible for any resulting accidents.
8. Slight noises from the multi-belt or brake system caused by the structure will not affect the use of the equipment.
9. The use of corrosive or abrasive materials for cleaning equipment is prohibited. Make sure that the cleaning agents used will not contaminate the environment.
10. Operate the equipment only after understanding the relevant hazards. Children under the age of 14 or individuals with physical or sensory impairments or mental disabilities should use the equipment under proper supervision and guidance. Children should not have unattended access to the product.
11. Children should not perform cleaning and user maintenance without supervision.
12. In case of power cord damage, it must be replaced by the manufacturer or relevant professionals to avoid injury.
13. Ensure that your operating environment is free of any potential hazards, such as not littering tools. Always handle packaging materials with caution to avoid various potential dangers, such as the choking hazard posed by children playing with plastic bags.
14. When moving the product, ensure that there are no items placed on the table, the drawers and doors are closed securely, screws are tightened, and the power plug is unplugged. Use at least 2 people for moving. If necessary, keep the original packaging for future transportation.
15. When storing for a long time, unplug the power cord and clean out any loose objects. Store it in a cool and dry place.
16. This product contains small parts that can pose a choking hazard if swallowed accidentally. Keep these small accessories away from children.

Waste disposal



This marking indicates that this product should not be disposed with other household wastes. To prevent possible harm to the environment or human health from uncontrolled waste disposal, recycle it responsibly to promote the sustainable reuse of material resources. To return your used device, please use the return and collection systems or contact the retailer where the product was purchased. They can take this product for environmental safe recycling.