

Product Specifications

Part Numbers Information

Electrical Specifications

Voltage Rating: 250VAC
Operating Temperature: -55°C ~ 125°C

Standards

200mA-25A
File E197390
Tested to IEC 60127 standards



Interrupting Rating

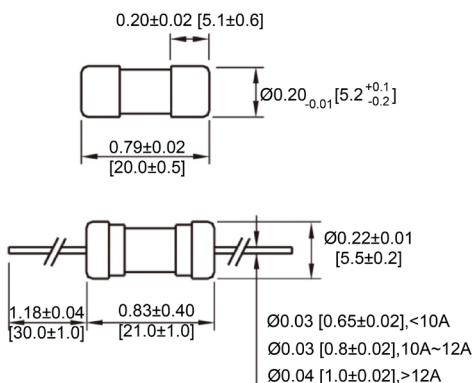
1500A @250VAC

Material Specifications

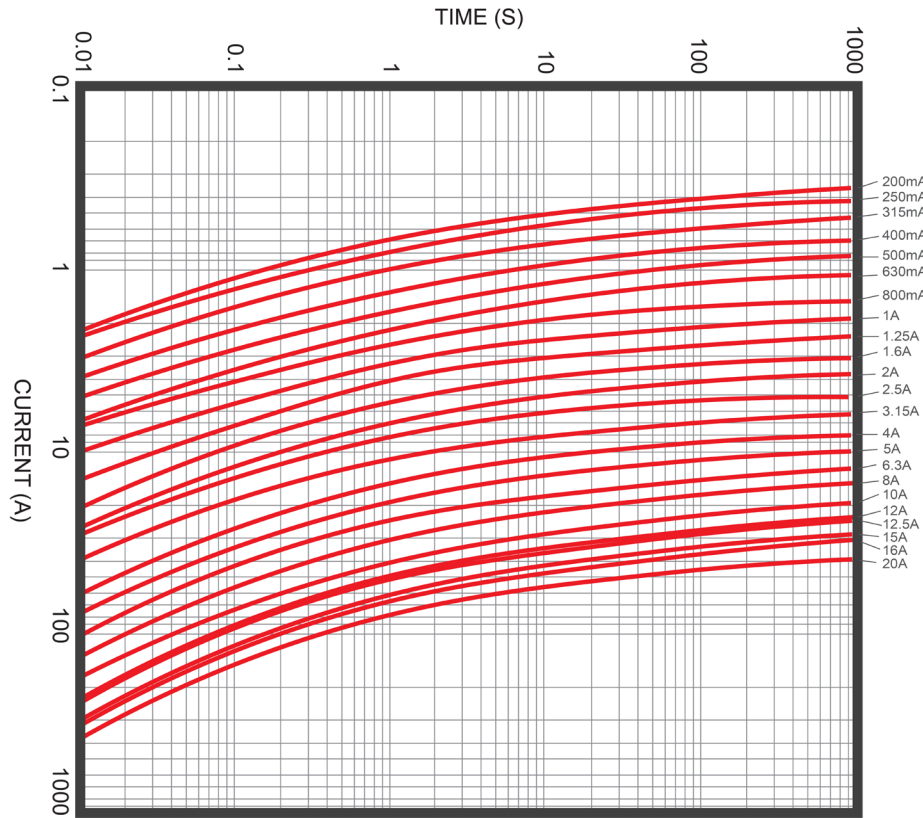
Body Material: Ceramic

Cartridge P/N	Axial Lead P/N	Ampere Rating	I ² T Reference (A ² Sec)	Nominal Cold Resistance (Ω)
TCD-200mA	TCD-P-200mA	200mA	0.048	5.2000
TCD-250mA	TCD-P-250mA	250mA	0.057	3.7500
TCD-315mA	TCD-P-315mA	315mA	0.096	2.0800
TCD-400mA	TCD-P-400mA	400mA	0.161	1.8400
TCD-500mA	TCD-P-500mA	500mA	0.257	1.0300
TCD-630mA	TCD-P-630mA	630mA	0.451	0.8240
TCD-800mA	TCD-P-800mA	800mA	0.5532	0.3580
TCD-1A	TCD-P-1A	1A	1.014	0.2300
TCD-1.25A	TCD-P-1.25A	1.25A	2.115	0.1790
TCD-1.6A	TCD-P-1.6A	1.6A	4.238	0.1060
TCD-2A	TCD-P-2A	2A	7.12	0.0766
TCD-2.5A	TCD-P-2.5A	2.5A	7.781	0.0343
TCD-3.15A	TCD-P-3.15A	3.15A	15.46	0.0248
TCD-4A	TCD-P-4A	4A	37.6	0.0175
TCD-5A	TCD-P-5A	5A	60.95	0.0126
TCD-6.3A	TCD-P-6.3A	6.3A	101.3	0.0099
TCD-8A	TCD-P-8A	8A	188.7	0.0072
TCD-10A	TCD-P-10A	10A	323.4	0.0048
TCD-12A	TCD-P-12A	12A	539.2	0.0038
TCD-12.5A	TCD-P-12.5A	12.5A	585.1	0.0036
TCD-15A	TCD-P-15A	15A	934.1	0.0026
TCD-16A	TCD-P-16A	16A	1055	0.0024
TCD-20A	TCD-P-20A	20A	2116	0.0019
TCD-25A	TCD-P-25A	25A	2709	0.0018

Mechanical Dimensions: Inches [mm]

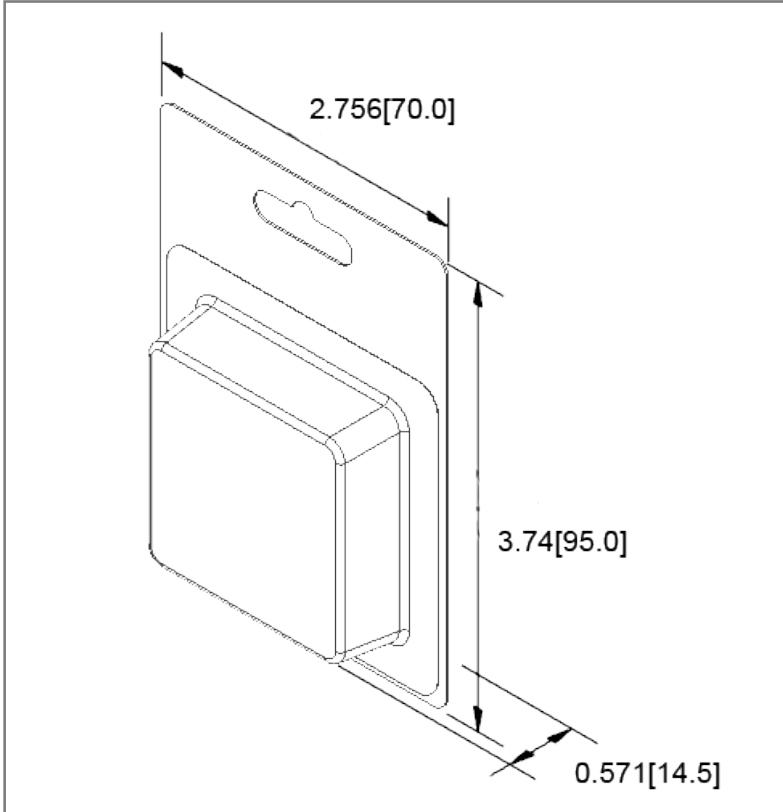


Time vs Percent of Rated Current



% of Rated Current	Current Rating	Min Hold Time	Max Hold Time
210%	200mA-800mA	-	30mins
	1A-3.15A	-	30mins
	4A-10A	-	30mins
	>10A	-	30mins
275%	200mA-800mA	250ms	80s
	1A-3.15A	750ms	80s
	4A-10A	750ms	80s
	>10A	1s	80s
400%	200mA-800mA	50ms	5s
	1A-3.15A	95ms	5s
	4A-10A	150ms	5s
	>10A	150ms	8s
1000%	200mA-800mA	5ms	150ms
	1A-3.15A	10ms	150ms
	4A-10A	10ms	150ms
	>10A	20ms	150ms

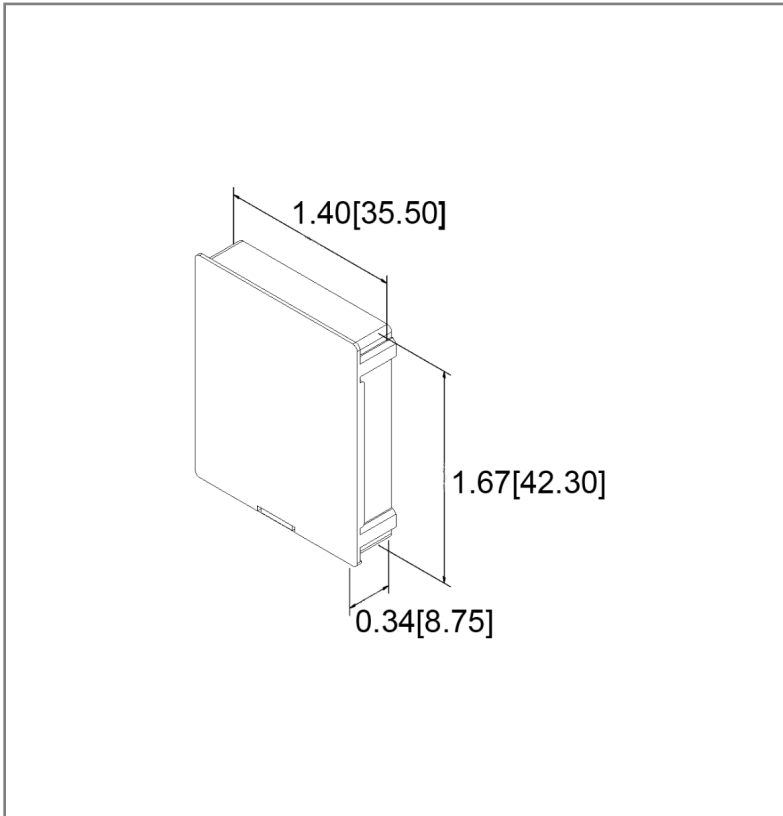
Blister Pack: Inches [mm]



Retail Pack Part Number Information

Ampere Rating	Retail Pack # Blister Card (5PCS)	Retail Pack # Pill Box (5PCS)
250mA	TCD-250mA-BP	TCD-250mA-BX
315mA	TCD-315mA-BP	TCD-315mA-BX
500mA	TCD-500mA-BP	TCD-500mA-BX
630mA	TCD-630mA-BP	TCD-630mA-BX
1A	TCD-1A-BP	TCD-1A-BX
1.25A	TCD-1.25A-BP	TCD-1.25A-BX
1.6A	TCD-1.6A-BP	TCD-1.6A-BX
2A	TCD-2A-BP	TCD-2A-BX
2.5A	TCD-2.5A-BP	TCD-2.5A-BX
3.15A	TCD-3.15A-BP	TCD-3.15A-BX
4A	TCD-4A-BP	TCD-4A-BX
5A	TCD-5A-BP	TCD-5A-BX
6.3A	TCD-6.3A-BP	TCD-6.3A-BX
8A	TCD-8A-BP	TCD-8A-BX
10A	TCD-10A-BP	TCD-10A-BX
12A	TCD-12A-BP	TCD-12A-BX
15A	TCD-15A-BP	TCD-15A-BX
20A	TCD-20A-BP	TCD-20A-BX
25A	TCD-25A-BP	TCD-25A-BX

Pill Box: Inches [mm]



* Retail packs are for cartridge style fuses only

Rev Date of issue Revision Notes

Designed Approved

G	12-11-2025	Updated Amperages	RC	OF
---	------------	-------------------	----	----