



Jafanda LLC.

1309 Coffeen Avenue STE 4304
Sheridan, Wyoming 82801
support@jafanda.com

EPA Est.NO.98581-CHN-1
Made In China

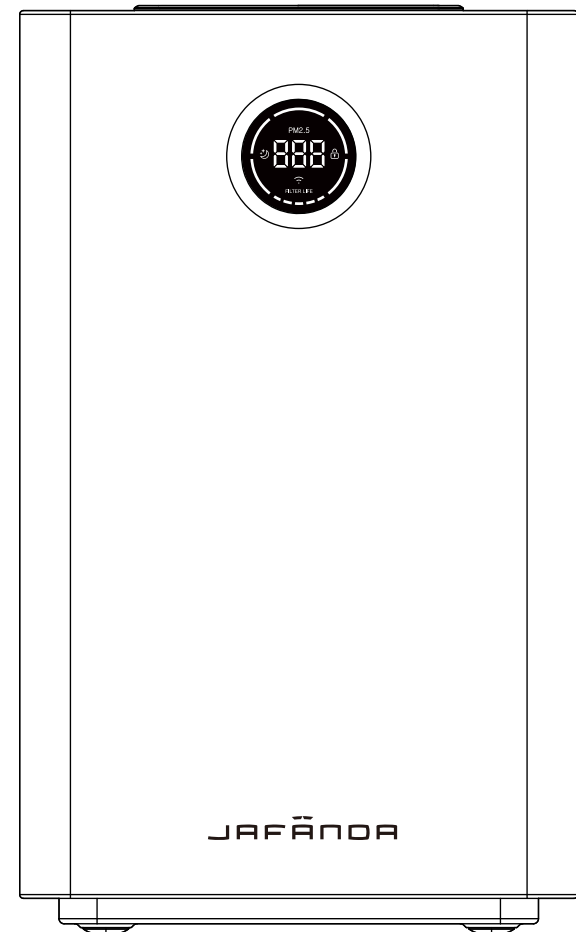


Meets California ozone
emissions limit.
CARB CERTIFIED

JAFANDA

JF260S Air Purifier User Manual

Please read the manual carefully and keep it for future reference.
Thank you for choosing us!



THANK YOU FOR YOUR PURCHASE!

Contact our support team by Email:
support@jafanda.com

Join the jafanda Community on Social Media



@JAFANDA.COM



TABLE OF CONTENTS

| | |
|-----------------------------------|----|
| Package content | 1 |
| Specifications | 1 |
| Safety information | 2 |
| Getting to know your air purifier | 3 |
| Touch panel controls | 4 |
| Product features | 5 |
| Operating instructions | 6 |
| Using your air purifier | 8 |
| Care & maintenance | 9 |
| Replacement filters | 10 |
| Troubleshooting | 11 |
| Warranty & Support | 12 |
| Returns & Refunds | 12 |

PACKAGE CONTENTS

PRODUCT TECHNICAL PARAMETERS

| | |
|---------------------|---------------------|
| JF260S air purifier | X 1 |
| Composite filter | X 2 (pre-installed) |
| Power adaptor | X 1 (DC 24V) |
| User manual | X 1 |




SPECIFICATIONS


PRODUCT TECHNICAL PARAMETERS


| | | | |
|---------------------------------------|---|------------------------------|---|
| Product Name | Air Purifier | Model | JF260S |
| Power Adapter (Input) | 100-240V~ 50/60Hz | Product size | 8.66x 8.66 x 14.41 in 22 x 22 x 36.6 cm |
| Power Adapter (Output) | 24V = 1.5A | Package Size | 11.42 x 10.24 x 16.06 in 29 x 26 x 40.8 cm |
| Rated Power | 32W | N.W. | 6.6lb/3.0kg |
| CADR (Clean Air Delivery Rate) | 153CFM (260m ³ /h) | G.W. | 8.6lb/3.9kg |
| Noise Level | Sleep Mode:22dB High Speed:53dB | Standby Power | < 0.5W |
| Operating Conditions | Temperature: 14°F-104 °F/-10 °C-40 °C Humidity: 20%-95% RH | Filter Life | 3000H |
| | | Recommended Room Size | 238ft ² (5 Times/h) 595ft ² (2 Times/h) 1190ft ² (1 Times/h) |


SAFETY INFORMATION

Read the instructions carefully and follow the following safety precautions when using this product!

| | |
|---|---|
|  Prohibitory sign | Any content with this logo must be avoided to prevent damages to the product and personal safety hazard. |
|  Warning sign | All contents with this logo should be operated in strict accordance with the requirements, to prevent damages to the product or personal safety hazard. |
|  Caution sign | Any content with this logo requires users' attention, otherwise it may cause product damage or other losses due to improper operation. |

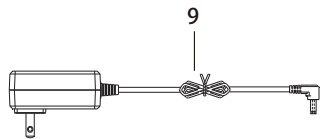
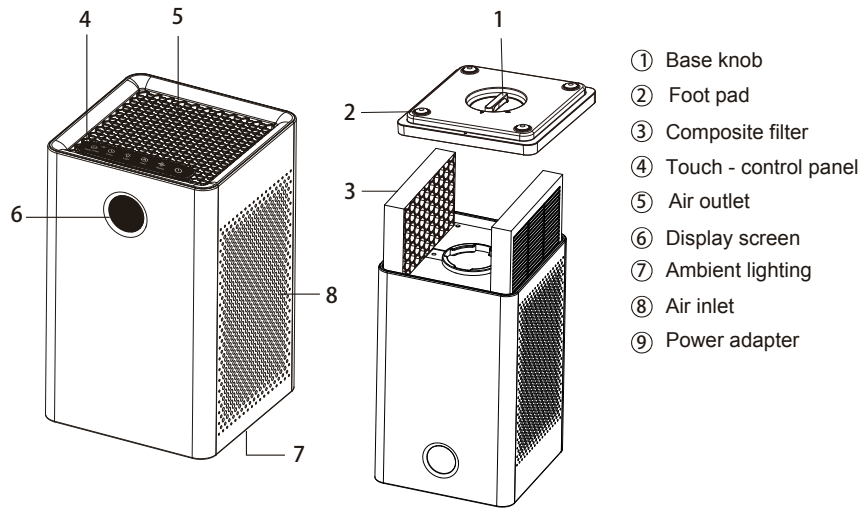
| | |
|---|--|
|  | Do not handle the the power plug when your hands are wet. |
| | Do not block the air inlet/outlet. |
| | Do not use the unit in places with heavy humidity such as lampblack or bathroom. |

| | |
|---|--|
|  | Do not clean or reuse the high-efficiency composite filter. |
| | Avoid unsupervised use by children, people with perceptual impairment, physical or intellectual disabilities. Make sure a safety person is present to supervise, provide guidance and assist in operating the machine. |

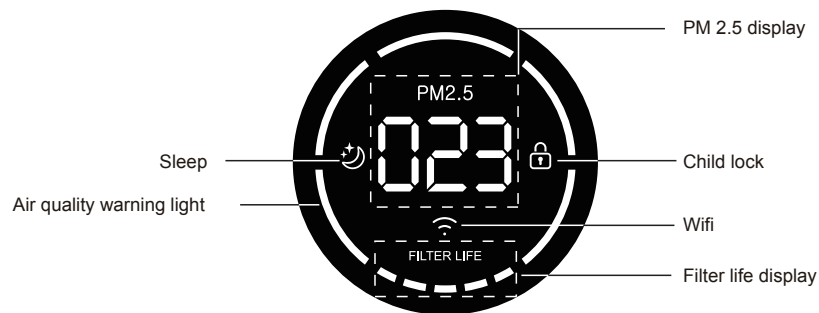
| | |
|---|--|
|  | Remove dust from the air purifier and power plug regularly. |
| | Use only the power adapter included with this product. |
| | Be careful when cleaning the air purifier. Strong corrosive cleaners may damage the unit's surface. |
| | Do not approach the device, nor place it on heat sources (such as fireplaces, heaters or places that may come into contact with flammable gases). |
| | Unplug the adapter from the power socket when cleaning the unit or when it's not in use. Otherwise, it may lead to electric shock or fire caused by short circuit due to poor insulation. |
| | Contains FCC ID: 2ANDL-WBR3 This device complies with part 15 of the FCC Rules. Operation is subject to the following two conditions: (1) This device may not cause harmful interference, (2) this device must accept any interference received, including interference that may cause undesired operation. |
| | This air purifier is suitable for floor standing. With caster wheels, it's easy to move in-house. Do not place the air purifier closer than 10cm/4" to wall or another object.. |

GETTING TO KNOW YOUR AIR PURIFIER

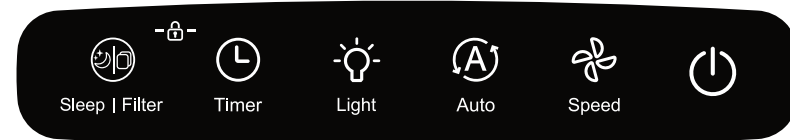
PRODUCT COMPONENT STRUCTURE AND NAME



DISPLAY SCREEN



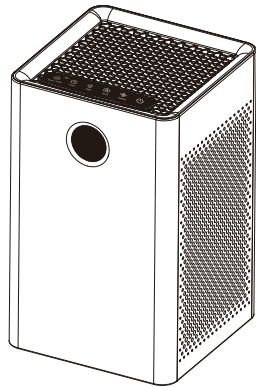
TOUCH PANEL



| ICON | NAME | DESCRIPTION |
|------|-----------------------|---|
| | POWER | Power the air purifier ON and OFF. |
| | SPEED | Adjust fan speed (1-5). |
| | SLEEP FILTER | Press the SLEEP button to enter the sleep mode when the purifier is working; If the icon becomes red, replace the filter screen. |
| | TIMER | Press this button to realize automatic switching on/off. |
| | LIGHT | Adjust the ambient light mode. |
| | AUTO | Press this key to enter automatic mode when working. The fan speed changes from 1 to 4 according to the PM2.5 concentration change. |
| | Child lock | Press and hold the “ + ” for more than 3 seconds in the working state to enter the child lock mode. |

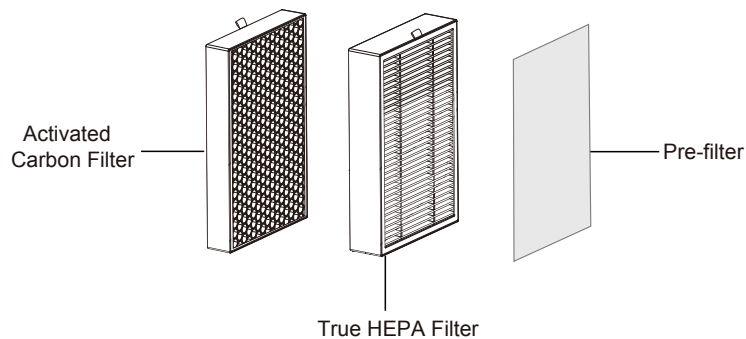
PRODUCT FEATURES

A VARIETY OF FUNCTIONS IN ONE



- Efficient purification of PM2.5, smoke, pollen and VOC, pet odor and other pollutants
- 5- speed wind
- Timer
- Filter replacement reminder
- Manual mode/Auto mode/Sleep mode
- Built-in PM2.5 sensor, digital display
- Ambient light
- WIFI connection

3-Stage Filtration



| | |
|--------------------------------|--|
| Pre-filter | Intercepts hair, dander, fibers and particles of all sizes. Can be vacuumed regularly. |
| True HEPA Filter | Removes at least 99.97% of airborne particles 0.3 micrometers (um) in diameter, Captures particles as small as 0.015 micrometers (um) , Filters small particles such as PM2.5, smoke, pollen, dust, and other pollutants |
| Activated Carbon Filter | High iodine value activated carbon, effective adsorption of VOC, cigarette odor, lampblack odor, pet odor and other harmful gases. |

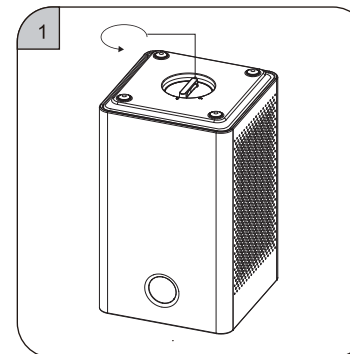
Note:
activated carbon filter, True HEPA filter and
Pre-filters are compounded in the same filter.

OPERATING INSTRUCTIONS

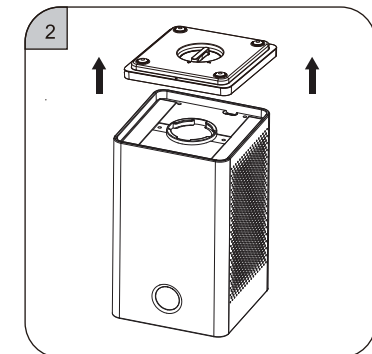


Precautions for use

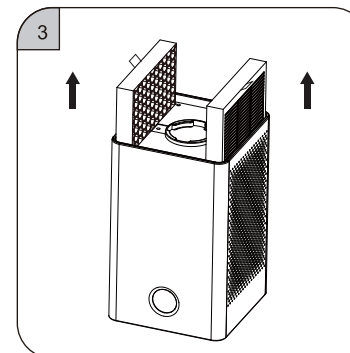
- All filters are included inside the air purifier.
- Before use, make sure the plastic bag outside the filter is removed and properly installed.



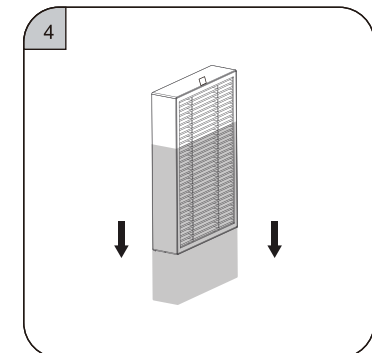
Make the product stand upside down and turn the knob on the base to open position according to the product's label.



Remove the base.

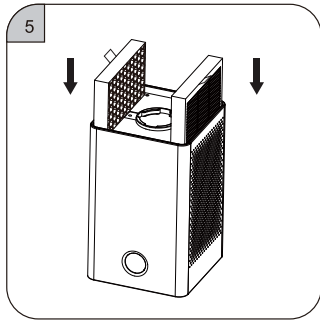


Remove the filter from the air purifier.

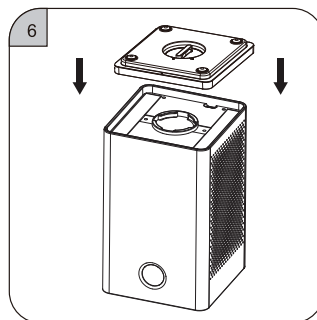


Remove the bags from the filter.

OPERATING INSTRUCTIONS

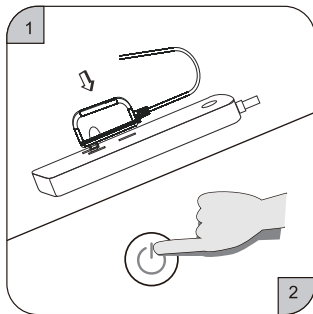


Put the filter without the bag back into the air purifier

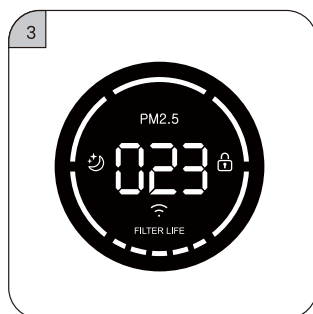


Cover the base and tighten the knob to the LOCK position in the marked direction.

GETTING STARTED



1. Plug in the power adapter. When the device is fully charged, the buzzer will emit a "ding" sound.
2. Touch the POWER switch key to start the purifier.



3. When the screen lights up, touch the relevant function keys and the machine will enter the working mode.

USING YOUR AIR PURIFIER

Power ON / OFF

Press "⏻" in the standby mode, the machine is ON, and the button is bright white.
Press "⏻" again to shut down. The button will become bright red, and enter the standby mode.

Speed

In the working state, press "🌀" when the wind speed button is fully lit, the machine will enter the manual mode, to manually set the fan running speed. Press "🌀", and select the machine speed (1-2-3-4-5 cycle).

Light

Touch "💡" to adjust the light brightness. Each touch will change the ambient light mode.

- 5 modes to choose:
1. 25% brightness
 2. 50% brightness
 3. 100% brightness
 4. shut off button, display screen and ambient light. 10s later, the sleep icon light off
 5. lit button and display screen, ambient light stays off

When the touch panel is completely black, press any key to wake up "💡".

Memory function

With the device powered ON, the machine will remember the previous wind speed and light settings each time it is turned on. But when the adapter is plugged back in, it will go back to its default state. Upon start, the machine will default to auto mode.

Child lock

This feature is designed to prevent misuse or accidental manipulation by pets or children. You cannot change the air purifier settings in this mode.

Press and hold the "🔒" + "⏻" for more than 3 seconds in the working state to enter the child lock mode. The child lock icon will light up on the display screen. All other buttons will remain OFF.

In the Child Lock mode, press and hold "🔒" + "⏻" for more than 3 seconds to exit the child lock function. Then the child lock icon on the display screen will go OFF.

Sleep | filter

When the machine is in SLEEP mode, it will continue to operate silently, with all indicators and ambient lights turned OFF.

Press "🌙" in the working state, and it will enter in SLEEP mode. Once in sleep mode, the SLEEP button and icon will remain ON, while all other icons and indicators are OFF. After 10 seconds, the SLEEP button and the SLEEP icon will go OFF, and the wind speed will adjust to the SLEEP mode.

When in SLEEP mode, press any button once to wake up the screen. The SLEEP button and icon will go ON. Press it within 10 seconds to exit the SLEEP mode.

Timer

Press "🕒", the timer button light will turn ON to set the timer. The screen will display the timer's set time. Each touch, will increase the timer by 1 hour, the value range is 0-12. When the value is 0, the timing can be canceled. Release the button and after 3 seconds the timer will be set. The timer will then start counting down.
press "🕒" in the working state to set timed shutdown;
press "🕒" in the standby state to set timed start.

Auto

Press "🔄" in the working state to enter the Smart mode. The Auto button will be fully lit, the wind speed will adjust to the PM2.5 concentration values, and the wind speed gear will be set between 1 and 4. The color of the air quality indicator will change according to the PM2.5 concentration values.

WiFi connection

Long press the "🔄" for 3 seconds, the WiFi icon flashes. Open the "Jafanda" APP and follow the APP's instructions to connect to WiFi (for details about the WiFi connection instructions, please refer to the APP operation guide).

The WiFi indicator light stops flashing and turns off if the WiFi connection is unsuccessful within 10 minutes.

The WiFi indicator light stays on after achieving the WiFi connection successfully.

| PM2.5 Value | Air quality | PM2.5 air quality indicator | Wind speed gear |
|-------------|-------------|-----------------------------|-----------------|
| 0-12 | Excellent | Green | 1 |
| 13-35 | Good | Blue | 2 |
| 36-55 | Poor | Yellow | 3 |
| >55 | severe | Red | 4 |

CARE & MAINTENANCE

THE ADAPTER MUST BE UNPLUGGED BEFORE ANY MACHINE MAINTENANCE OPERATION.

1. CLEANING THE BODY OF THE DEVICE (RECOMMENDED ONCE A MONTH):

- 1) Use a soft cloth to remove stains.
- 2) Stubborn stains that are not easy to clean can be wiped off with a soft cloth dipped in an appropriate amount of neutral detergent.

Note: do not use hard objects to scratch the machine shell. When removing the base, follow the instructions to avoid damaging machine parts.

2. FILTER CLEANING AND REPLACEMENT (RECOMMENDED ONCE EVERY 3-6 MONTHS):

- 1) Filter replacement will be reminded by the built-in program, which can be replaced according to the service life of the machine, or can be replaced in real time by the filter's mandatory service life reset function.

* The filter's life is about 3000 hours, and the 5 indicator lights will decrease by one every 600 hours. When the filter's remaining life is lower than 150 hours, the filter button will turn red, and the last indicator light will start flashing (1Hz) to warn the filter screen needs to be replaced.

When this happens, replace the filter and press the filter button to reset the filter's life indicator.

Filter life reset:

When the filter life is ≥ 150 hours, touching the filter's life reset button (3s) will not reset the filter's life, but only emit a "ding" sound. When the filter life is < 150 hours, the filter's life reset button will turn red: long press the filter's life reset button (3s). A "ding" sound will confirm the filter's life is reset. The filter's life reset is completed, and the indicator light of the filter life is fully on.

Mandatory reset of filter life:

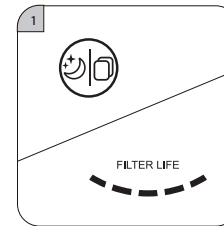
Plug it in. Tap and hold the "sleep button" + "Auto button" for more 3 seconds in standby status. Finish the resetting process within 30 seconds; When you hear the "ding" sound with all indicators lights on the screen flashing 3 seconds and then the screen goes off; Restart the machine, the indicator light of filter life will light up in work status.

- 2) when dust accumulates on the surface of the composite filter, you can use a vacuum cleaner to clean the surface dust, in order to extend the service life of the filter (it is recommended to clean once a month. Do not wash).

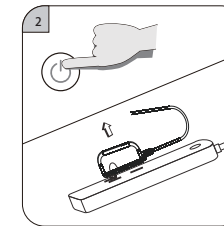
* Depending on the machine's environment, the filter's life will be different. For example, in places where people smoke and pets are present, the life of the screen is shorter. When the purification effect is not good, replace the filter in time.

* Please dispose the used waste filters according to the relevant regulations of solid waste.

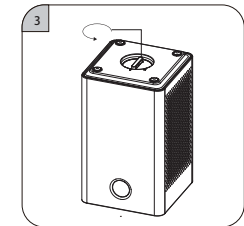
REPLACEMENT FILTERS



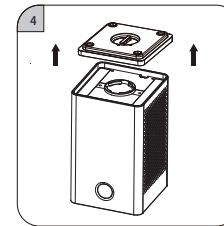
1. When the filter button has a red light and the remaining light of the filter's life indicator on the display screen starts flashing, the filter needs to be replaced.



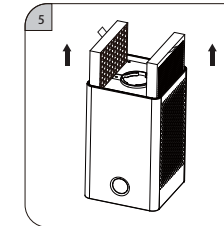
2. Touch the POWER button to turn off the machine and unplug the adapter.



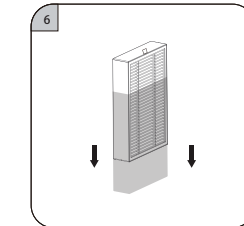
3. Turn the product upside down and open the knob on the base to the open position according to the product label.



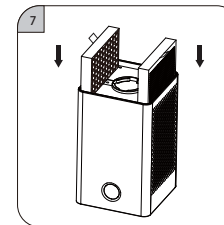
4. Remove the base.



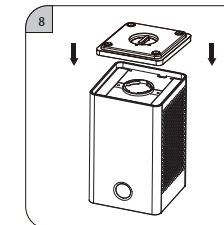
5. Remove the used filter screen from the machine.



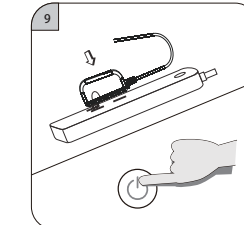
6. Remove the packing plastic bags of the new filters.



7. Put the new filters into the machine.



8. Cover the base and tighten the knob to the locking position in the marked direction.



9. Plug in the adapter and touch the POWER button to restart it.

Troubleshooting

| PROBLEM | POSSIBLE CAUSE | POSSIBLE SOLUTION |
|--|--|---|
| Product is not working properly | 1. The connection is faulty. 2. The base is not properly installed. | 1. Check whether the plug is inserted into the socket and whether the POWER ON/OFF button is turned on. 2. Reinstall the base. |
| Fresh air doesn't flow smoothly out of the outlet | 1. The plastic package of the new air filter has not been removed. 2. The air outlet of the purifier is blocked by foreign objects. | 1. Remove the packing plastic bag first. 2. Remove foreign bodies. |
| The machine makes an abnormal sound during operation | 1. The air intake vent or air exhaust vent is blocked by foreign bodies. 2. Foreign objects fall into the air duct of the machine. | 1. Please move the obstructing object. 2. Remove the foreign body. |
| After replacing the filter, the filter replacement indicator is still blinking | 1. The filter's reset button was not pressed. | 1. Long press the filter button for more than 3 seconds. The filter reset is completed after the "ding". |
| Feel the wind weakening | 1. The life of the filter has expired, or the filter is blocked by hair. | 1. Use a vacuum cleaner to clean dust and hair on the surface of the filter; Replace the expired filter screen. |
| The air purifier gives off a bad smell | 1. The concentration of environmental pollutants may be too high, and the filter screen may suffer early saturation. | 1. The filter needs to be replaced to avoid secondary pollution. |

The most Frequently Asked Questions about this product are listed here. If you cannot find the answer to your question, please contact our after-sales service department.

Warranty & Support

Jafanda products have a One Year warranty from the date of purchase and a Free Extended One -Year warranty after registering your product with your order and purchase date via <https://www.jafanda.com/pages/warranty-registration>. Jafanda always takes responsibility for all our products. Jafanda always pays high importance to the customer's purchase experience and satisfaction.

Returns & Refunds

If for any reason you are not fully satisfied with your purchase experience within 30 days, we are happy to help with a replacement or refund. For more detail, please visit our after-sales website page: <https://www.jafanda.com/policies/refund-policy>.