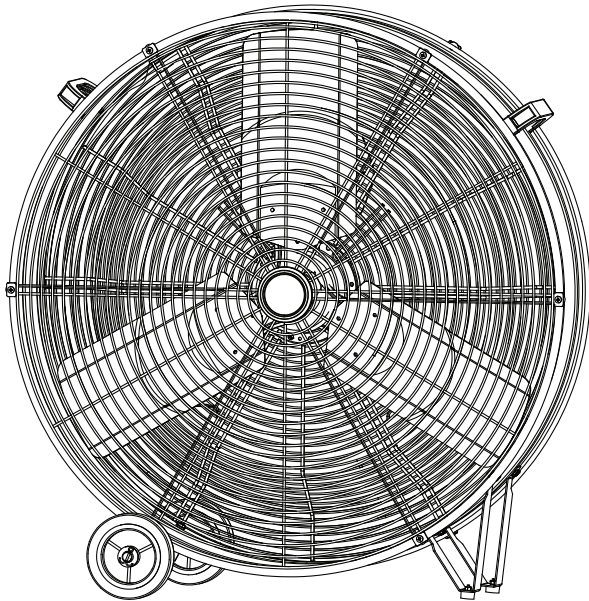


# HICFM

## USER MANUAL AND OPERATING INSTRUCTIONS

READ & SAVE THESE INSTRUCTIONS



## 30" HEAVY DUTY INDUSTRIAL DC DRUM FAN

120V / 60Hz, 3.3 A

ITEM NO.: FAN-D30FDC

MODEL NO.: SFDE-750F-DC



If you have any questions or comments about this or any product, please e-mail our customer service by [inquiry@hicfm.com](mailto:inquiry@hicfm.com)

[www.hicfm.com](http://www.hicfm.com)

## SAFETY INFORMATION

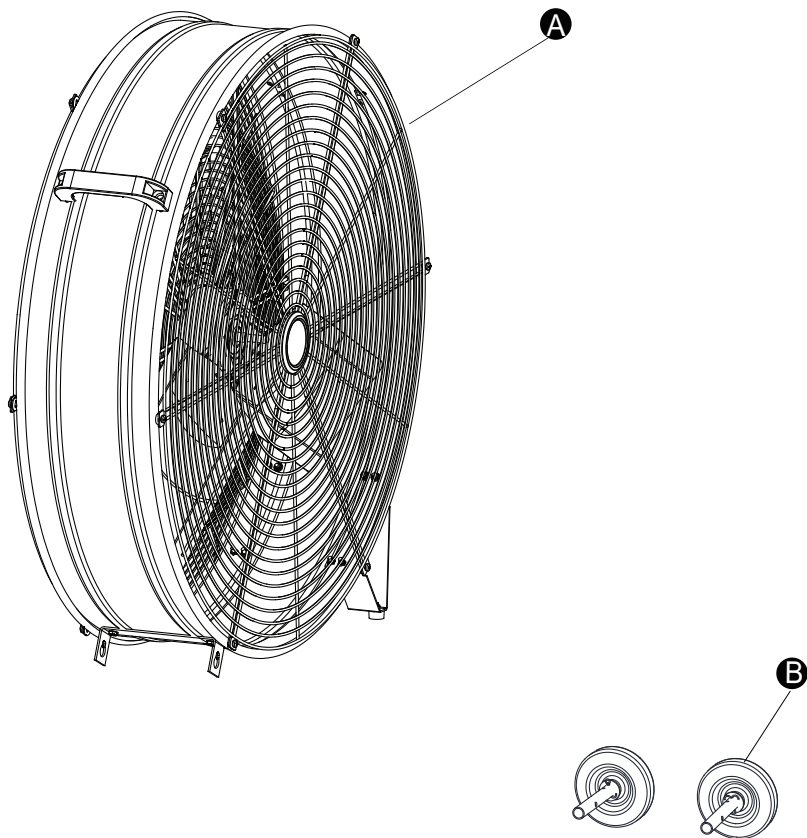
### WARNING

1. Read and save these instructions. Do not operate fan unless you have read these instructions.
2. Unplug the fan before moving it or performing maintenance. Do not touch the fan when your hands are wet.
3. Those who are not qualified electricians should not disassemble, repair or rebuild the fan.
4. Unplug the fan when it is not in use.
5. DO NOT unplug the fan by pulling the cable cord. Unplug by holding the plug and pulling.
6. DO NOT use the fan when there is damage to the cable cord or plug. If the supply cord is damaged, it has to be replaced by the manufacturer, its service agent or similarly qualified persons.
7. To Reduce The Risk Of Fire, Electric Shock Or Injury To Persons, Do Not Use Replacement Parts That Have Not Been Recommended By The Manufacturer (e.g. Parts Made At Home Using A 3D Printer).
8. DO NOT use the fan close to fires.
9. DO NOT insert your hand or other objects into the grille or the movable parts.
10. To reduce the risk of fire or electric shock, do not use this fan with any solid-state speed control device.
11. DO NOT use this fan outdoors, this fan is designed for indoor use only.
12. To Reduce The Risk Of Fire Or Electric Shock Do Not Use With An Extension Cord.

### CAUTION



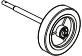
1. Unplug the fan from the socket and clean it with a soft cloth.
2. DO NOT immerse the fan.
3. Fit the guard onto fan before starting up the fan.
4. This fan is not intended for use by people (including children) with reduced physical, sensory or mental capabilities or lack of experience and knowledge unless they have been given supervision or instruction concerning use of the fan by a person responsible for their safety. Supervise children to ensure they do not play with the fan.

# PACKAGE CONTENTS



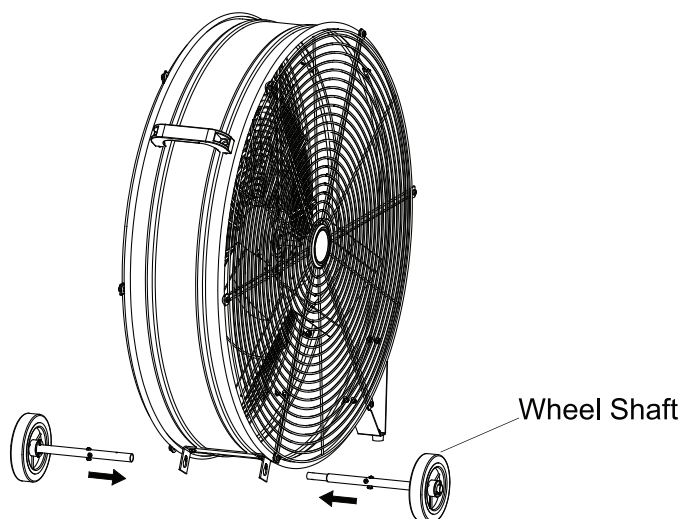
Part	Description	Quantity
<b>A</b>	Fan Body	1
<b>B</b>	Wheel	2

## PARTS LIST

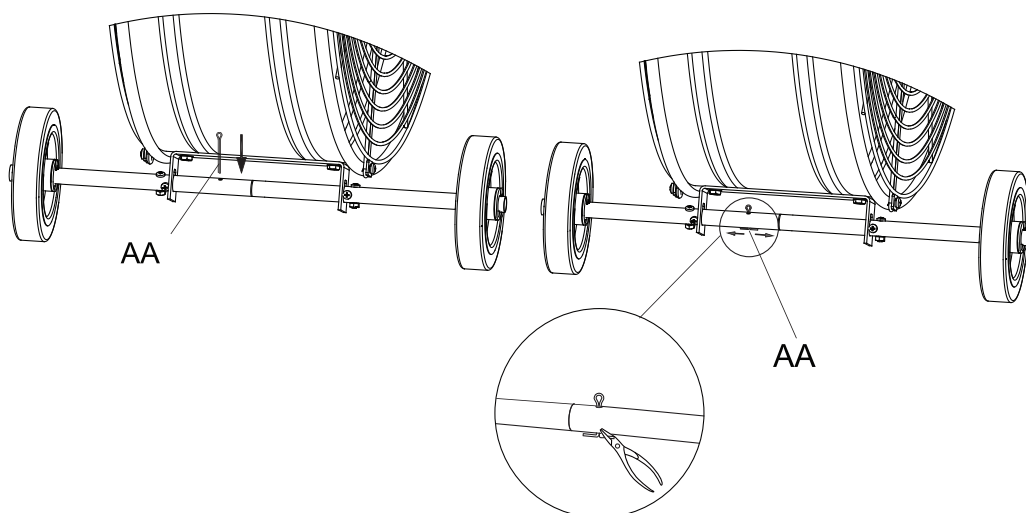
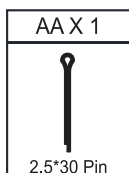
AA X 1	BX1	BX1
 2.5*30 Pin		

## ASSEMBLY INSTRUCTION

1. Assembly the Wheels by inserting the Wheel Shafts into the Base Bracket.



2. Take the Split Pin through the hole of Wheel Shafts, and open it for secure the wheels location.

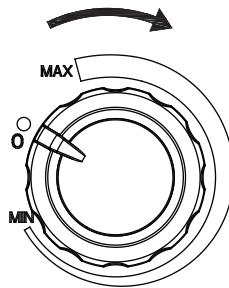


## OPERATION INSTRUCTION

1. Place the fan on a safe, flat surface where it can fall or be pulled by the cord.
2. Fan Speed Control:

This switch turns on and off the power. If you want to shut the fan off at any time during operation, turn the switch to Power Off position and unplug the fan.

Adjust the fan to your desired speed by turning the switch knob clockwise, from the highest speed to the lowest speed.



MAX- The Highest Speed  
MIN - The Lowest Speed

## CARE AND MAINTENANCE

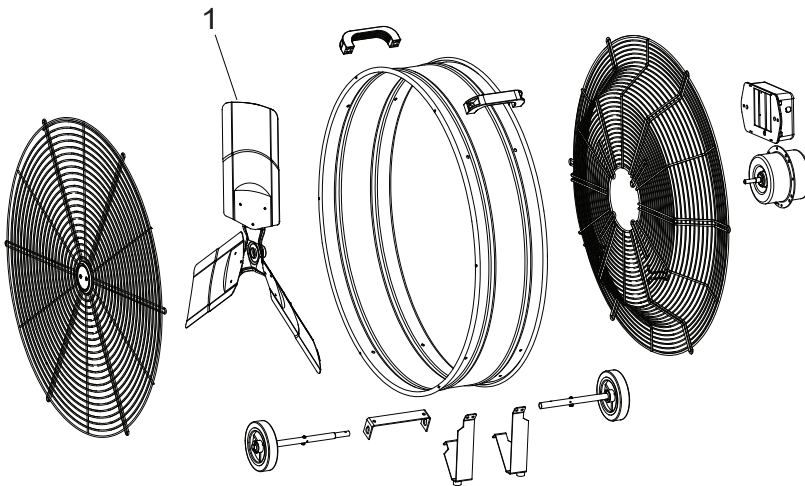
Unplug the appliance before cleaning. Don't use any water for cleaning metal surfaces. Slightly moisten a cloth and wipe off the surfaces of the fan. In order to remove the dust from the grill, use a vacuum cleaner or remove the front grill by removing the securing screws on the edge of the grill. After cleaning, remount the grill. After doing this, fasten the screws on the edge of the grill.

## 1-YEAR LIMITED WARRANTY

The manufacturer warrants this product to be free from manufacturing defects in the material and workmanship under normal use for a period of one year after the date of purchase by the original purchaser.

This warranty does not cover transit damages. This warranty does not apply to damages from accident, misuse, alteration of any kind to the fan or where the connected voltage is more than above the nameplate voltage. This warranty does not apply to the finish on any portion of the product. Servicing performed by unauthorized persons shall render the warranty invalid. The warranty is not responsible for damages of any kind, including accident and consequential damages. Some states do not allow the exclusion or limitation of the incidental or consequential damages, so the above exclusion or limitation may not apply to you. This warranty gives you specific legal rights, and you may also have other rights which vary from state to state.

## REPLACEMENT PARTS LIST



Part	Description	Part #
1	Blade	FAN-D30FDC-1