

EMT Steel Set Screw Connector

Size Range: 1/2" - 4" 2 1/2" thru 4" are UL Listed & Approved for Use on Both EMT & Rigid

Product Series: SS - EMT Set Screw Connector

Material: Solid Alloy Steel Construction

Zinc Plated with a Chromate Finish

Made in the USA

Features:

Precision Machined Body and Scw Holes

Fully Avoids Cracking or Distortion from Tightening Set Screws

AMFICO *EZ Torque* Tri-Head Steel Screws Will Not Crack, Vibration Resistant

May be Installed Using Slotted, Phillips or Robertson Driver

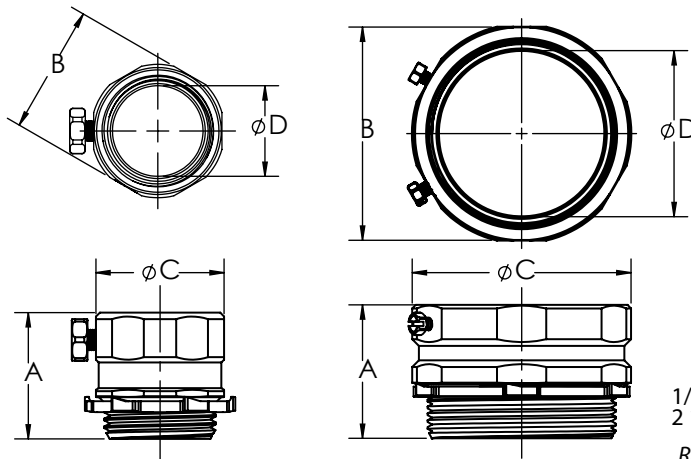
UL Rated Concrete Tight When Taped

Twice the Strength and Durability of ALL Die Cast and Malleable Products

Industrial SPEC-grade



Set Screw Connector Available with an Insulated Bushing*



Furnished with a UL Listed Steel Locknut

1/2" thru 2" have one set screw per end
2 1/2" thru 4" have two set screws per end

Recommended Torque 160-200 in-lb

Cat #	TRADE SIZE	A LENGTH	B HEX	C DIAMETER	D DIAMETER	Wt. Per/C
SS50US	1/2"	1-1/4"	15/16"	1"	9/16"	10
SS51US	3/4"	1-1/4"	1-3/16"	1-1/4"	13/16"	13
SS52US	1"	1-9/16"	1-7/16"	1-1/2"	1-1/16"	21
SS53US	1-1/4"	1-3/4"	1-13/16"	1-7/8"	1-3/8"	33
SS54US	1-1/2"	2"	2-1/16"	2-3/16"	1-9/16"	46
SS55US	2"	2"	2-9/16"	2-11/16"	2"	62
ERS250CONN (1)	2-1/2"	2-1/2"	3-1/4"	3-7/16"	2-7/16"	117
ERS300CONN (1)	3"	2-9/16"	3-15/16"	4"	3"	167
ERS350CONN (1)	3-1/2"	2-9/16"	4-7/16"	4-9/16"	3-1/2"	206
ERS400CONN (1)	4"	2-9/16"	4-15/16"	5-1/8"	3-15/16"	247

(1) 2 1/2" to 4" are UL Listed & Approved for use on BOTH EMT & Rigid Conduit. Product is stamped accordingly.

Compliances:

Certified Made in the USA

UL 514B, 467

Set Screw Fittings Concrete Tight When Taped

NEMA Standard FB1

Federal Standard A-A-50553

Certified for MIL-STD 810 Sinusoidal Vibrations

CSA Standard: C22.2 No. 18F

RoHS Compliant

REACH Compliant

CA Prop 65 Compliant

UNSPSC 39121434



Available OPTIONS:

* Factory Installed 105° UL Rating Insulated Bushing-

For this Option, Add Suffix B to Above Cat Number

Color Coded Painted (powder coated) Fittings- *See Catalog Page*