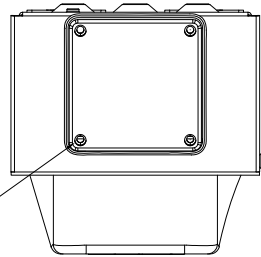


CORDTEC POWER CORPORATION
CONFIRMED

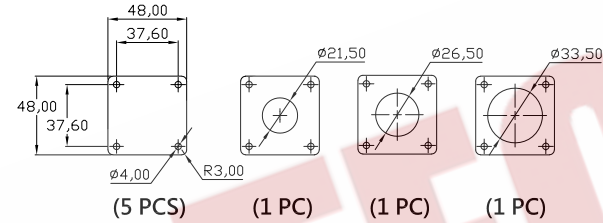
2025.08.24

ChenTony

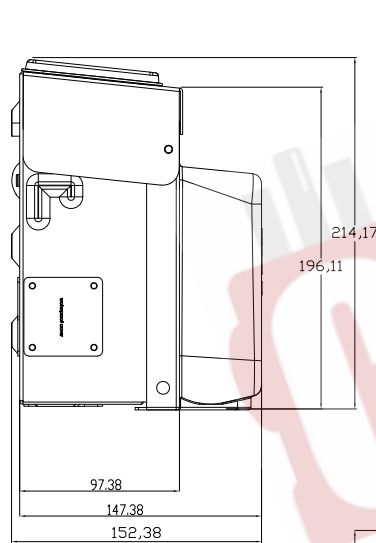
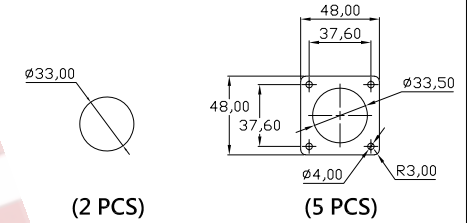


Add waterproof gaskets*4PCS

BAFFLE TYPE

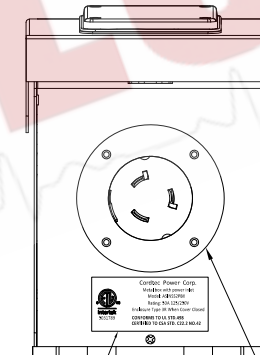
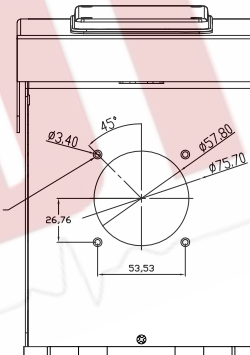


WATERPROOF PAD



EMBOSS LOGO

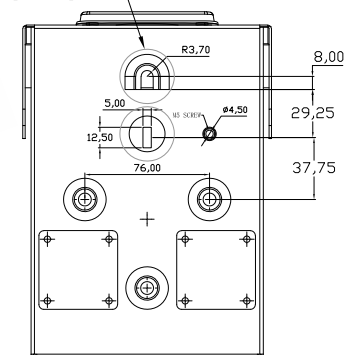
Attack M4 screw teeth (4PCS)



ETL LABEL

Transparent background with black words.

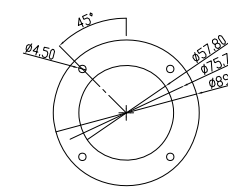
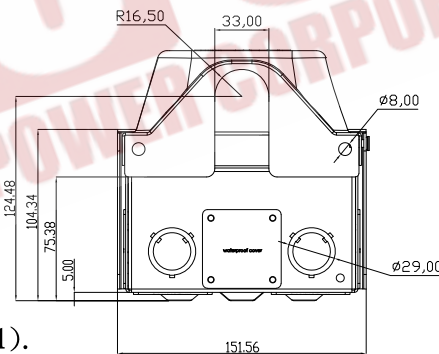
Internally stick waterproof pads.



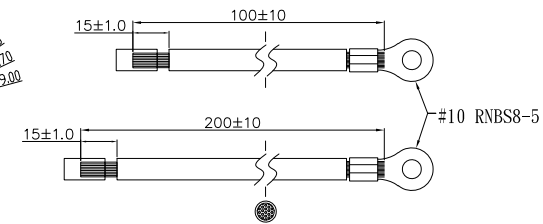
SS2-50P component provided by customer

NOTE :

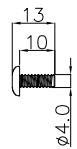
- 1.PC/Box(Add Product User Manual).
- 2.6PCS/CTN.
- 3.Put two cardboards in each carton.
- 4.Parts package(3 pieces each of ΦM6*35PA screws and waterproof pads)/PC.



SS2-50P
Power Inlet Seal Pad



STW 8AWG GREEN (2PCS)



Φ4*13PM Screw(4PCS)



AC Connectors of Cordtec Power Corp
Main:1-414-434-2220 Fax:1-414-323-8386
Text:1-414-323-3240
Email: Info@CordtecPower.com
Website: CordtecPower.com/ ACWORKS.com

UNIT:MM.

ITEM: ASINSS2PBX-G

DWG NO. :1 of 1

CUSTOMER:CORDTEC

MATERIAL	DATE	SCALE	REV	DRAWN	CHECKED	APPROVED
Iron	2025.08.25		3.0	Alex		