

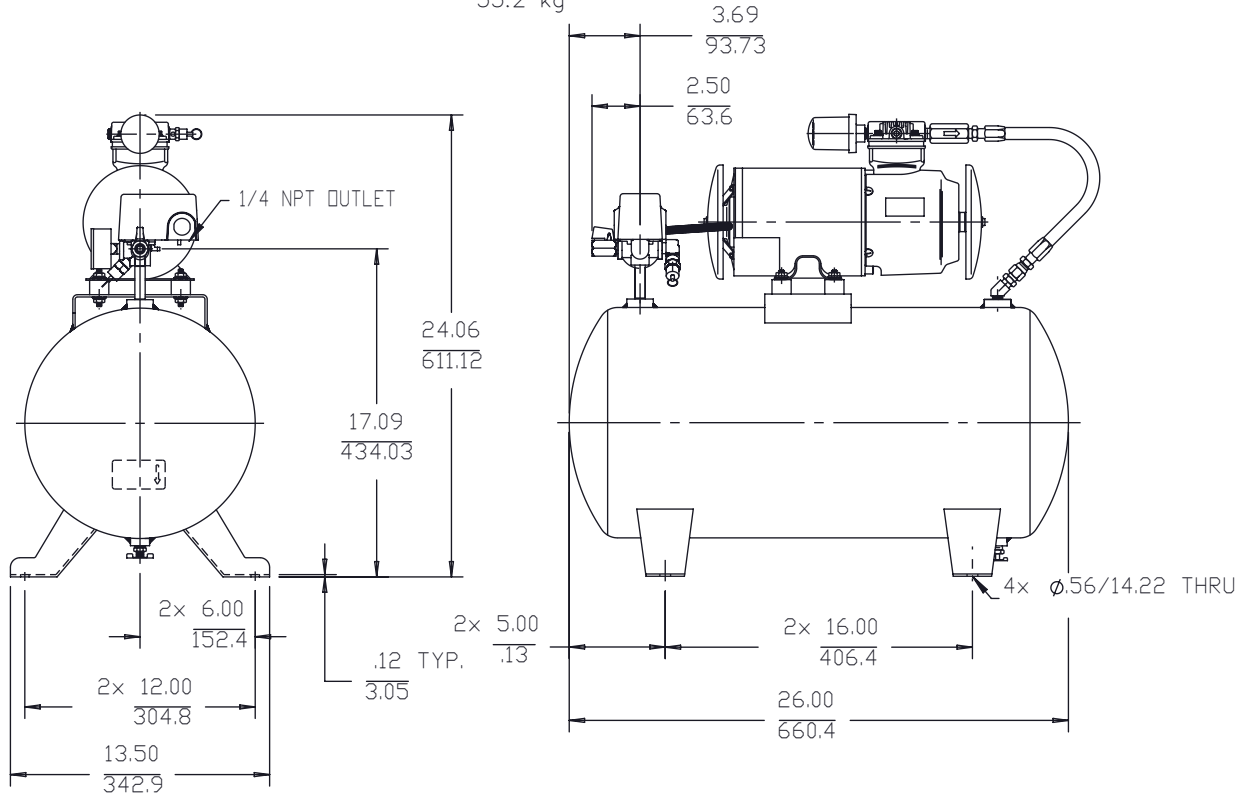
# Product Specifications



GAST MANUFACTURING, INC.  
 A Unit of IDEX Corporation  
 Post Office Box 97  
 Benton Harbor, Michigan  
 Ph: 269/926-6171  
 Fax: 269/925-8288

Model/Modèle/Modelo	V	HP	kW	Hz	Part Number	Revision
2LAF-46T-M200EX	115	1/4	0.19	60	RTD655A	B

1725  
 <75dBA  
 +5  
 +40 °C  
 20-80%  
 78 lbs.  
 35.2 kg



### NOTES:

1. ALL DIMENSIONS ARE FOR REFERENCE USE ONLY.
2. PRODUCT DIMENSIONS: U.S. IMPERIAL (inches) METRIC (mm).
3. TECHNICAL DATA SUBJECT TO CHANGE WITHOUT NOTICE.
- 4 ENVIRONMENT: CLEAN DUST FREE.
5. FACTORY SETTING: CUT-IN 30 PSI/ 2 PSI/CUT-OUT 50 PSI/ 2 PSI.

### PRODUCT PERFORMANCE

