



ALTUS™

Wall Sconce



SKU #	Model #
156258	MT-WS16AD-W83C-864-011D
156259	MT-WS22AD-W83C-1454-011D
157021	MT-WS22AD-W83C-1454-011D

Beyond LED Technology's ALTUS LED Wall Sconce is a feature- rich lighting solution designed to bring functional elegance and brightness to any space. Available in two models, the first model offers adjustable wattage and adjustable CCT in 8-inch and 14-inch sizes, allowing you to customize the light output to meet various lighting needs. The second model features a fixed wattage of 22W and adjustable CCT, available in 14-inch size, with the added convenience of an on/off photocell switch for automatic operation.

Crafted with a sturdy aluminum frame, the ALTUS is built to endure the elements, offering weather resistance and durability for both indoor and outdoor applications. Its sleek black housing adds a touch of classical elegance, making it the perfect fit for modern commercial spaces, hotel lobbies, restaurants, and luxury hospitality settings.

Product Features

- Up to 120 lm/W
- Adjustable Wattage
- Adjustable CCT
- 270° beam angle
- Black housing
- Input Voltage 120-277VAC
- ETL & ES Listed
- 5-year warranty

ALTUS™

Wall Sconce



SKU	ADJ. WATT	MAX LUMENS	ADJ. CCT	INPUT VOLTAGE	CRI	SIZE	LIGHT SPREAD	CONSTRUCTION	PHOTOCELL	IP RATING	CERTIFICATIONS
156258	12W/14W/16W	1920	3K/4K/5K	120-277V	>80	8"	270°	Aluminum+PC	N/A	IP66	ETL & ES
156259	18W/20W/22W	2640	3K/4K/5K	120-277V	>80	14"	270°	Aluminum+PC	N/A	IP66	ETL & ES
157021	22W	2640	3K/4K/5K	120-277V	>80	14"	270°	Aluminum+PC	Built-in Photocell On/Off switch	IP66	ETL & ES

SKU: 156258

Specifications

Parameter	Description	Value
General Performance	Model #	MT-WS16AD-W83C-864-011D
	Adjustable Watt	12W / 14W / 16W
	Max Lumens	1920
	Lumen Efficacy	Up to 120LM/W
	Color Temperature	3000K / 4000K / 5000K
	CRI (Ra)	>80
	Light Spread	270°
	Diffuser Type	Frosted
Electrical	Input Voltage	120-277Vac
	Frequency	50/60Hz
	Dimming	NO
	Power Factor	>0.9
	Driver Surge Protection	2KV
	Flicker Percent	20%
Physical	Operating Temperature	-20°C To 40°C
	Operating Humidity	10% to 90%RH
	Storage Temperature	-20°C To 55°C
	Storage Humidity	10% to 90%RH
	LED Brand	Everlight
	LED Type	2835 SMD LED
	LED QTY	168Pcs
	Construction	Weather Proof Plastic
Qualification	Housing Color	Black
	IP Rating	IP66
	Warranty	5 Year Limited



ALTUS™

Wall Sconce

SKU: 156259

Specifications

Parameter	Description	Value
General Performance	Model #	MT-WS22AD-W83C-1454-011D
	Adjustable Watt	18W / 20W / 22W
	Max Lumens	2640
	Lumen Efficacy	Up to 120LM/W
	Color Temperature	3000K / 4000K / 5000K
	CRI (Ra)	>80
	Light Spread	270°
	Diffuser Type	Frosted
Electrical	Input Voltage	120-277Vac
	Frequency	50/60Hz
	Dimming	NO
	Power Factor	>0.9
	Driver Surge Protection	2KV
	Flicker Percent	20%
Physical	Operating Temperature	-20°C To 40°C
	Operating Humidity	10% to 90%RH
	Storage Temperature	-20°C To 55°C
	Storage Humidity	10% to 90%RH
	LED Brand	Everlight
	LED Type	2835 SMD LED
	LED QTY	192Pcs
	Construction	Weather Proof Plastic
Qualification	Housing Color	Black
	IP Rating	IP66
	Warranty	5 Year Limited

ALTUS™

Wall Sconce



SKU: 157021

Specifications

Parameter	Description	Value
General Performance	Model #	MT-WS22AD-W83C-1454-011D
	Watt	22W
	Max Lumens	2640
	Lumen Efficacy	Up to 120LM/W
	Color Temperature	3000K / 4000K / 5000K
	CRI (Ra)	>80
	Light Spread	270°
Electrical	Diffuser Type	Frosted
	Input Voltage	120-277Vac
	Frequency	50/60Hz
	Dimming	NO
	Power Factor	>0.9
	Driver Surge Protection	2KV
Physical	Flicker Percent	20%
	Operating Temperature	-20°C To 40°C
	Operating Humidity	10% to 90%RH
	Storage Temperature	-20°C To 55°C
	Storage Humidity	10% to 90%RH
	LED Brand	Everlight
	LED Type	2835 SMD LED
Qualification	LED QTY	192Pcs
	Construction	Weather Proof Plastic
	Housing Color	Black
	IP Rated	IP66
	Warranty	5 Year Limited

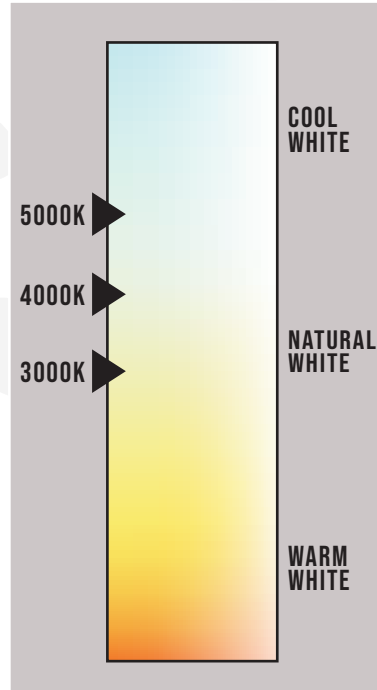
WALL SCONCE



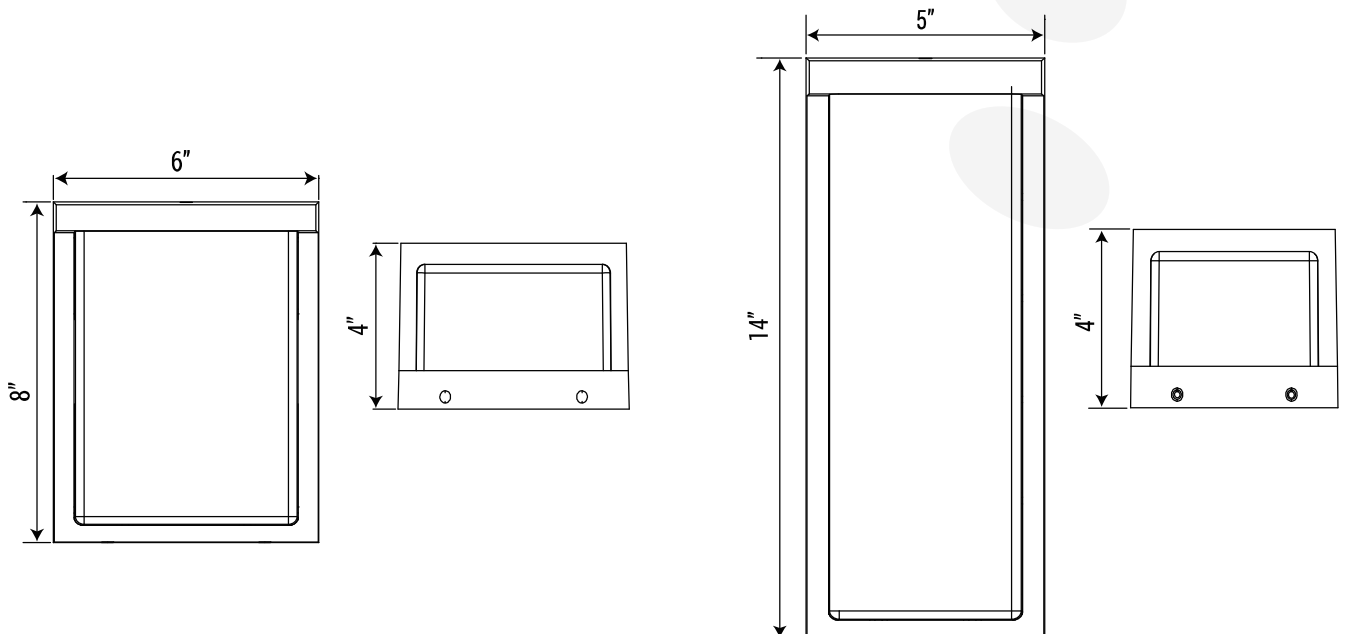
ALTUS™

Wall Sconce

Correlated Color Temperature (CCT)



Dimensions



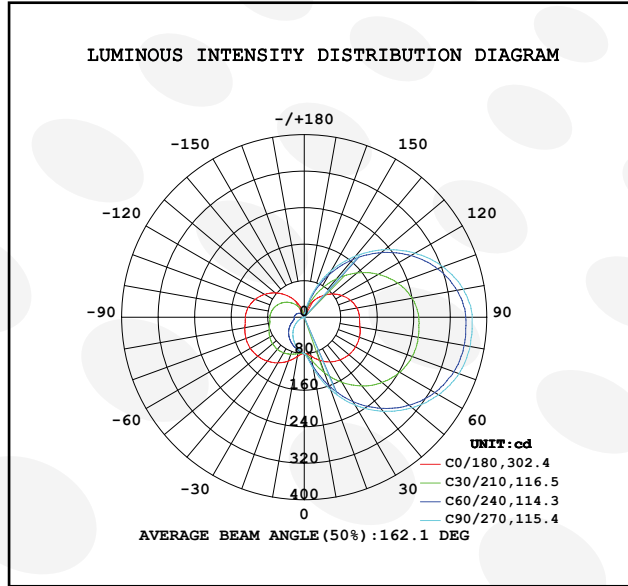
ALTUS™

Wall Sconce



SKU: 156258

Photometric Data



AAI Figure

Flux out: 449.2 lm

1m	47.66, 146.61x	341.45cm
2m	11.92, 36.651x	682.90cm
3m	5.296, 16.291x	1024.35cm
4m	2.979, 9.1641x	1365.80cm
5m	1.906, 5.8651x	1707.25cm
6m	1.324, 4.0731x	2048.70cm
7m	0.9727, 2.9921x	2390.14cm
8m	0.7447, 2.2911x	2731.59cm
9m	0.5884, 1.8101x	3073.04cm
10m	0.4766, 1.4661x	3414.49cm

Height Eavg, Emax Angle: 119.28deg Diameter

Note: The Curves indicate the illuminated area and the average illumination when the luminaire is at different distance.

WALL SCONCE

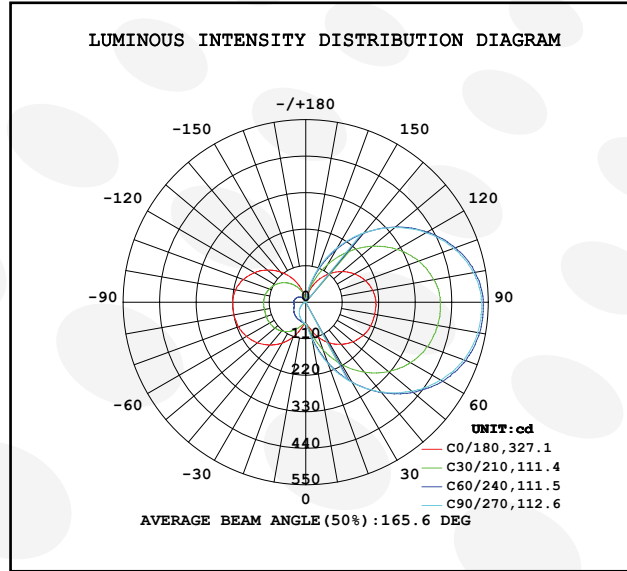


ALTUS™

Wall Sconce

SKU: 156259 / 157021

Photometric Data



AAI Figure

Flux out: 584.1 lm

Height	Eavg, Emax	Angle: 118.86deg	Diameter
1m	61.97, 183.21x		338.61cm
2m	15.49, 45.811x		677.22cm
3m	6.886, 20.361x		1015.83cm
4m	3.873, 11.451x		1354.44cm
5m	2.479, 7.3301x		1693.05cm
6m	1.721, 5.0901x		2031.66cm
7m	1.265, 3.7401x		2370.27cm
8m	0.9683, 2.8631x		2708.88cm
9m	0.7651, 2.2621x		3047.48cm
10m	0.6197, 1.8321x		3386.09cm

Height Eavg, Emax Angle: 118.86deg Diameter

Note: The Curves indicate the illuminated area and the average illumination when the luminaire is at different distance.

ALTUS™

Wall Sconce



Installation

WARNING

PLEASE READ ALL INSTRUCTIONS BEFORE ATTEMPTING INSTALLATION

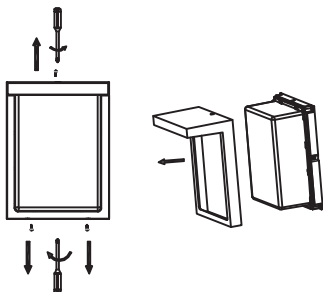
- To prevent personal injury or product damage only licensed electricians should install.
- To avoid electric shock or component damage disconnect power before attempting installation or servicing. Disconnect product and allow cooling prior to servicing.
- Any alteration or modification and/or electrical shock this product is forbidden, as it may cause personal injury, death, property damage and/or product malfunction.
- This luminaire is designed to operate in ambient temperatures ranging from -40oC to 50oC (-40oF to 122oF)
- MIN 75 °C SUPPLY CONDUCTORS.
- CONSULT A QUALIFIED ELECTRICIAN TO ENSURE CORRECT BRANCH CIRCUIT CONDUCTOR.

Mounting Bracket

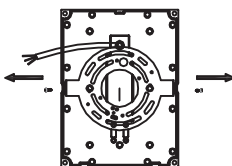


Installation Method A

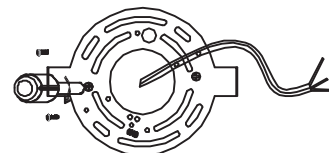
Step 1: Remove the 3 screws on the PC frame, one on the top and the other two at the bottom, then take out the PC frame.



Step 2: Remove the screws on both sides of the light and take out the installation bracket.



Step 3: Screw the bracket onto the wall.

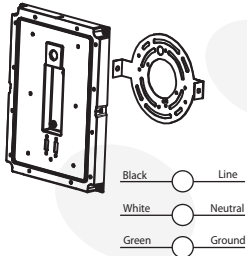




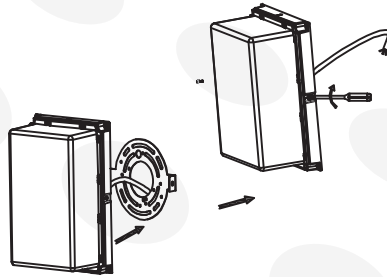
ALTUS™ Wall Sconce

Installation

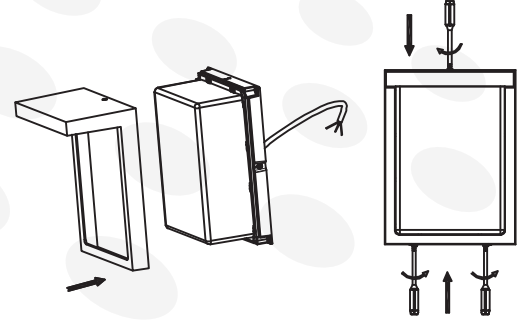
Step 4: Connect the light cable to the power input cable.



Step 5: Screw and fasten the light on the bracket with screws on both sides of the lights.

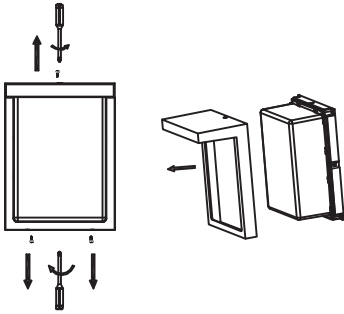


Step 6: Screw and fasten the PC frame back to the light with one screw on the top and two screws at the bottom.



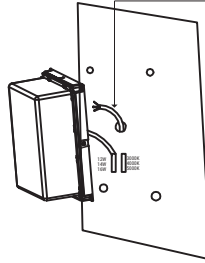
Installation Method B

Step 1: Remove the 3 screws on the PC frame, one on the top and the other two at the bottom, then take out the PC frame.

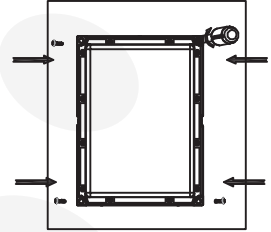


Step 2: Connect the light cable to the power input cable.

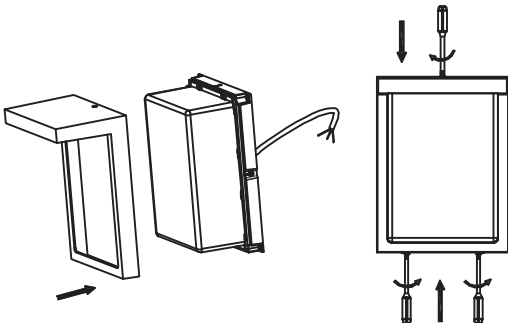
Attention: The screw hole on top of the light is mounted facing to front part of the light.



Step 3: Screw and fasten the light to the wall with 4 KA5X12 screws on the 4 corners of the light.



Step 4: Screw and fasten the PC frame back to the light with one screw on the top and two screws at the bottom.



ALTUS™

Wall Sconce



Packaging

SKU	Box Dimensions	Qty	NET Weight	Gross Weight
156258	20.2"7 x 13" x 8.85"	10 Pcs/Box	13.22LBS	15.21LBS
156259	20.27" x 11.22" x 14.76"	10 Pcs/Box	16.75LBS	18.30LBS
157021	20.27" x 11.22" x 14.76"	10 Pcs/Box	16.75LBS	18.30LBS

Application Picture



WALL SCONCE



ALTUS™

Wall Sconce

Application Picture



Warranty

This product is covered under a 5-year warranty. For complete warranty details, [Click Here.](#)