

## **FPM-700/700W/700SW Series**

**15" XGA / 17" SXGA / 19" SXGA  
Industrial Monitors with Resistive  
Touch, Direct HDMI, DP, and VGA Ports**

**15.6"/21.5"/23.8" Full HD Industrial  
Monitor with PCAP Touch, Direct  
HDMI, DP, and VGA Ports**

**10.1" WUXGA Industrial Monitor with  
P-CAP Touch Control, Direct HDMI, DP,  
Type-C**

**ADVANTECH**

*Enabling an Intelligent Planet*

# 限用物質含有情況標示聲明書

## Declaration of the Presence Condition of the Restricted Substances Marking

設備名稱：液晶顯示器		型號（型式）：FPM-715-R9AE, FPM-715W-P9AE				
Equipment name		Type designation (Type): FPM-717-R9AE, FPM-719-R9AE				
單元 Unit	限用物質及其化學符號 Restricted substances and their chemical symbols					
	鉛 Lead (Pb)	汞 Mercury (Hg)	鎘 Cadmium (Cd)	六價鉻 Hexavalent chromium (Cr <sup>+6</sup> )	多溴聯苯 Polybrominated biphenyls (PBB)	多溴二苯醚 Polybrominated diphenyl ethers (PBDE)
電路板	—	○	○	○	○	○
內外殼 (外殼、內 部框架 … 等)	○	○	○	○	○	○
其它固定 組件 (螺 絲、夾具、 卡榫)	—	○	○	○	○	○
配件 (滑鼠、鍵 盤、電源 線、排線、 傳輸線、 網路線 … 等)	—	○	○	○	○	○
液晶面板	—	○	○	○	○	○
觸控模組	—	○	○	○	○	○
備考 1. “超出 0.1 wt %” 及 “超出 0.01 wt %” 係指限用物質之百分比含量超出百分比含量基準值。 Note 1. “Exceeding 0.1 wt %” and “exceeding 0.01 wt %” indicate that the percentage content of the restricted substance exceeds the reference percentage value of presence condition.						
備考 2. “○” 係指該項限用物質之百分比含量未超出百分比含量基準值。 Note 2. “○” indicates that the percentage content of the restricted substance does not exceed the percentage of reference value of presence.						
備考 3. “—” 係指該項限用物質為排除項目。 Note 3. The “-” indicates that the restricted substance corresponds to the exemption.						

# 限用物質含有情況標示聲明書

## Declaration of the Presence Condition of the Restricted Substances Marking

PLM MDR NO: MDR-007787

設備名稱：液晶顯示器 Equipment name		型號（型式）：FPM-721W-P9AE Type designation (Type)				
單元 Unit	限用物質及其化學符號 Restricted substances and their chemical symbols					
	鉛 Lead (Pb)	汞 Mercury (Hg)	鎘 Cadmium (Cd)	六價鉻 Hexavalent chromium (Cr <sup>+6</sup> )	多溴聯苯 Polybrominated biphenyls (PBB)	多溴二苯醚 Polybrominated diphenyl ethers (PBDE)
電路板		○	○	○	○	○
內外殼 (外殼、內 部框架… 等)	○	○	○	○	○	○
觸控模組	—	○	○	○	○	○
其它固定 組件（螺 絲、夾具、 卡榫）	—	○	○	○	○	○
線材	—	○	○	○	○	○
液晶面板	—	○	○	○	○	○
<p>備考 1. “超出 0.1 wt %” 及 “超出 0.01 wt %” 係指限用物質之百分比含量超出百分比含量基準值。 Note 1. “Exceeding 0.1 wt %” and “exceeding 0.01 wt %” indicate that the percentage content of the restricted substance exceeds the reference percentage value of presence condition.</p> <p>備考 2. “○” 係指該項限用物質之百分比含量未超出百分比含量基準值。 Note 2. “○” indicates that the percentage content of the restricted substance does not exceed the percentage of reference value of presence.</p> <p>備考 3. “—” 係指該項限用物質為排除項目。 Note 3. The “-” indicates that the restricted substance corresponds to the exemption.</p>						

# 限用物質含有情況標示聲明書

## Declaration of the Presence Condition of the Restricted Substances Marking

設備名稱：液晶顯示器		型號（型式）：FPM-724W-P9AE				
Equipment name		Type designation (Type)				
單元 Unit	限用物質及其化學符號 Restricted substances and their chemical symbols					
	鉛 Lead (Pb)	汞 Mercury (Hg)	鎘 Cadmium (Cd)	六價鉻 Hexavalent chromium (Cr <sup>+6</sup> )	多溴聯苯 Polybrominated biphenyls (PBB)	多溴二苯醚 Polybrominated diphenyl ethers (PBDE)
電路板		○	○	○	○	○
內外殼 (外殼、內 部框架… 等)	○	○	○	○	○	○
其它固定 組件（螺 絲、夾具、 卡榫）	—	○	○	○	○	○
線材	—	○	○	○	○	○
液晶面板	—	○	○	○	○	○
觸控模組	○	○	○	○	○	○
<p>備考 1. “超出 0.1 wt %” 及 “超出 0.01 wt %” 係指限用物質之百分比含量超出百分比含量基準值。            Note 1. “Exceeding 0.1 wt %” and “exceeding 0.01 wt %” indicate that the percentage content of the restricted substance exceeds the reference percentage value of presence condition.</p> <p>備考 2. “○” 係指該項限用物質之百分比含量未超出百分比含量基準值。            Note 2. “○” indicates that the percentage content of the restricted substance does not exceed the percentage of reference value of presence.</p> <p>備考 3. “—” 係指該項限用物質為排除項目。            Note 3. The “-” indicates that the restricted substance corresponds to the exemption.</p>						

# 限用物質含有情況標示聲明書

## Declaration of the Presence Condition of the Restricted Substances Marking

設備名稱：液晶顯示器		型號（型式）：FPM-710SW-P7AE				
Equipment name		Type designation (Type)				
單元 Unit	限用物質及其化學符號 Restricted substances and their chemical symbols					
	鉛 Lead (Pb)	汞 Mercury (Hg)	鎘 Cadmium (Cd)	六價鉻 Hexavalent chromium (Cr <sup>+6</sup> )	多溴聯苯 Polybrominated biphenyls (PBB)	多溴二苯醚 Polybrominated diphenyl ethers (PBDE)
電路板	—	○	○	○	○	○
內外殼 (外殼、內 部框架… 等)	○	○	○	○	○	○
其它固定 組件（螺 絲、夾具、 卡榫）	—	○	○	○	○	○
配件（線 材）	○	○	○	○	○	○
液晶面板	—	○	○	○	○	○
觸控模組	—	○	○	○	○	○
<p>備考 1. “超出 0.1 wt %” 及 “超出 0.01 wt %” 係指限用物質之百分比含量超出百分比含量基準值。            Note 1. “Exceeding 0.1 wt %” and “exceeding 0.01 wt %” indicate that the percentage content of the restricted substance exceeds the reference percentage value of presence condition.</p> <p>備考 2. “○” 係指該項限用物質之百分比含量未超出百分比含量基準值。            Note 2. “○” indicates that the percentage content of the restricted substance does not exceed the percentage of reference value of presence.</p> <p>備考 3. “—” 係指該項限用物質為排除項目。            Note 3. The “-” indicates that the restricted substance corresponds to the exemption.</p>						

---

## Copyright

The documentation and the software included with this product are copyrighted 2025 by Advantech Co., Ltd. All rights are reserved. Advantech Co., Ltd. reserves the right to make improvements in the products described in this manual at any time without notice. No part of this manual may be reproduced, copied, translated, or transmitted in any form or by any means without the prior written permission of Advantech Co., Ltd. The information provided in this manual is intended to be accurate and reliable. However, Advantech Co., Ltd. assumes no responsibility for its use, nor for any infringements of the rights of third parties that may result from its use.

## Acknowledgments

Intel® and Pentium® are trademarks of Intel Corporation.

Microsoft Windows is a registered trademark of Microsoft Corp.

All other product names or trademarks are properties of their respective owners.

This manual includes the following products:

### **FPM-715-R9AE**

FPM715R9A2201-T, FPM715R9A2202-T, FPM715R9A2203-T,  
FPM715R9A2204-T, FPM715R9A2205-T, FPM715R9A2206-T,  
FPM715R9A2301-T, FPM715R9A2302-T, FPM715R9A2303-T,  
FPM715R9A2304-T, FPM715R9A2305-T, FPM715R9A2306-T,  
FPM715R9A2401-T, FPM715R9A2402-T, FPM715R9A2403-T,  
FPM715R9A2404-T, FPM715R9A2405-T, FPM715R9A2406-T,  
FPM715R9A2501-T, FPM715R9A2502-T, FPM715R9A2503-T,  
FPM715R9A2504-T, FPM715R9A2505-T, FPM715R9A2506-T,  
FPM715R9A2601-T, FPM715R9A2602-T, FPM715R9A2603-T,  
FPM715R9A2604-T, FPM715R9A2605-T, FPM715R9A2606-T,  
FPM715R9A2701-T, FPM715R9A2702-T, FPM715R9A2703-T,  
FPM715R9A2704-T, FPM715R9A2705-T, FPM715R9A2706-T,

### **FPM-717-R9AE**

FPM717R9A2201-T, FPM717R9A2202-T, FPM717R9A2203-T,  
FPM717R9A2204-T, FPM717R9A2205-T, FPM717R9A2206-T,  
FPM717R9A2301-T, FPM717R9A2302-T, FPM717R9A2303-T,  
FPM717R9A2304-T, FPM717R9A2305-T, FPM717R9A2306-T,  
FPM717R9A2401-T, FPM717R9A2402-T, FPM717R9A2403-T,  
FPM717R9A2404-T, FPM717R9A2405-T, FPM717R9A2406-T,  
FPM717R9A2501-T, FPM717R9A2502-T, FPM717R9A2503-T,  
FPM717R9A2504-T, FPM717R9A2505-T, FPM717R9A2506-T,  
FPM717R9A2601-T, FPM717R9A2602-T, FPM717R9A2603-T,  
FPM717R9A2604-T, FPM717R9A2605-T, FPM717R9A2606-T,  
FPM717R9A2701-T, FPM717R9A2702-T, FPM717R9A2703-T,  
FPM717R9A2704-T, FPM717R9A2705-T, FPM717R9A2706-T,

### **FPM-719-R9AE**

FPM719R9A2201-T, FPM719R9A2202-T, FPM719R9A2203-T,  
FPM719R9A2204-T, FPM719R9A2205-T, FPM719R9A2206-T,  
FPM719R9A2301-T, FPM719R9A2302-T, FPM719R9A2303-T,  
FPM719R9A2304-T, FPM719R9A2305-T, FPM719R9A2306-T,  
FPM719R9A2401-T, FPM719R9A2402-T, FPM719R9A2403-T,  
FPM719R9A2404-T, FPM719R9A2405-T, FPM719R9A2406-T,  
FPM719R9A2501-T, FPM719R9A2502-T, FPM719R9A2503-T,  
FPM719R9A2504-T, FPM719R9A2505-T, FPM719R9A2506-T,  
FPM719R9A2601-T, FPM719R9A2602-T, FPM719R9A2603-T,  
FPM719R9A2604-T, FPM719R9A2605-T, FPM719R9A2606-T,  
FPM719R9A2701-T, FPM719R9A2702-T, FPM719R9A2703-T,  
FPM719R9A2704-T, FPM719R9A2705-T, FPM719R9A2706-T,

### **FPM-715W-P9AE**

FPM715WP9A2201-T, FPM715WP9A2202-T, FPM715WP9A2203-T,  
FPM715WP9A2204-T, FPM715WP9A2205-T, FPM715WP9A2206-T,  
FPM715WP9A2301-T, FPM715WP9A2302-T, FPM715WP9A2303-T,  
FPM715WP9A2304-T, FPM715WP9A2305-T, FPM715WP9A2306-T,  
FPM715WP9A2401-T, FPM715WP9A2402-T, FPM715WP9A2403-T,  
FPM715WP9A2404-T, FPM715WP9A2405-T, FPM715WP9A2406-T,  
FPM715WP9A2501-T, FPM715WP9A2502-T, FPM715WP9A2503-T,  
FPM715WP9A2504-T, FPM715WP9A2505-T, FPM715WP9A2506-T,  
FPM715WP9A2601-T, FPM715WP9A2602-T, FPM715WP9A2603-T,  
FPM715WP9A2604-T, FPM715WP9A2605-T, FPM715WP9A2606-T,  
FPM715WP9A2701-T, FPM715WP9A2702-T, FPM715WP9A2703-T,  
FPM715WP9A2704-T, FPM715WP9A2705-T, FPM715WP9A2706-T

### **FPM-721W-P9AE**

FPM721WP9A2401-T, FPM721WP9A2402-T, FPM721WP9A2403-T,  
FPM721WP9A2404-T, FPM721WP9A2405-T, FPM721WP9A2406-T,  
FPM721WP9A2501-T, FPM721WP9A2502-T, FPM721WP9A2503-T,  
FPM721WP9A2504-T, FPM721WP9A2505-T, FPM721WP9A2506-T,  
FPM721WP9A2601-T, FPM721WP9A2602-T, FPM721WP9A2603-T,  
FPM721WP9A2604-T, FPM721WP9A2605-T, FPM721WP9A2606-T,  
FPM721WP9A2701-T, FPM721WP9A2702-T, FPM721WP9A2703-T,  
FPM721WP9A2704-T, FPM721WP9A2705-T, FPM721WP9A2706-T  
FPM721WP9A2801-T, FPM721WP9A2802-T, FPM721WP9A2803-T,  
FPM721WP9A2804-T, FPM721WP9A2805-T, FPM721WP9A2806-T,  
FPM721WP9A2901-T, FPM721WP9A2902-T, FPM721WP9A2903-T,  
FPM721WP9A2904-T, FPM721WP9A2905-T, FPM721WP9A2906-T,

Part No. 2004070003

Printed in China

Edition 4

April 2025

---

**FPM-724W-P9AE**

FPM724WP9A2401-T, FPM724WP9A2402-T, FPM724WP9A2403-T,  
FPM724WP9A2404-T, FPM724WP9A2405-T, FPM724WP9A2406-T,  
FPM724WP9A2501-T, FPM724WP9A2502-T, FPM724WP9A2503-T,  
FPM724WP9A2504-T, FPM724WP9A2505-T, FPM724WP9A2506-T,  
FPM724WP9A2601-T, FPM724WP9A2602-T, FPM724WP9A2603-T,  
FPM724WP9A2604-T, FPM724WP9A2605-T, FPM724WP9A2606-T,  
FPM724WP9A2701-T, FPM724WP9A2702-T, FPM724WP9A2703-T,  
FPM724WP9A2704-T, FPM724WP9A2705-T, FPM724WP9A2706-T  
FPM724WP9A2801-T, FPM724WP9A2802-T, FPM724WP9A2803-T,  
FPM724WP9A2804-T, FPM724WP9A2805-T, FPM724WP9A2806-T,  
FPM724WP9A2901-T, FPM724WP9A2902-T, FPM724WP9A2903-T,  
FPM724WP9A2904-T, FPM724WP9A2905-T, FPM724WP9A2906-T

**FPM-710SW-P7AE**

FPM710SWP7A2501-T, FPM710SWP7A2502-T, FPM710SWP7A2503-T  
FPM710SWP7A2504-T, FPM710SWP7A2505-T, FPM710SWP7A2506-T  
FPM710SWP7A2601-T, FPM710SWP7A2602-T, FPM710SWP7A2603-T  
FPM710SWP7A2604-T, FPM710SWP7A2605-T, FPM710SWP7A2606-T  
FPM710SWP7A2701-T, FPM710SWP7A2702-T, FPM710SWP7A2703-T  
FPM710SWP7A2704-T, FPM710SWP7A2705-T, FPM710SWP7A2706-T  
FPM710SWP7A2801-T, FPM710SWP7A2802-T, FPM710SWP7A2803-T  
FPM710SWP7A2804-T, FPM710SWP7A2805-T, FPM710SWP7A2806-T  
FPM710SWP7A2901-T, FPM710SWP7A2902-T, FPM710SWP7A2903-T  
FPM710SWP7A2904-T, FPM710SWP7A2905-T, FPM710SWP7A2906-T  
FPM710SWP7A3001-T, FPM710SWP7A3002-T, FPM710SWP7A3003-T  
FPM710SWP7A3004-T, FPM710SWP7A3005-T, FPM710SWP7A3006-T

## Product Warranty (2 Years)

Advantech warrants the original purchaser that each of its products will be free from defects in materials and workmanship for two years from the date of purchase.

This warranty does not apply to any products that have been repaired or altered by persons other than repair personnel authorized by Advantech, or products that have been subject to misuse, abuse, accident, or improper installation. Advantech assumes no liability under the terms of this warranty as a consequence of such events.

Because of Advantech's high quality-control standards and rigorous testing, most customers never need to use our repair service. If an Advantech product is defective, it will be repaired or replaced free of charge during the warranty period. For out-of-warranty repairs, customers will be billed according to the cost of replacement materials, service time, and freight. Please consult your dealer for more details.

If you believe your product to be defective, follow the steps outlined below.

1. Collect all the information about the problem encountered. (For example, CPU speed, Advantech products used, other hardware and software used, etc.) Note anything abnormal and list any onscreen messages displayed when the problem occurs.
2. Call your dealer and describe the problem. Please have your manual, product, and any helpful information readily available.
3. If your product is diagnosed as defective, obtain a return merchandise authorization (RMA) number from your dealer. This allows us to process your return more quickly.
4. Carefully pack the defective product, a completed Repair and Replacement Order Card, and a proof of purchase date (such as a photocopy of your sales receipt) into a shippable container. Products returned without a proof of purchase date are not eligible for warranty service.
5. Write the RMA number clearly on the outside of the package and ship the package prepaid to your dealer.

## Declaration of Conformity

### FCC Class A

This equipment has been tested and found to comply with the limits for a Class A digital device, pursuant to part 15 of the FCC Rules. These limits are designed to provide reasonable protection against harmful interference when the equipment is operated in a commercial environment. This equipment generates, uses, and can radiate radio frequency energy and, if not installed and used in accordance with the instruction manual, may cause harmful interference to radio communications. Operation of this equipment in a residential area is likely to cause harmful interference. In this event, users are required to correct the interference at their own expense.

---

## Technical Support and Assistance

1. Visit the Advantech website at [www.advantech.com/support](http://www.advantech.com/support) to obtain the latest product information.
2. Contact your distributor, sales representative, or Advantech's customer service center for technical support if you need additional assistance. Please have the following information ready before calling:
  - Product name and serial number
  - Description of your peripheral attachments
  - Description of your software (operating system, version, application software, etc.)
  - A complete description of the problem
  - The exact wording of any error messages

## Safety Instructions

1. Read these safety instructions carefully.
2. Retain this user manual for future reference.
3. Disconnect the equipment from all power outlets before cleaning. Use only a damp cloth for cleaning. Do not use liquid or spray detergents.
4. For pluggable equipment, the power outlet socket must be located near the equipment and easily accessible.
5. Protect the equipment from humidity.
6. Place the equipment on a reliable surface during installation. Dropping or letting the equipment fall may cause damage.
7. The openings on the enclosure are for air convection. Protect the equipment from overheating. Do not cover the openings.
8. Ensure that the voltage of the power source is correct before connecting the equipment to a power outlet.
9. Position the power cord away from high-traffic areas. Do not place anything over the power cord.
10. All cautions and warnings on the equipment should be noted.
11. If the equipment is not used for a long time, disconnect it from the power source to avoid damage from transient overvoltage.
12. Never pour liquid into an opening. This may cause fire or electrical shock.
13. Never open the equipment. For safety reasons, the equipment must be installed and removed by a trained skilled person.
14. If any of the following occurs, have the equipment checked by service personnel:
  - The power cord or plug is damaged.
  - Liquid has penetrated the equipment.
  - The equipment has been exposed to moisture.
  - The equipment is malfunctioning, or does not operate according to the user manual.
  - The equipment has been dropped and damaged.
  - The equipment shows obvious signs of breakage.
15. Do not leave the equipment in an environment with a storage temperature of below 0°C (32°F) or above 50°C (122°F) as this may damage the components. The equipment should be kept in a controlled environment.
16. In accordance with IEC 704-1:1982 specifications, the sound pressure level at the operator's position does not exceed 70 dB (A).

17. The power cord should be connected to a socket-outlet with earthing connection.
18. The earth terminal shall use 18 AWG minimum size with a green-and-yellow conductor to connect to the earth.

DISCLAIMER: These instructions are provided according to IEC 704-1 standards. Advantech disclaims all responsibility for the accuracy of any statements contained herein.

**Note!** *This product is intended to be supplied by a UL-listed power supply suitable for use at Tma 60°C min., altitude operation up to 2000m, whose output meets PS2 (or LPS), ES1 (or SELV) and output is rated: 24Vdc, 2.5A for these Models:*



- FPM-715xxxxxxxxxxxxxxxxxx*
- FPM-717xxxxxxxxxxxxxxxxxx*
- FPM-719xxxxxxxxxxxxxxxxxx*
- FPM-715Wxxxxxxxxxxxxxxxxxx*
- FPM-721Wxxxxxxxxxxxxxxxxxx*
- FPM-724Wxxxxxxxxxxxxxxxxxx*

*This product is intended to be supplied by a UL-listed power supply suitable for use at Tma 50°C min., altitude operation up to 2000m, whose output meets PS2 (or LPS), ES1 (or SELV) and output is rated: 12-24Vdc, 1-0.5A for Models:*

- FPM-710SWxxxxxxxxxxxxxxxxxx*

*If you need further assistance, please contact Advantech for further information.*

**Warning!** *This product may cause radio interference if the customer uses DC power. Please be prepared for this.*



**Warning!** *The customer should use one of the power adapters listed on the product datasheet. Using a power adapter not listed on the product datasheet may cause radio interference.*



**Warning!** *Avoid exposing FPM-700 to direct sunlight for long periods of time. Direct sunlight hitting the LCD screen can cause it to become very hot. This may damage the LCD as the components are not designed to tolerate high heat.*



1. The power outlet socket should have a grounded connection. This is achieved using a power cord connected to a grounded socket-outlet.
2. The EUT only operates in landscape mode (horizontal (0°)).

## Consignes de Sécurité

1. Lire attentivement les instructions de sécurité.
2. Conserver ce manuel pour utilisation ultérieure.
3. Débranchez cet équipement de toute prise secteur avant de le nettoyer. Utilisez seulement un chiffon humide. N'utilisez pas de détergent liquide ou pulvérisé pour le nettoyage.
4. Gardez cet équipement à l'abri de l'humidité.
5. Placez cet équipement sur une surface fiable pendant l'installation. Le faire ou bien le laisser tomber peut causer des dégâts.
6. Les ouvertures sur l'enceinte servent à la convection de l'air. Protégez l'équipement contre la surchauffe. **NE COUVREZ PAS LES OUVERTURES.**
7. Assurez-vous que la tension de la source d'alimentation est correcte avant de connecter l'équipement à l'alimentation.
8. Placez le câble d'alimentation de manière à ce que personne ne puisse marcher dessus. Ne placez rien sur le câble d'alimentation.
9. Toutes les mises en garde et tous les avertissements sur l'équipement doivent être notés.
10. Si l'équipement n'est pas utilisé pendant une longue période, débranchez-le de la source d'alimentation pour éviter tout endommagement dû à une surtension transitoire.
11. Ne jamais verser de liquide dans une ouverture. Cela pourrait provoquer un incendie ou un choc électrique.
12. N'ouvrez jamais l'équipement. Pour des raisons de sécurité, l'équipement doit être ouvert uniquement par du personnel qualifié.
13. Si l'une des situations suivantes se présente, faites vérifier l'équipement par le personnel de service:
  - Un liquide a pénétré dans l'équipement.
  - L'équipement a été exposé à l'humidité.
  - L'équipement ne fonctionne pas bien, ou vous ne pouvez pas le faire fonctionner selon le manuel de l'utilisateur.
  - L'équipement est tombé et endommagé.
  - L'équipement présente des signes évidents de rupture.
14. **NE LAISSEZ PAS CET ÉQUIPEMENT DANS UN ENVIRONNEMENT OU LA TEMPÉRATURE DE STOCKAGE PEUT ÊTRE INFÉRIEURE À 0°C (32°F) OU BIEN SUPÉRIEURE À 50°C (122°F). CECI POURRAIT ENDOMMAGER L'EQUIPEMENT. L'ÉQUIPEMENT DEVRAIT ÊTRE DANS UN ENVIRONNEMENT CONTRÔLÉ.**
15. **ATTENTION: DANGER D'EXPLOSION SI LA BATTERIE EST INCORRECTEMENT REMPLACÉE. REMPLACER SEULEMENT AVEC LE MÊME TYPE OU ÉQUIVALENT RECOMMANDÉ PAR LE FABRICANT, JETER LES BATTERIES USÉES SELON LES INSTRUCTIONS DU FABRICANT. VEUILLEZ CONTACTER LE FABRICANT, ADVANTECH, POUR LE REMPLACER.**
16. Le personnel concerné doit savoir qu'il ne faut pas heurter la section d'angle de l'appareil afin d'éviter tout risque de blessure.
17. La borne de terre doit être utilisée avec une taille minimale de 18 AWG et un conducteur vert et jaune pour se connecter à la terre.

**Remarque!** Ce produit est destiné à être alimenté par une alimentation homologuée UL adaptée à une utilisation à T<sub>ma</sub> 60 degrés C min., fonctionnement en altitude jusqu'à 2000 m, dont la sortie est conforme à PS2 (ou LPS), ES1 (ou SELV) et la sortie est nominale:



24Vdc, 2.5A pour les modèles FPM-715xxxxxxxxxxxxxxxxx,  
FPM-717xxxxxxxxxxxxxxxxx, FPM-719xxxxxxxxxxxxxxxxx,  
FPM-715Wxxxxxxxxxxxxxxxxx, FPM715xxxxxxxxxxxxxxxxx,  
FPM717xxxxxxxxxxxxxxxxx, FPM719xxxxxxxxxxxxxxxxx,  
FPM715Wxxxxxxxxxxxxxxxxx, FPM-721Wxxxxxxxxxxxxxxxxx,  
FPM-724Wxxxxxxxxxxxxxxxxx  
FPM-710SWxxxxxxxxxxxxxxxxx

Si vous avez besoin d'aide supplémentaire, veuillez contacter Advantech pour plus d'informations.

**Attention!** Si l'utilisateur client utilise exclusivement l'alimentation en courant continu pour ce produit, il peut provoquer des interférences radio, auquel cas, le client doit prendre les mesures appropriées.



**Attention!** Si le client doit utiliser un adaptateur secteur, veuillez utiliser l'adaptateur secteur figurant sur la fiche technique du produit. Si le client utilise un adaptateur secteur non répertorié dans la fiche technique du produit, il peut provoquer des interférences radio, auquel cas il doit prendre les mesures appropriées.



**Attention!** Évitez d'exposer le FPM-700 à la lumière directe du soleil pendant de longues périodes. Les rayons directs du soleil sur un écran LCD peuvent devenir très chauds et endommager physiquement l'écran car les composants ne sont pas conçus pour tolérer une chaleur intense, ce qui raccourcit la durée de vie de l'écran.



## 安全指示

1. 請仔細閱讀此安全操作說明。
2. 請妥善保存此用戶手冊供日後參考。
3. 用濕抹布清洗設備前，請確認拔除電源線。請勿使用液體或去污噴霧劑清洗設備。
4. 對於使用電源線的設備，設備周圍必須有容易接觸到的電源插座。
5. 請勿在潮濕環境中試用設備。
6. 請在安裝前確保設備放置在可靠的平面上，意外摔落可能會導致設備損壞。
7. 設備機殼的開孔適用於空氣對流，從而防止設備過熱。請勿覆蓋開孔。
8. 當您連接設備到電源插座前，請確認電源插座的電壓符合要求。
9. 請將電源線佈置在人們不易絆倒的位置，請勿在電源線上覆蓋任何雜物。
10. 請注意設備上所有的警告標示。
11. 如果長時間不使用設備，請拔除與電源插座的連結，避免設備被超標的電壓波動損壞。
12. 請勿讓任何液體流入通風口，以免引起火災或短路。
13. 請勿自行打開設備。為了確保您的安全，請透過經認證的工程師來打開設備。
14. 如遇下列情況，請由專業人員維修：
15. 電源線或插頭損壞；
16. 設備內部有液體流入；
17. 設備曾暴露在過度潮濕環境中使用；
18. 設備無法正常工作，或您無法透過用戶手冊來正常工作；
19. 設備摔落或損壞；
20. 設備有明顯外觀損；
21. 請勿將設備放置在超出建議溫度範圍的環境，即不要低於 0°C (32°F) 或高於 50°C (122°F)，否則可能會造成設備損壞。
22. 注意：若電池更換不正確，將有爆炸危險。因此，只可以使用製造商推薦的同一種或者同等型號的電池進行替換。請按照製造商的指示處理舊電池。
23. 根據IEC 704-1:1982規定，操作員所在位置音量不可高於70分貝。
24. 限制區域：請勿將設備安裝於限制區域使用。
25. 免責聲明：請安全訓示符合IEC 704-1要求。研華公司對其內容之準確性不承擔任何法律責任。

**注！** 此項提供其它額外信息。



**警告使用者：**

1. 使用過度恐傷害視力
2. 使用 30 分鐘請休息 10 分鐘
3. 未滿 2 歲幼兒不看螢幕，2 歲以上每天看螢幕不要超過 1 小時
4. [ 甲類警語 ]  
警告使用者：為避免電磁干擾，本產品不應安裝或使用於住宅環境。

**警告！** 如果客戶自行為本產品用戶直流電源可能會造成無線電干擾，在這種情況下，客戶必須採取適當的措施



**警告！** 如果客戶需要使用電源適配器，請使用產品數據表中列出的電源適配器。如果客戶使用產品數據表中未列出的電源適配器，可能會造成無線電干擾，在這種情況下，客戶必須採取適當的措施



**警告！** 請避免將 FPM-700 長時間暴露在直射陽光下。直射陽光照射到 LCD 屏幕上會導致 LCD 變得非常熱並對 LCD 造成物理損壞，因為這些組件的設計不能承受高溫，從而縮短了 LCD 的使用壽命



液晶顯示器

申請商：研華股份有限公司

地址：台北市內湖區瑞光路 26 巷 20 弄 1 號

電話：02-27927818



# Contents

<b>Chapter 1</b>	<b>General Information .....</b>	<b>1</b>
1.1	Introduction .....	2
1.2	Specifications .....	2
1.2.1	General .....	2
	Table 1.1: General .....	2
1.2.2	Touchscreens (Optional).....	2
	Table 1.2: Touchscreens (Optional) .....	2
1.3	LCD Specifications .....	3
	Table 1.3: LCD Specifications .....	3
1.4	Connectors (Optional).....	3
1.5	Interfaces .....	4
	Figure 1.1 FPM-715/717/719 - I/O Port Arrangement .....	4
	Figure 1.2 FPM-715W/721W/724W - I/O Port Arrangement .....	4
	Figure 1.3 FPM-710SW - I/O Port Arrangement.....	5
1.6	Dimensions .....	5
	Figure 1.4 FPM-715/717/719 Dimensions .....	5
	Figure 1.5 FPM-715W/721W/724W Dimensions .....	6
	Figure 1.6 FPM-710SW Dimensions .....	6
<b>Chapter 2</b>	<b>Mounting Methods.....</b>	<b>7</b>
2.1	Mounting the Monitor/Monter le Moniteur .....	8
2.1.1	Panel Mounting/Montage Sur Panneau .....	8
	Figure 2.1 Panel Mounting for FPM-715/717/719/715W/721W/ 724W .....	8
	Figure 2.2 FPM-710SW Panel Mounting-1 .....	10
	Figure 2.3 FPM-710SW Panel Mounting-2 .....	10
2.1.2	Wall Mounting/Montage Mural .....	11
	Figure 2.4 Wall Mounting.....	11
2.1.3	Desktop Stand Mounting/Montage du support de bureau .....	12
	Figure 2.5 Desktop Stand Mounting for FPM-715/717/719/715W/ 721W/724W.....	12
	Figure 2.6 Desktop Stand Mounting for FPM-710SW .....	12
	Figure 2.7 .....	13
2.1.4	Rack Mounting/Montage en rack .....	14
	Figure 2.8 FPM-715 and FPM-717 Rack Mounting .....	14
	Figure 2.9 FPM-719 Rack Mounting .....	14
	Figure 2.10 Rack Mounting.....	15
2.1.5	VESA Mounting/Montage VESA .....	15
	Figure 2.11 VESA Mounting for FPM-715/717/719/715W/721W/ 724W .....	15
	Figure 2.12 VESA Mounting for FPM-710SW .....	16
2.1.6	Power Adapter Bracket Mounting (Optional) .....	17
	Figure 2.13 Power Adapter Bracket Mounting.....	17
<b>Chapter 3</b>	<b>Installing the Lockable Kit .....</b>	<b>19</b>
3.1	Purpose .....	20
3.2	Lockable Kit Configuration .....	20
	Figure 3.1 Lockable Kit for the FPM-715/717/719/715W/721W/ 724W .....	20
	Table 3.1: Lockable Kit for FPM-715/717/719/715W/721W/724W 20	

	Figure 3.2 Lockable Kit for the FPM-710SW .....	20
	Table 3.2: Lockable Kit for the FPM-710SW .....	21
3.2.1	Assembly of the FPM-715/717/719/715W/721W/724W .....	21
3.2.2	Assembly of the FPM-710SW.....	22

## **Appendix A Touchscreen..... 25**

A.1	Introduction .....	26
A.2	Touchscreen Specifications (15"/17"/19"/15.6"/21.5"/23.8") .....	26
A.2.1	Optical Features .....	26
	Table A.1: Optical Features .....	26
A.2.2	Electrical Specifications .....	26
	Table A.2: Electrical Specifications.....	26
A.2.3	Environmental Specifications.....	26
	Table A.3: Environmental Specifications .....	26
A.3	Installing Drivers for Windows OS .....	26
A.4	LED Functions .....	27
	Table A.4: LED Functions.....	27

## **Appendix B OSD Operation Keypad ..... 29**

B.1	OSD Board Overview.....	30
B.1.1	OSD Button Descriptions.....	30
	Table B.1: OSD Button Descriptions .....	30
B.2	OSD Key Functions .....	31
B.2.1	Menu Start .....	31
B.2.2	Picture.....	32
B.2.3	Geometry .....	33
B.2.4	Color Temperature Menu.....	34
B.2.5	OSD Manager.....	35
B.2.6	Touch Control .....	36
	Table B.2: Touch Control.....	36
B.2.7	ERP Control.....	37
B.2.8	All Reset .....	38
B.2.9	Exit.....	38

# Chapter 1

## General Information

Sections include:

- Introduction
- Specifications
- LCD Specifications
- Connectors
- Dimensions

## 1.1 Introduction

The Advantech FPM-700 series comprises 10.1", 15", 17", 19", 15.6", 21.5" and 23.8" industrial-grade monitors with sleek, simple lines and a durable true-flat touch-screen. The FPM-700 series features an IP66-rated front bezel. There are diverse mounting options, and the 15", 17", 19", 15.6", and 21.5" versions support wide operating temperatures (-20 ~ 60°C).

## 1.2 Specifications

### 1.2.1 General

Table 1.1: General	
<b>Specifications</b>	FPM-700 series
<b>Construction</b>	Die-cast aluminum front bezel and SECC rear cover
<b>Front Panel</b>	Die-cast aluminum – IP66
<b>Video Port</b>	HDMI/VGA/DP – FPM-715/717/719/715W/721W/724W HDMI/DP/Type-C – FPM-710SW
<b>FPM-715 Dimensions</b>	(W x H x D) 383.2 x 307.3 x 50 mm
<b>FPM-717 Dimensions</b>	(W x H x D) 410.4 x 343.4 x 51 mm
<b>FPM-719 Dimensions</b>	(W x H x D) 454 x 379.8 x 48.5 mm
<b>FPM-715W Dimensions</b>	(W x H x D) 419.7 x 269 x 52 mm
<b>FPM-721W Dimensions</b>	(W x H x D) 558.4 x 349.8 x 53.2 mm
<b>FPM-710SW Dimensions</b>	(W x H x D) 260.5 x 179.1 x 45.0 mm

### 1.2.2 Touchscreens (Optional)

Table 1.2: Touchscreens (Optional)			
<b>Specifications</b>	FPM-715/717/719	FPM-715W/721W/724W	FPM-710SW
<b>Type</b>	5-wire analog resistive	Projected capacitive touch	
<b>Interface</b>	USB/RS-232	USB	
<b>Light Transmission</b>	Above 75%		
<b>OS Support</b>	Windows XP, Vista, 7, 8, 10, 11, XPe, CE and Linux		

## 1.3 LCD Specifications

Table 1.3: LCD Specifications							
Specifications	10.1" LCD (LED Backlight)	15" LCD (LED Backlight)	17" LCD (LED Backlight)	19" LCD (LED Backlight)	15.6" LCD (LED Backlight)	21.5" LCD (LED Backlight)	23.8" LCD (LED Backlight)
Display Type	WUXGA TFT LCD	XGA TFT LCD	SXGA TFT LCD	SXGA TFT LCD	Full HD TFT LED LCD	Full HD TFT LED LCD	Full HD TFT LED LCD
Display Size	10.1"	15"	17"	19"	15.6"	21.5"	23.8"
Max. Colors	16.7M	16.2M Max	16.7M Max	16.7M Max	16.7M Max	16.7M Max	16.7M Max
Resolution	1920 x 1200	1024 x 768	1280 x 1024	1280 x 1024	1920x1080	1920x1080	1920x1080
View Angle (H/V°)	178°(V) 178°(H)	176°(V), 176°(H)	170°(V), 160°(H)	170°(V), 160°(H)	160°(V), 160°(H)	178°(V), 178°(H)	178°(V), 178°(H)
Luminance	380 cd/m <sup>2</sup>	300 cd/m <sup>2</sup>	350 cd/m <sup>2</sup>	350 cd/m <sup>2</sup>	450 cd/m <sup>2</sup>	350 cd/m <sup>2</sup>	350 cd/m <sup>2</sup>
Storage Temperature	-20 – 60°C	-30 – 70°C					
Operating Temperature	-10 – 50°C	-20 – 60°C					0 – 50°C
Contrast Ratio	800:1	2000:1	1000:1	1000:1	500:1	1000:1	1000:1
Backlight Life	30,000hr	70,000 hr	50,000 hr	70,000 hr	50,000 hr	30,000hr	30,000hr

## 1.4 Connectors (Optional)

The following connectors are situated on the bottom side of the FPM:

- **DP or HDMI port**  
The DP or HDMI port is connected with a standard DP or HDMI connector through the I/O port of this unit, located on the bottom side of the system unit.
- **VGA port (DB-15)**  
The DB-15 connector can be connected to the system via the external 15-pin DB-15 connector located on the bottom side of the system unit.
- **Touchscreen connector (USB)**  
This connector will be present only if a touchscreen is installed and it must be connected to the USB port of the PC. The touchscreen cable is included with all orders.
- **DC 24 V power input connector**  
This connector must be connected to a DC 24 V power supply.
- **Type-C port**  
The Type-C port is connected with a standard Type-C connector through the I/O port of this unit, located on the bottom side of the system unit.

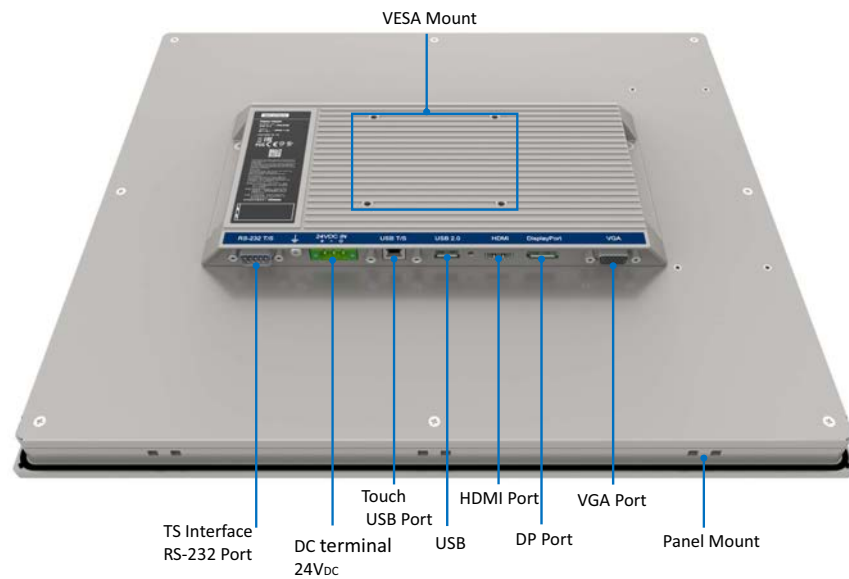
**Warning!** Please note before connecting the monitor and PC with HDMI / DP or VGA cable:



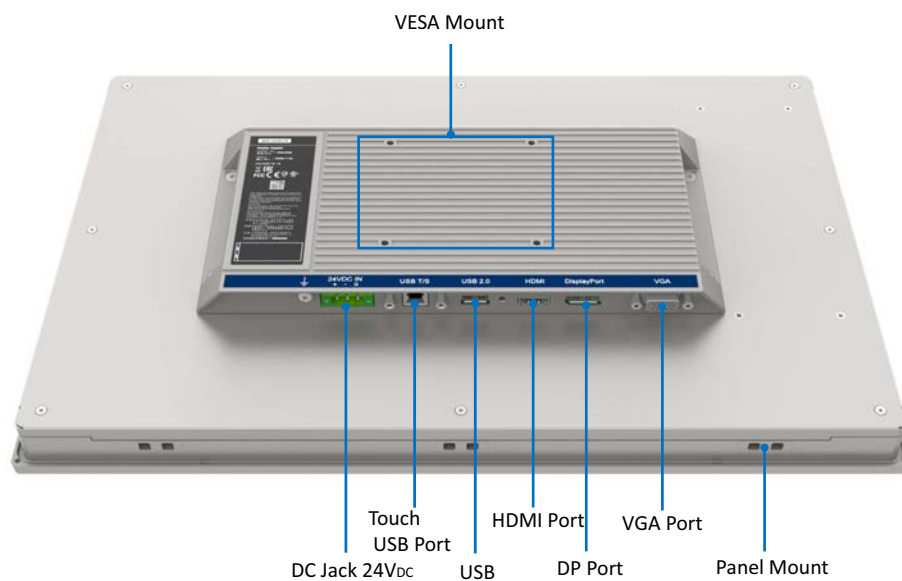
1. If the PC has an OS installed, please confirm its picture frequency is within an acceptable range.

## 1.5 Interfaces

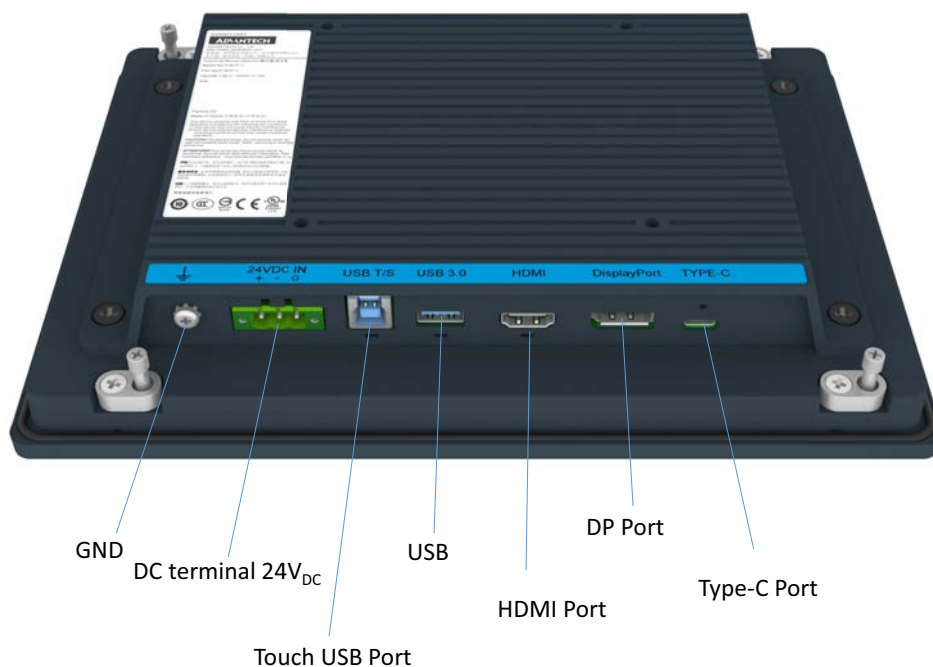
Figure 1.1 shows the I/O arrangement.



**Figure 1.1 FPM-715/717/719 - I/O Port Arrangement**

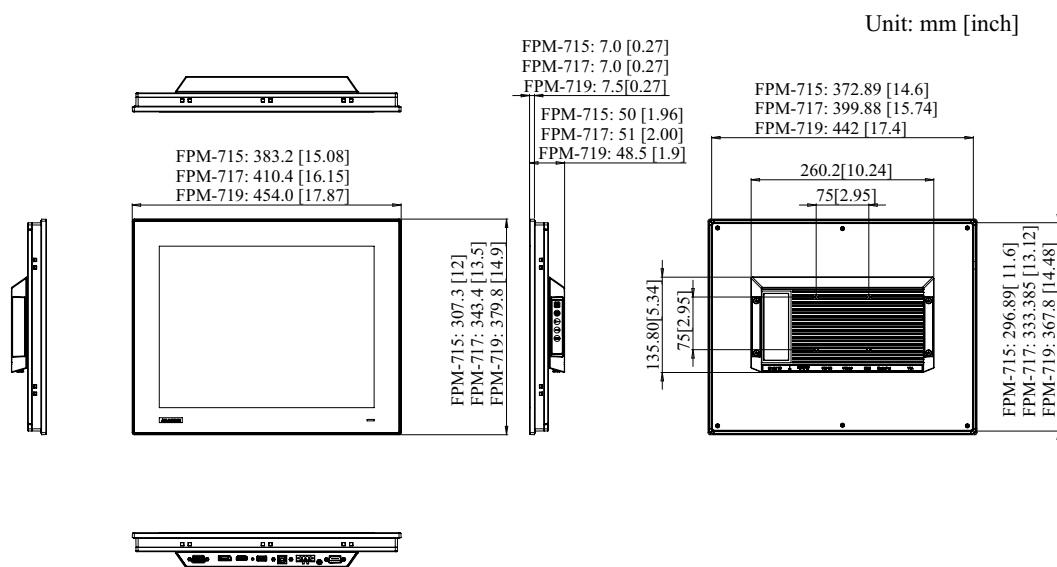


**Figure 1.2 FPM-715W/721W/724W - I/O Port Arrangement**



**Figure 1.3 FPM-710SW - I/O Port Arrangement**

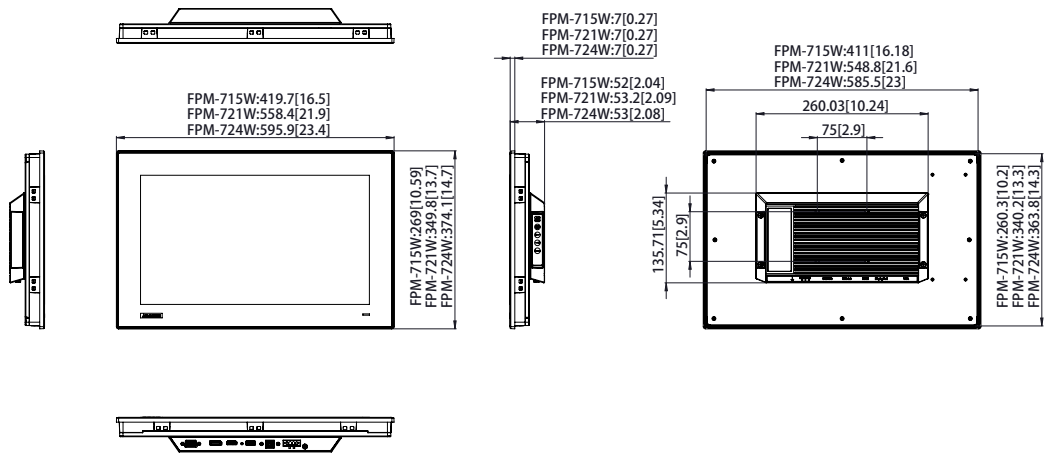
## 1.6 Dimensions



**Panel Cutout Dimensions:**  
 FPM-715: 374.5 x 298.5 mm (14.74 x 11.75 in)  
 FPM-717: 401.3 x 334.8 mm (15.8 x 13.18 in)  
 FPM-719: 443.5 x 369.3 mm (17.46 x 14.53 in)

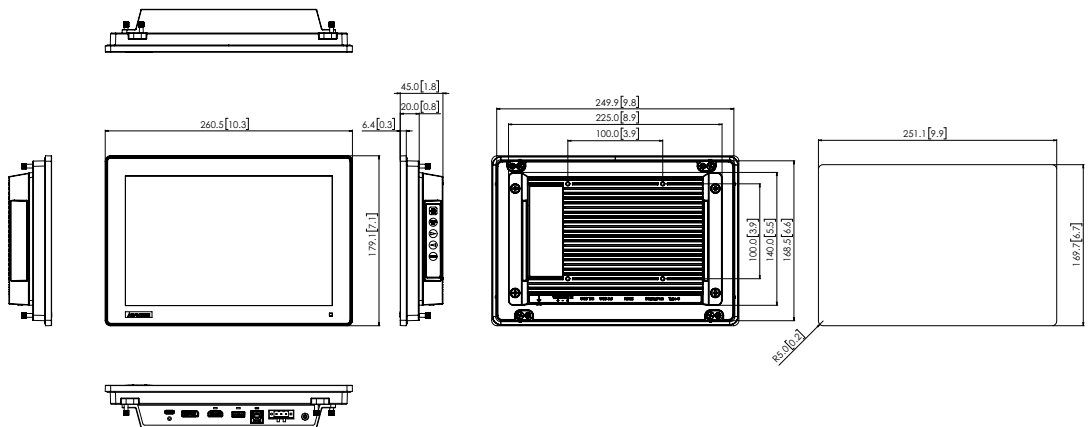
**Figure 1.4 FPM-715/717/719 Dimensions**

Unit: mm [inch]



**Figure 1.5 FPM-715W/721W/724W Dimensions**

Unit: mm[inch]



Panel Cutout Dimensions: 251.1[9.9] x 169.7[6.7]mm, corner=R5[0.2]mm (±0.5[0.019]mm)

**Figure 1.6 FPM-710SW Dimensions**

# Chapter 2

## Mounting Methods

Sections include:

- Panel Mounting
- Wall Mounting
- Desktop Stand Mounting
- VESA Mounting
- Power Adapter Bracket Mounting (Optional)

## 2.1 Mounting the Monitor/Monter le Moniteur

The FPM-700 series can be mounted in many different ways.

*La série FPM-700 peut être montée de différentes manières. La polyvalence du FPM-700 lui permet d'être monté sur votre bureau ou ailleurs.*

### 2.1.1 Panel Mounting/Montage Sur Panneau

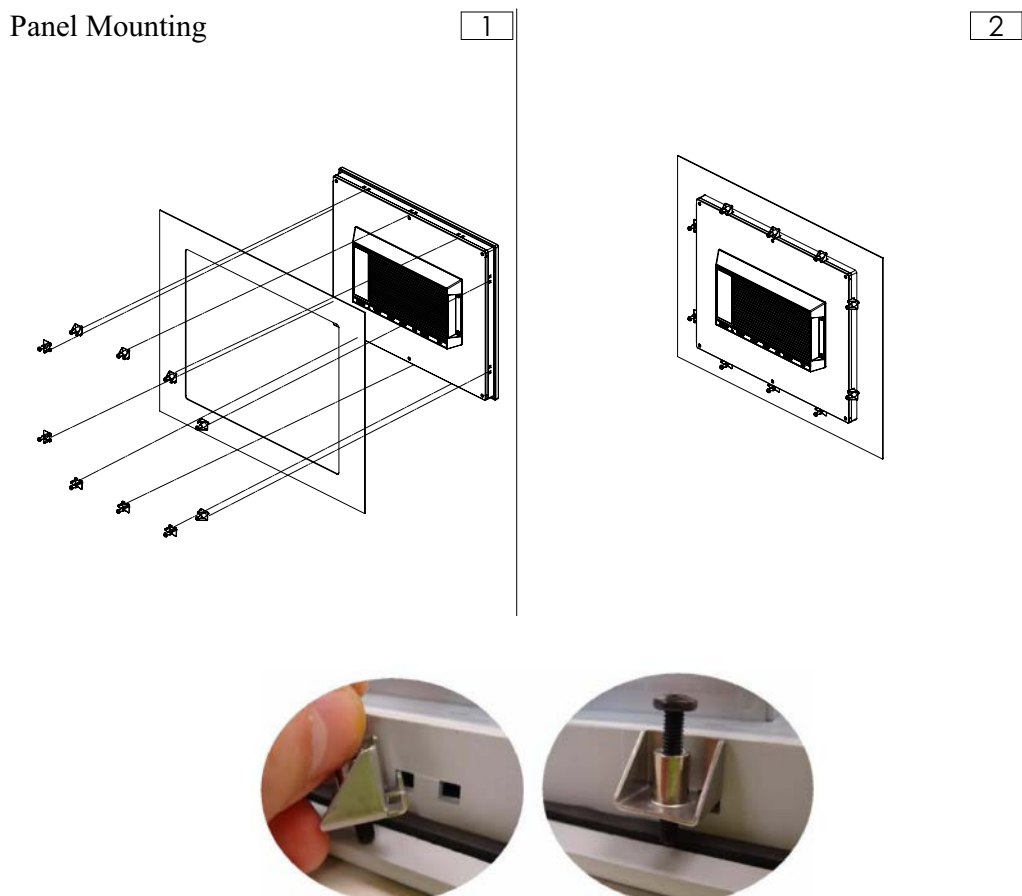
The FPM-715/717/719/715W/721W/724W can be mounted directly on a panel with additional mounting brackets (provided in the accessory box).

Please refer to Figure 2.1 and follow the following steps:

1. Secure the 10 x panel brackets around the industrial monitor. See the figure below.
2. Secure the panel using the bracket.

*La série FPM-715/717/719/715W/721W/724W peut être montée directement sur un panneau avec des supports de montage supplémentaires (fournis dans la boîte d'accessoires).*

1. Fixez le support de panneau 10pcs autour du moniteur industriel, reportez-vous à la figure ci-dessous.
2. Fixez dans le panneau en vissant le support.



**Figure 2.1 Panel Mounting for FPM-715/717/719/715W/721W/724W**

**Panel Mounting**

FPM-715/717/715W

10 clamps with M4 \* 25mm screws.

FPM-719 12PCS

12 clamps with M4 \* 25mm screws.

Diameter of screw = M4 min.

Length of screw = 25.0 min.

FPM-721W 12PCS

12 clamps with M4 \* 25mm screws.

Diameter of screw = M4 min.

Length of screw = 25.0 min.

FPM-724W 14PCS

14 clamps with M4 \* 25mm screws.

Diameter of screw = M4 min.

Length of screw = 25.0 min.

**Montage sur panneau**

10 pinces avec vis M4 \* 25 mm.

Diamètre de la vis = M4 min.

Longueur de la vis = 25.0 min.

The FPM-710SW has an additional mounting bracket for direct panel mounting.

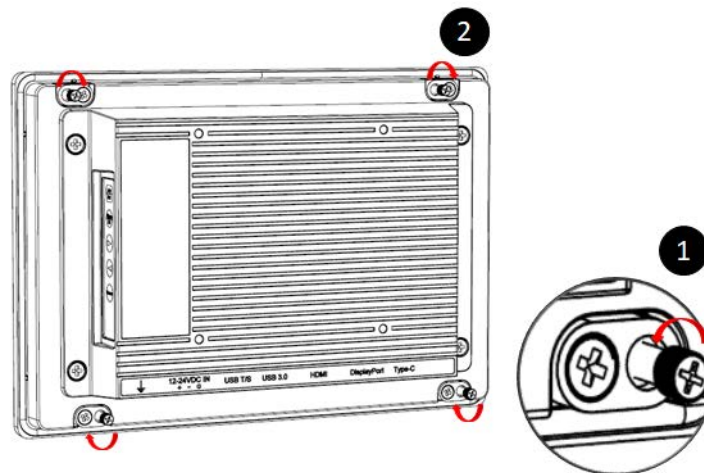
Refer to the figures and follow the steps below:

1. On the back of the FPM-710SW, find the mounting screws. Simply turn them counter-clockwise by hand until they loosen, this will allow you to rotate the brackets to a mounting position.
2. Ensure the brackets remain in place, then tighten the screws by turning them clockwise to a torque. This will press the mounting panel firmly in place, securing a stable installation.

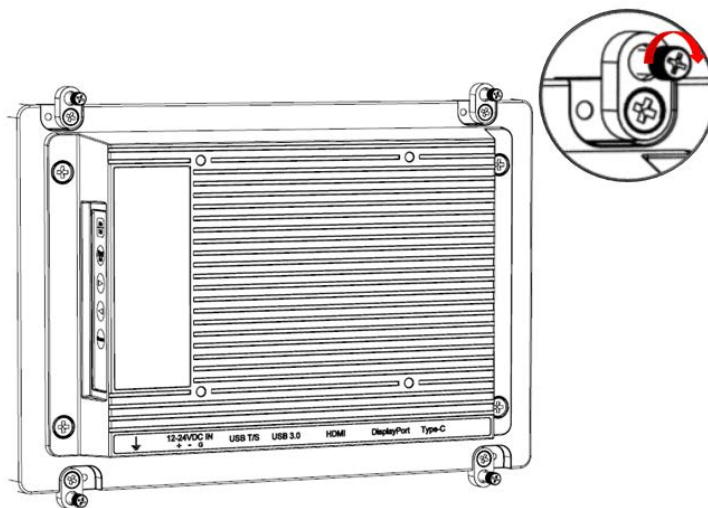
4 clamps with M4 \* 13mm screws.

Diameter of screw = M4 min.

Length of screw = 13.0 min.



**Figure 2.2 FPM-710SW Panel Mounting-1**



**Figure 2.3 FPM-710SW Panel Mounting-2**

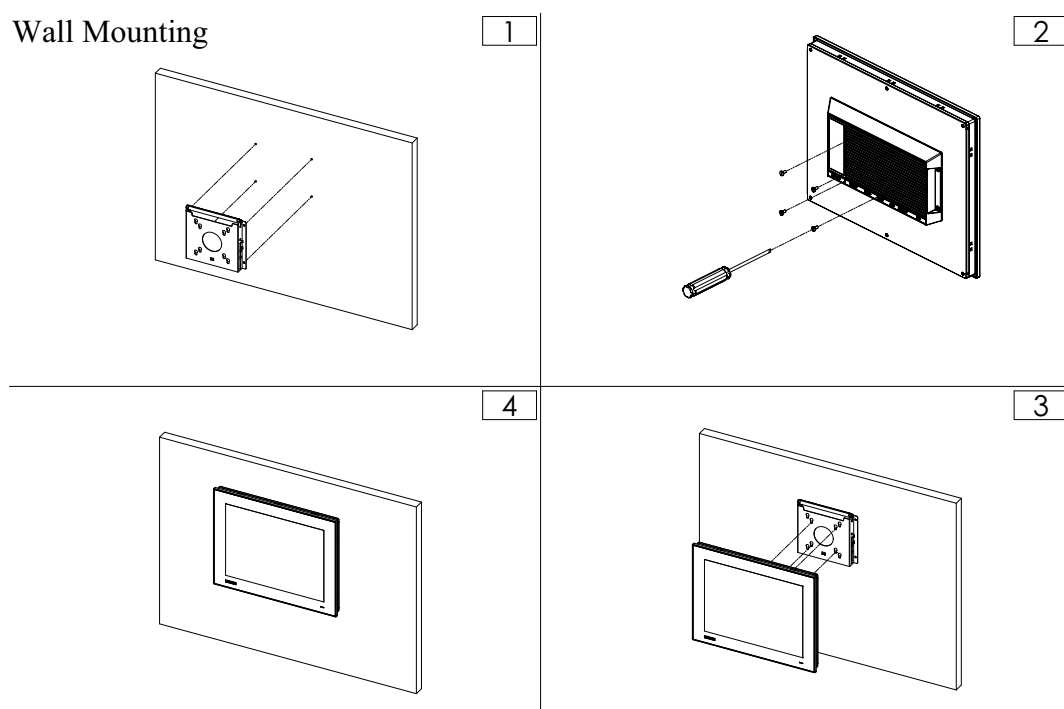
## 2.1.2 Wall Mounting/Montage Mural

If you need to install the FPM-700 Series on a wall, you can use the FPM-1000T Series mounting kit. This is offered as an optional accessory for the FPM-700 Series. You need to secure this metal bracket to the wall first, then fasten the FPM-700 Series with the included screws. The metal bracket holds the FPM-700 Series to the wall and completes the wall mounting process.

Please refer to Figure 2.2 and follow the steps shown to mount the FPM-700 Series on a wall:

*Si vous devez installer la série FPM-700 Series dans le mur, vous pouvez utiliser le kit de montage FPM-1000T qui est proposé comme accessoire optionnel pour FPM-700 Series. Vous devez d'abord fixer ce support métallique au mur, puis fixer le FPM-700 Series avec les vis incluses. Le support métallique maintient le FPM-700 Series au mur pour terminer le montage mural.*

*Veillez vous référer à la figure 2.2 et suivre les étapes suivantes pour monter le FPM-700 Series sur un mur:*



**Figure 2.4 Wall Mounting**

### Wall Mounting

Screw to fix mounting kit  
Diameter of screw = M4.  
Length of screw = 6-10 mm

### Montage mural

*Vis pour fixer le kit de montage*  
*Diamètre de vis = M4.*  
*Longueur de vis = 6-10 mm*

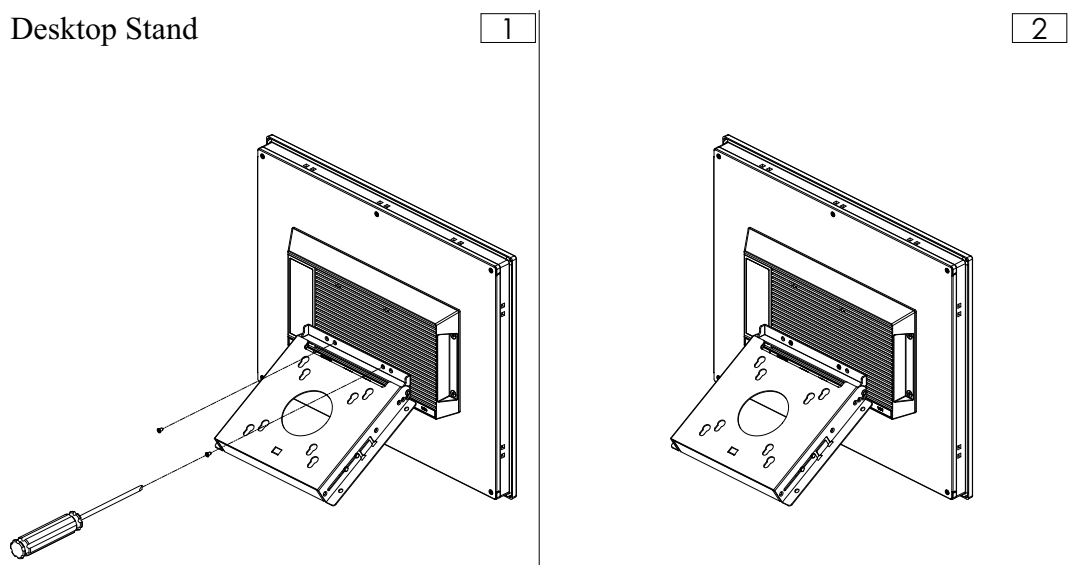
### 2.1.3 Desktop Stand Mounting/Montage du support de bureau

If you have opted for the desk mount stand, you can use the FPM-1000T mounting kit and secure the stand with 2 x M4 screws to the desk for attachment of the FPM-700 Series mount.

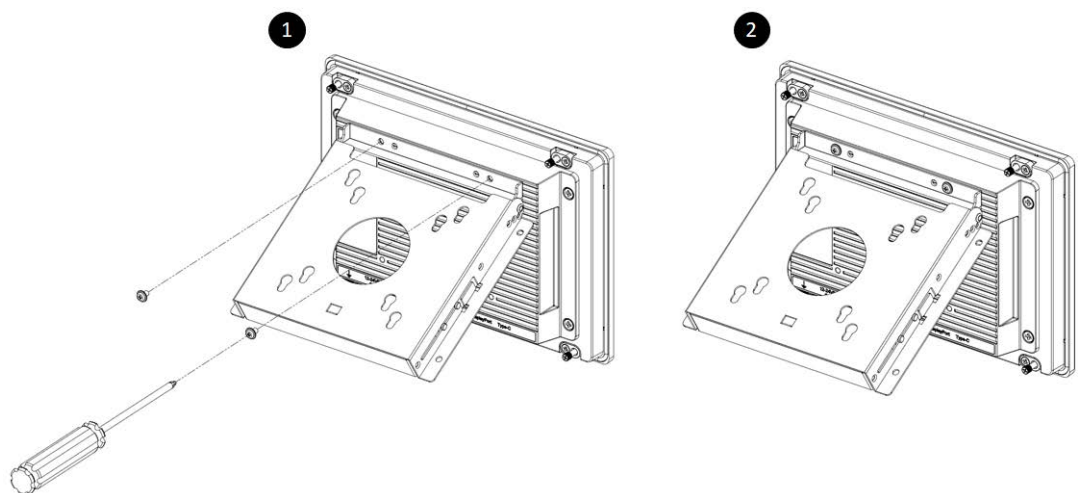
*(Note: The FPM-1000T mounting kit is offered as an optional accessory for the FPM-700 Series.)*

*Si vous devez opter pour le support de montage sur bureau, vous pouvez également utiliser le montage FPM-1000T kit et fixer le support avec 2 vis M4 au bureau pour la fixation du support au FPM-700 Series.*

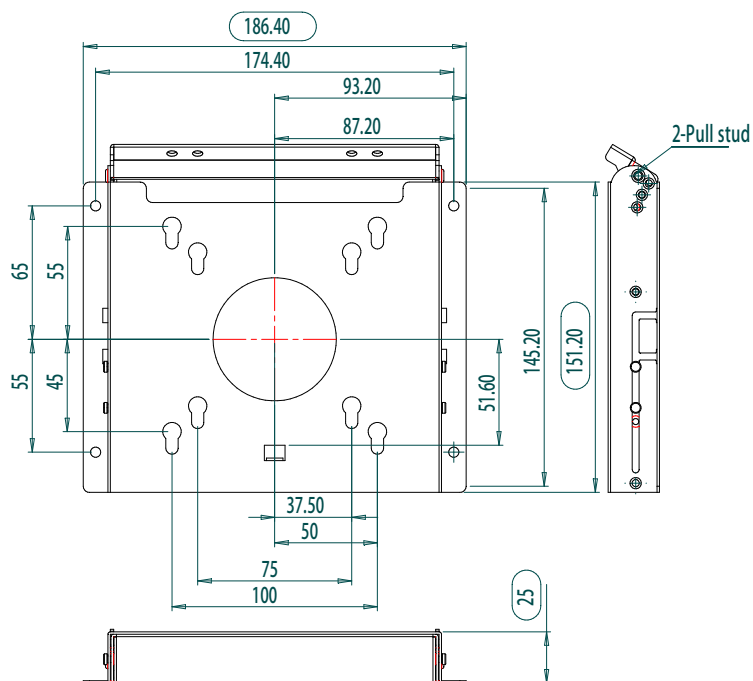
*(Note: Le kit de montage FPM-1000T est proposé comme accessoire optionnel pour le FPM-700 Series.)*



**Figure 2.5 Desktop Stand Mounting for FPM-715/717/719/715W/721W/724W**



**Figure 2.6 Desktop Stand Mounting for FPM-710SW**



**Figure 2.7**

### **Desktop Stand Mounting**

Use screws to secure the mounting kit (2 x pcs)

Diameter of screw = M4.

Length of screw = 6-10 mm

### **Montage du support de bureau**

Vis pour fixer le kit de montage (2 pièces)

Diamètre de vis = M4.

Longueur de vis = 6-10 mm

## 2.1.4 Rack Mounting/Montage en rack

There are optional rack mount kits for mounting the FPM-715/717/719 Series chassis into a rack. (Rack mount kit: FPM-715-RMKE/FPM-717-RMKE/FPM-719-RMKE)

Please refer to Figure 2.4 and follow the following steps:

1. Use the provided clamps from the accessory box to fix the FPM to the rack mount brackets. Consult the figure below for guidance.
2. Position the FPM monitors onto the rails of the rack mount bracket. Push them inward and fix them in place by fastening the clamps, also included in the accessory box.
3. Ensure a secure attachment to the rack by using the provided rack screws to fasten the monitors in place.

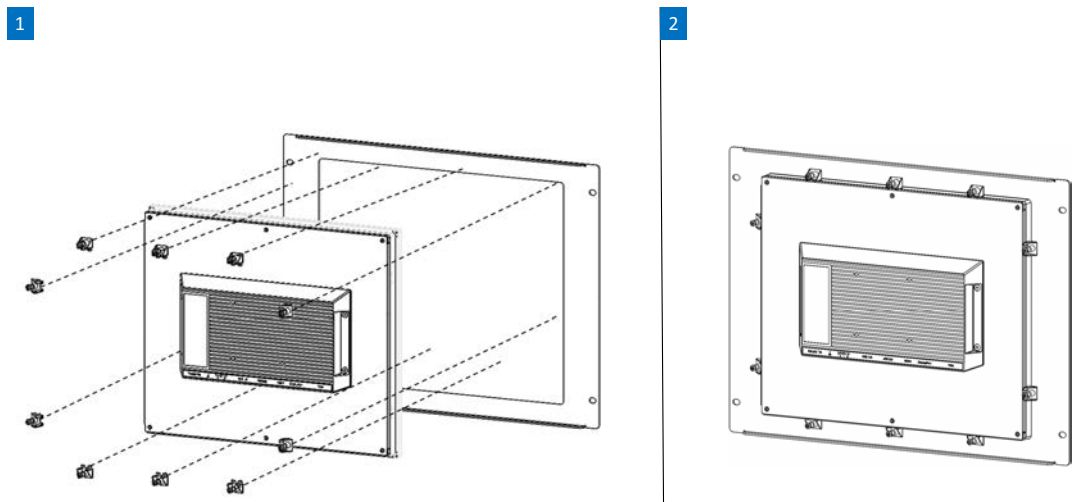


Figure 2.8 FPM-715 and FPM-717 Rack Mounting

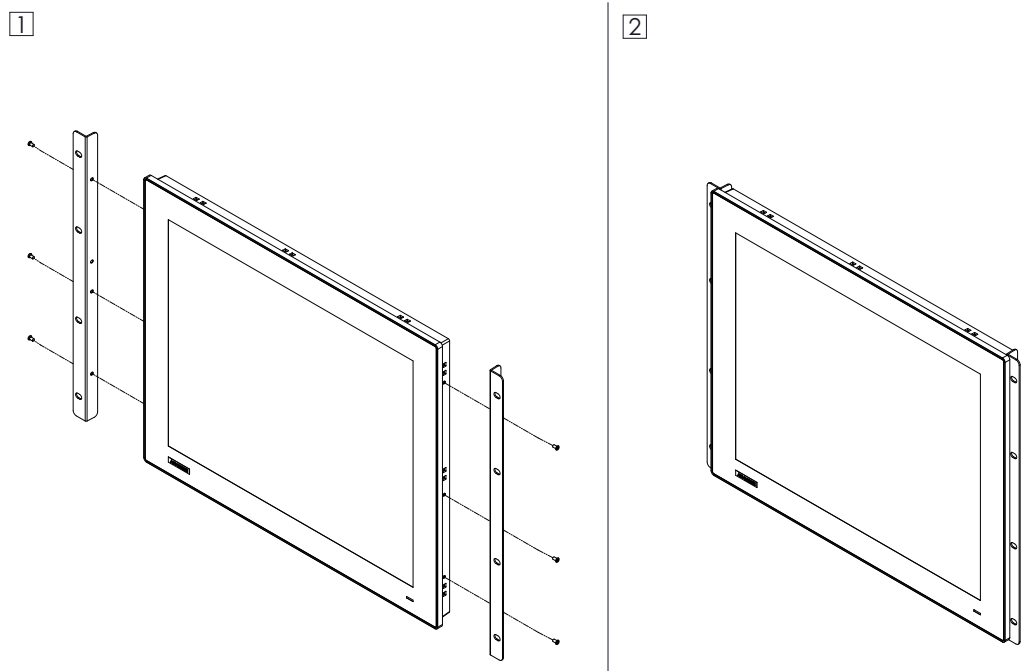


Figure 2.9 FPM-719 Rack Mounting

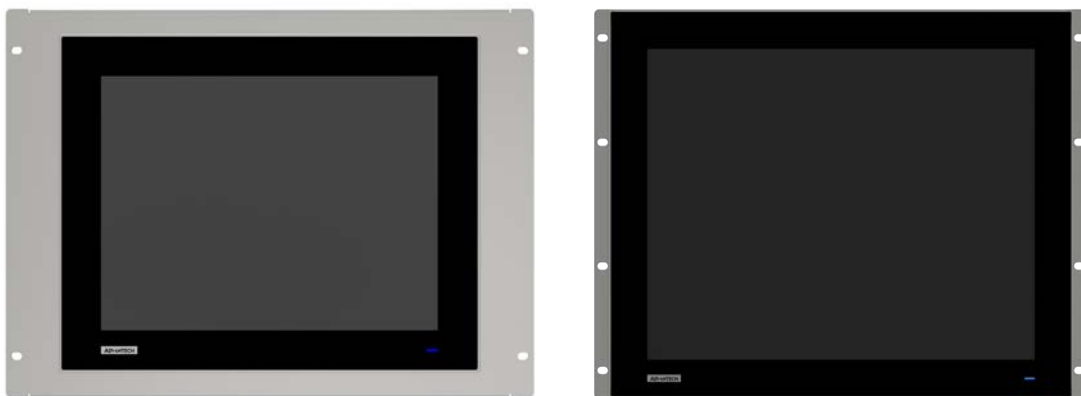


Figure 2.10 Rack Mounting

### 2.1.5 VESA Mounting/Montage VESA

For VESA mounting, the FPM-715/717/719/715W/721W/724W is a VESA MIS-D, 75, C compliant display equipped with a 75 x 75 mm square-hole pattern. Use M4 screws to attach the mount to the FPM-715/717/719/715W.

*Si le montage VESA est préférable, le FPM-715/717/719/715W/721W/724W est un écran conforme à la norme VESA MIS-D, 75, équipé de perforations carrées de 75 x 75 mm. Utilisez des vis M4 pour fixer le support au FPM-715/717/719/715W.*

The FPM-710SW is a VESA-compliant display equipped with a 100 x 100 mm square-hole pattern. Use M4 screws to attach the mount to the FPM-710SW.

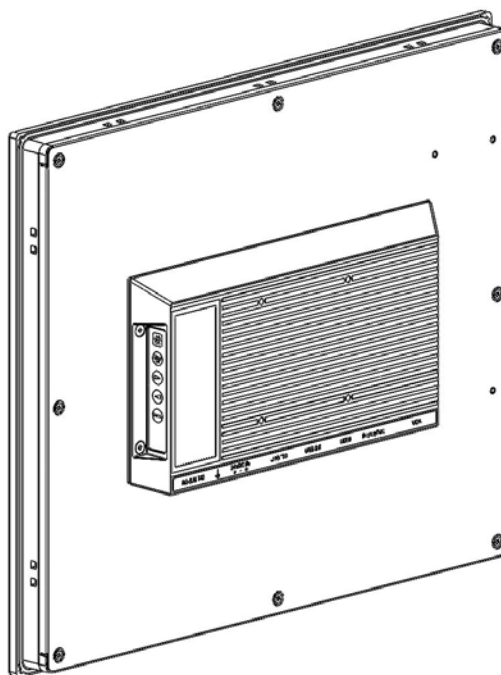
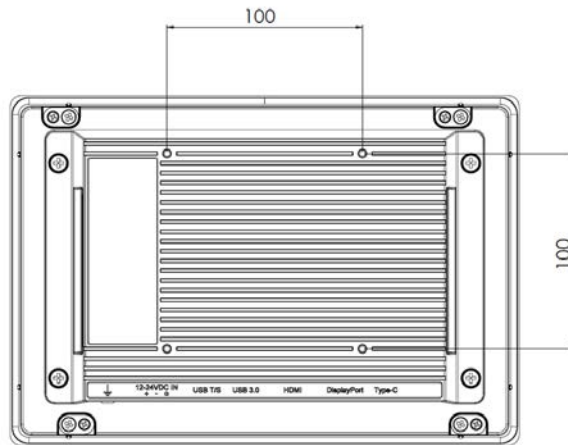


Figure 2.11 VESA Mounting for FPM-715/717/719/715W/721W/724W



**Figure 2.12 VESA Mounting for FPM-710SW**

**Warning!** Use a suitable mounting apparatus to avoid risk of injury.



**Remarque!** Utiliser un appareil de montage approprié pour éviter tout risque de blessure.



**Warning!** VESA screw mounting specifications: M4. Depth of the screw hole: 10 mm (Max.).



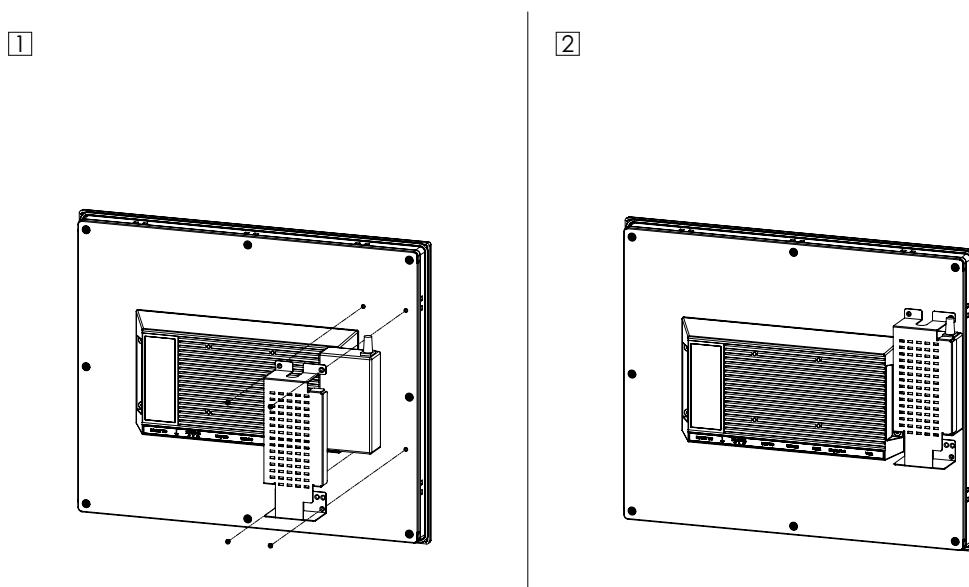
**Remarque!** Spécifications de montage de la vis VESA: M4. Profondeur du trou de vis: 10 mm (max.).



## 2.1.6 Power Adapter Bracket Mounting (Optional)

A metal bracket is offered as an optional accessory for the FPM-717/719/715W/721W/724W. (P/N: FPM-7000G-ADKE). This helps avoid hanging or loose power adapters.

This metal bracket can be mounted on the back of the monitor in 2 simple steps:



**Figure 2.13 Power Adapter Bracket Mounting**

1. Place the metal bracket on top of the power adapter and align it flat against the dedicated holes.
2. Secure the metal bracket with the included screws and the metal bracket installation is complete.

This equipment must be installed and removed by a trained skilled person.

### **Recommendations for maximum cable distance and wires:**

Single copper or multi-core copper wire, at 80°C.

Wire range 12-24 AWG.

Wire strip length: 4-5 mm.

Screw torque: 7.0 lb-inch.



# Chapter 3

Installing the Lockable  
Kit

### 3.1 Purpose

The main use of the lockable kit is for securely fixing external I/O cables (USB cable) to the FPM System to make sure the USB cables have been secured tightly on the system to prevent unintentional disconnection.

### 3.2 Lockable Kit Configuration



Figure 3.1 Lockable Kit for the FPM-715/717/719/715W/721W/724W

**Table 3.1: Lockable Kit for FPM-715/717/719/715W/721W/724W**

Item	Part No.	Description	Qty	Notes
HDMI and DP lockable kit	1920002225-01	Nut M3 D=6.5 H=2.5 ST lockable for UNO-2271G	4	
	1930007462-01	Screw M3*55.2L - H=6.8 lockable for UNO-2271G	1	FPM-715/717/719/715W/721W/724W
	1990028810S000	Lock stopper (FWI-8CM-N2B)for UNO-2271G	2	

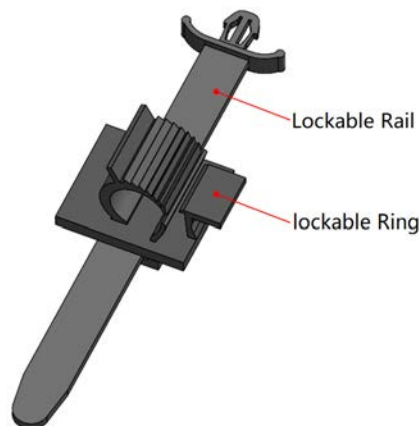


Figure 3.2 Lockable Kit for the FPM-710SW

**Table 3.2: Lockable Kit for the FPM-710SW**

Item	Part No.	Description	Qty	Notes
HDMI and DP lockable kit	1990022422S000	Fixed rail 71.3Lx6.2W mm YJC-64C for UBC-DS31	3	FPM-710SW
	1990022423S000	Fixed ring DIA:7.5-8.5 FWM-8K for UBC-DS31	3	

### 3.2.1 Assembly of the FPM-715/717/719/715W/721W/724W

Follow the 4 steps to fix the HDMI/DP cable with the lockable kit:

1. Find the lockable hole on the FPM System near the HDMI/DP Port.
2. Plug the lockable screw into the lockable hole on the FPM.
3. Plug in the HDMI/DP connector, secure the HDMI/DP cable through the lockable stopper, and fix the position of each lockable stopper with 2 lockable nuts.
4. Adjust the lockable stopper to fit with the cable dimensions and length.





### 3.2.2 Assembly of the FPM-710SW

Follow these 4 steps to fix the HDMI/DP cable with the lockable kit:

1. Find the lockable hole on the FPM System under the HDMI/DP Port.
2. Plug the lockable rail into the lockable hole on the FPM.
3. Plug in the HDMI/DP connector, secure the HDMI/DP cable through the lockable kit, and fix the position of each lockable ring.
4. Adjust the lockable stopper to fit with the cable dimensions and length.







# Appendix **A**

Touchscreen

## A.1 Introduction

The FPM-715/717/719 touchscreen uses advanced 5-wire resistive technology. The FPM-715W touchscreen uses Projected capacitive (PCAP) touch technology. It provides more accurate sensing capacity than other technologies. The touchscreens are designed for industrial environments and adhere to FCC Class A standards.

## A.2 Touchscreen Specifications (15"/17"/19"/15.6"/21.5"/23.8")

### A.2.1 Optical Features

Table A.1: Optical Features							
Specification	10.1"	15"	17"	19"	15.6"	21.5"	23.8"
Light Transmission	Above 75%						
Haze	< 1%						

### A.2.2 Electrical Specifications

Table A.2: Electrical Specifications							
Specification	10.1"	15"	17"	19"	15.6"	21.5"	23.8"
Operation Voltage	5.5 V or below						
Contact Current	70 mA (Maximum)						

### A.2.3 Environmental Specifications

Table A.3: Environmental Specifications								
Specification	10.1"	15"	17"	19"	15.6"	21.5"	23.8"	
Operating Temperature	-10 ~ 50°C	-20 ~ 60°C					0 ~ 50°C	
Storage Temperature	-20 ~ 60°C	-30 ~ 70°C						
Humidity	10 - 95%, non-condensing							

## A.3 Installing Drivers for Windows OS

The touchscreen has drivers for Windows 7/8/10 and ADV Linux users. The FPM-715/717/719 series requires installation of the Penmount 6000 driver. Please go to the website below to download the Penmount 6000 driver, then install the driver onto your system.

[https://support.advantech.com/support/new\\_default.aspx](https://support.advantech.com/support/new_default.aspx)

## A.4 LED Functions

Table A.4: LED Functions	
ON	Blue
Standby	Orange
No Signals	Orange



# Appendix **B**

OSD Operation  
Keypad

## B.1 OSD Board Overview

The OSD keypad, including 6 x keys and a 2 x color indicators, is designed as the OSD operation interface.

**Note!** *This sheet is only for reference. Different models will have different styles, but the functionality is the same.*



### B.1.1 OSD Button Descriptions

**Table B.1: OSD Button Descriptions**

Auto/Exit	Automatically adjust the clock, phase, H-position and V-position Exit menu
Up/Right/Increase	Increase the brightness Move the selector to the next option Increase the gauge value of the selected option
Down/Left/Decrease	Decrease the brightness Move the selector to the previous option. Decrease the gauge value of the selected option
Menu/Sel	Activate the OSD menu Enter/confirm the selected option
Source	Changes the input video source

## B.2 OSD Key Functions

Each selected value is stored into the LCD memory after SEL signal input or time out. The stored values are not affected if the power is turned off. But the selected value is not available in case a selected mode is changed before time out or power is turned off before time out. TIME OUT -> 5-6 seconds (this can be set in the OSD Manager)  
The default definition of input keys is shown below.

### B.2.1 Menu Start

Generate Main Menu

Press the MENU Button in the OSD function key

- Main Menu -- Displayed On Screen



- Available Key Functions

	Select to exit the menu or wait for time-out		Confirm Enter the selected option
	Moves the selection up Select the sub-menu		Detects video source
	Moves the selection down Select the sub-menu		

## B.2.2 Picture

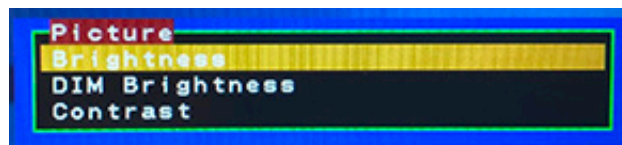
- Generate Main Menu

Select using the up and down buttons, then press the menu button for confirmation.






- Main Menu -- Displayed On Screen



- Sub-Menu – Displayed On Screen



- Available Key Functions

	Select to exit the menu or wait for time-out		Confirm Enter the selected option
	Moves the selection up Select the sub-menu		N/A
	Moves the selection down Select the sub-menu		

### B.2.3 Geometry

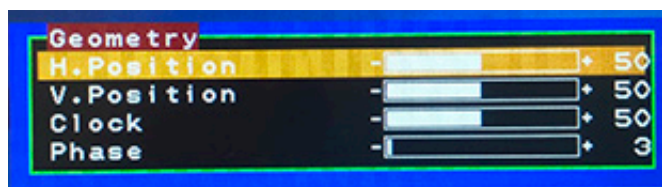
- Generate Main Menu

Select using the up and down buttons, then press the menu button for confirmation.






- Main Menu -- Displayed On Screen



- Sub-Menu – Displayed On Screen



- Available Key Functions

	Return to the previous menu		Select to confirm
	Select to move up		N/A
	Select to move down		

## B.2.4 Color Temperature Menu

- Generate Main Menu

Select using the up and down buttons, then press the menu button for confirmation.






- Main Menu -- Displayed On Screen



- Sub-Menu – Displayed On Screen



- Available Key Functions

	Return to the previous menu		Select to confirm
	Select to move up		N/A
	Select to move down		

## B.2.5 OSD Manager

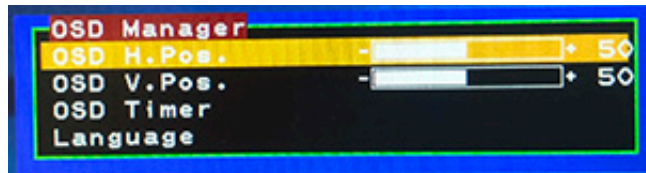
- Generate Main Menu

Select using the up and down button, then press the menu button for confirmation.

- Main Menu -- Displayed On Screen



- Sub-Menu – Displayed On Screen



- Available Key Functions

	Return to the previous menu		Select to confirm
	Select to move up		N/A
	Select to move down		

## B.2.6 Touch Control

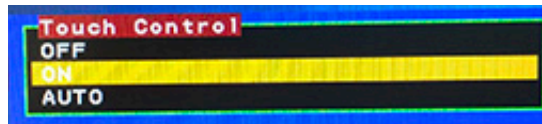
- Generate Main Menu

Select using the up and down buttons, then press the menu button for confirmation.






- Main Menu -- Displayed On Screen



- Sub-Menu – Displayed On Screen



- Available Key Functions

	Return to the previous menu		Select to confirm
	Select to move up		N/A
	Select to move down		

**Table B.2: Touch Control**

Light Signal	States
Blue/Orange flashing	Off/No Signal
Orange flashing	No Signal
Orange stays on	On/No Signal

## B.2.7 ERP Control

- Generate Main Menu

Select using the up and down buttons, then press menu button for confirmation.

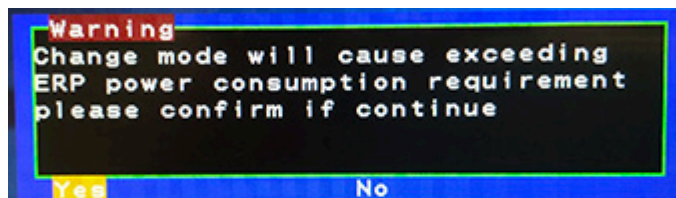
- Main Menu -- Displayed On Screen








- Sub-Menu – Displayed On Screen



If you select ERP mode off, the system will pop up the following warning which means the system will exceed the ERP power consumption requirement, but it is still workable.



- Available Key Functions

	Return to the previous menu		Select to confirm
	Select to move up		N/A
	Select to move down		

## B.2.8 All Reset


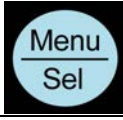



- Generate Main Menu

Select using the up and down buttons, then press the menu button for confirmation.

- Main Menu -- Displayed On Screen



- Available Key Functions

	Return to the previous menu		Select to confirm
	Select to move up		Detect video source
	Select to move down		

## B.2.9 Exit

- Generate Main Menu

Select using the up and down buttons, then press the menu button for confirmation.

- Main Menu -- Displayed On Screen





## [www.advantech.com](http://www.advantech.com)

Please verify specifications before quoting. This guide is intended for reference purposes only.

All product specifications are subject to change without notice.

No part of this publication may be reproduced in any form or by any means, such as electronically, by photocopying, recording, or otherwise, without prior written permission from the publisher.

All brand and product names are trademarks or registered trademarks of their respective companies.

© Advantech Co., Ltd. 2025