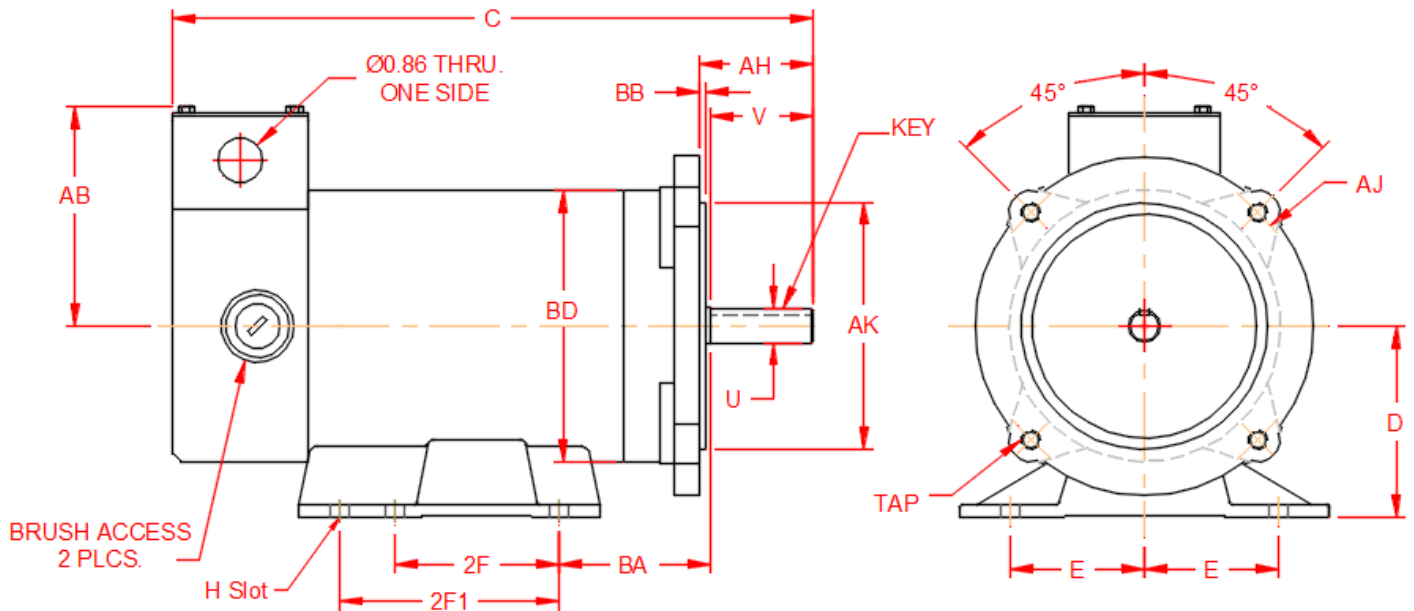


# Hallmark Industries, Inc. - PM DC MOTORS

Part Number: **MD0505C**

Description: PM DC, SCR Type, 1/2 HP, 90V, TENV, 56C w/Removable Base



| D     | E      | 2F   | H             | U     | V     | AB  | AH     | AJ    | AK    | BA    | BB    | BD   | TAP           | C    |
|-------|--------|------|---------------|-------|-------|-----|--------|-------|-------|-------|-------|------|---------------|------|
| 3-1/2 | 2-7/16 | 3.00 | 11/32<br>SLOT | 0.625 | 1.875 | 3.6 | 2-1/16 | 5.875 | 4.500 | 2.750 | 0.125 | 4.45 | 3/8-16<br>UNC | 10.7 |

| Part #  | H.P. | Base RPM | Arm. Volt. | NEMA Frame | Encl. | F.L Amps | INSUL. | F.F. | Torque    | Serv. Factor | App. Wgt. |
|---------|------|----------|------------|------------|-------|----------|--------|------|-----------|--------------|-----------|
| MD0505C | 1/2  | 1750     | 90 VDC     | 56C        | TENV  | 5.3      | F      | 1.35 | 18 in.lbs | 1.0          | 19 lbs    |

## HALLMARK INDUSTRIES, INC.

411 E. North Ave, Streamwood, IL 60107, USA • Ph: 847-301-8050 • www.hallmarkind.com