

Mogul Pulling Elbow/Service Entrance Bodies

Application

- Raintight junction for bringing electrical service into a location
- Accessible wiring chamber provides a convenient location to pull conductors and make splices

Features/Benefits

- Copper-free* aluminum provides increased corrosion resistance
- Precision-cast and machined surfaces permit safer wire pulling
- Clean cover edges provide good gasket sealing
- Precision NPT threaded hubs enable trouble-free field installation for rigid and IMC conduit
- Retained deep-slotted stainless steel cover screws for faster installation
- Clear UL®, CSA and cubic content markings speed approval by inspectors



Standard Materials:

- Service Entrance Bodies: Die-cast aluminum alloy A360 with less than .004% copper content (copper-free)
- Covers ½" and ¾": Stamped aluminum alloy and stainless steel screws
- Covers 1" through 4": Die-cast aluminum alloy A360 with less than .004% copper content (copper-free) and stainless steel screws
- Gaskets: Composition

Standard Finish:

- Powder-coated gray

Compliances:

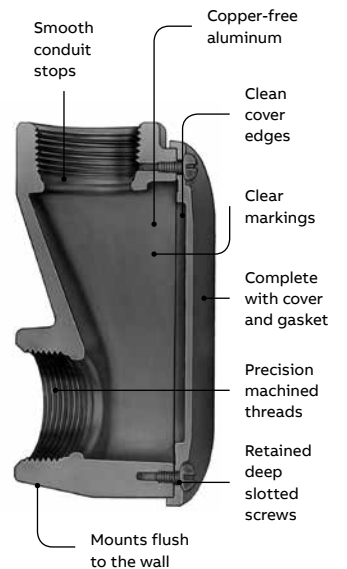
- UL® Listed
- CSA Certified
- Federal Spec. W-C-586
- NEC® Section 314.28

Sample Specifications:

- Service Entrance Fittings shall be die-cast

copper-free* aluminum alloy A360. All conduit stops shall be free of rough edges. Service Entrance Fittings shall be finished with aluminum lacquer. Service Entrance Fittings shall be Red·Dot® Catalog No. _____

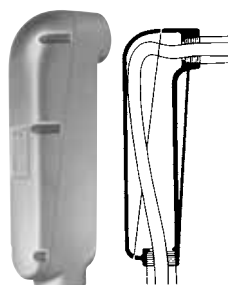
* Less than .004% copper content.



Aluminum Mogul Pulling Elbows

Spacious, accessible wiring chamber for pulling conductors, making splices and bringing electrical service into a location.

- Dome cover — extra bending room
- Deep-slotted stainless steel cover screws
- "I" beam construction adds strength
- Smooth throats for easy wire pulling
- Extra wiring room
- Meets NEC® Section 314.28
- Ultra-high pressure die-cast aluminum
- UL® Listed, CSA Certified
- Copper-free aluminum, less than .004% copper content



Bodies with Covers and Gaskets

Cat. No.	Hub Size	Unit Qty.	Std. Pkg.	Wt. lbs. per 100
MALB-3	1"	1	10	174
MALB-4	1¼"	2	10	160
MALB-5	1½"	1	1	400
MALB-6	2"	1	1	375
MALB-7	2½"	1	1	1100
MALB-8	3"	1	1	1060
MALB-9	3½"	1	1	1900
MALB-10	4"	1	1	1800



Replacement Covers and Gaskets

Cover Cat. No.	Gasket Cat. No.	Hub Size	Unit Qty.	Std. Pkg.	Wt. lbs. per 100
—	MGKV-5	1¼"	1	5	4
MALB-56CV	MGKV-5	1½" to 2"	1	5	4
MALB-78CV	MGKV-6	2½" to 3"	1	5	5
MALB-90CV	MGKV-7	3½" to 4"	1	5	5

Service Entrance Fittings

Accessible junctions for bringing electrical service into a location.

- Mounts flush to wall
- Standard and extra-long configurations
- Retained deep-slotted stainless steel cover screws
- Smooth throats for easy wire pulling
- Ultra-high pressure die-cast aluminum
- Meets NEC® Article 370-28
- UL® Listed, CSA Certified
- Copper-free aluminum, less than .004 copper content



ASLB-1



DASLB-1

1/2"-2" Bodies with Covers and Gaskets

Cat. No.	Hub Size (in.)	Cover Only
ASLB-1	1/2	ASLB1CV
ASLB-2	3/4	ASLB2CV
ASLB-3	1	ASLB3CV
ASLB-4	1 1/4	ASLB4CV
ASLB-5	1 1/2	ASLB5CV
ASLB-6	2	ASLB6CV

D-PAK® *

Cat. No.	Hub Size (in.)
DASLB-1	1/2
DASLB-2	3/4
DASLB-3	1

* Cover only.



ASLB



SALB

2 1/2"-4" Bodies with Covers and Gaskets

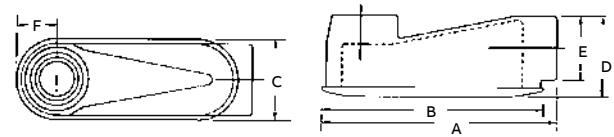
Cat. No.	Hub Size (in.)
SALB-7	2 1/2
SALB-8	3
SALB-9	3 1/2
SALB-10	4

Extra-Long Bodies with Covers and Gaskets

Cat. No.	Hub Size (in.)	Cover Only
ASLB-XL4	1 1/4	ASLBXL4CV*
ASLB-XL6	2	ASLBXL6CV*

Note: Raintight when used with appropriate Red•Dot® covers.

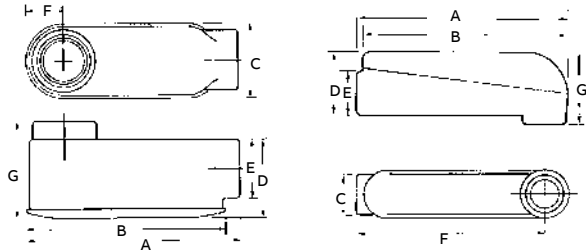
ASLB and ASLB-XL Dimensions



ASLB & ASLB-XL

Size (in.)	Dimensions (in.)						CI
	A	B	C	D	E	F	
ASLB							
1/2	3 1/16	2 3/4	1 1/4	1 9/16	1 1/8	1 1/16	2.0
3/4	3 15/16	3 1/4	1 1/2	1 3/4	1 3/8	3/4	3.0
1	4 1/4	3 7/8	1 3/4	2 3/16	1 3/4	1 1/16	5.5
1 1/4	5 1/2	5 1/4	2 3/8	3	2 3/16	1 1/4	13.0
1 1/2	6 1/4	6	2 7/16	3 1/4	2 7/16	1 1/2	18.8
2	6 3/4	6 1/2	3 1/8	4	2 7/8	1 5/8	38.8
ASLB-XL							
1 1/4	8	7 1/2	2 1/2	2 3/4	2 7/32	1 5/16	24.5
2	9 15/16	9 3/4	3 3/8	3 3/4	2 15/16	1 5/8	58.0

SALB and MALB Dimensions



SALB

MALB

Size (in.)	Dimensions (in.)							CI
	A	B	C	D	E	F	G	
SALB								
2 1/2	13	12 5/8	4 13/16	4 1/2	3 3/8	2 1/4	5 7/8	190
3	13	12 5/8	4 1/2	5 1/4	4 1/8	2 7/16	6 7/16	190
3 1/2	16 1/2	15 3/8	5 1/2	6 1/4	5 1/8	2 3/4	7 9/16	366
4	16 1/2	15 3/8	5 1/2	6 1/4	5 1/8	2 3/4	7 9/16	366
MALB								
1	9 5/8	9 1/16	2 1/2	2 3/4	2 1/16	8 1/2	3 5/8	40
1 1/4	9 5/8	9 1/16	2 1/2	2 3/4	2 1/16	8 1/2	3 5/8	40
1 1/2	14 17/32	14 1/4	2 3/4	4	2 13/16	13	5 7/32	128
2	14 17/32	14 1/4	2 3/4	4	2 13/16	13	5 7/32	128
2 1/2	21 17/32	21 19/32	4 1/2	5 5/8	4 1/8	18	7 23/32	398
3	21 17/32	21 19/32	4 1/2	5 5/8	4 1/8	18	7 23/32	398
3 1/2	28 5/8	28 17/32	5 1/2	6 1/2	5 1/8	24	9 23/32	766.7
4	28 5/8	28 17/32	5 1/2	6 1/2	5 1/8	24	9 23/32	766.7