

Rolled Steel AC Motors, Three Phase



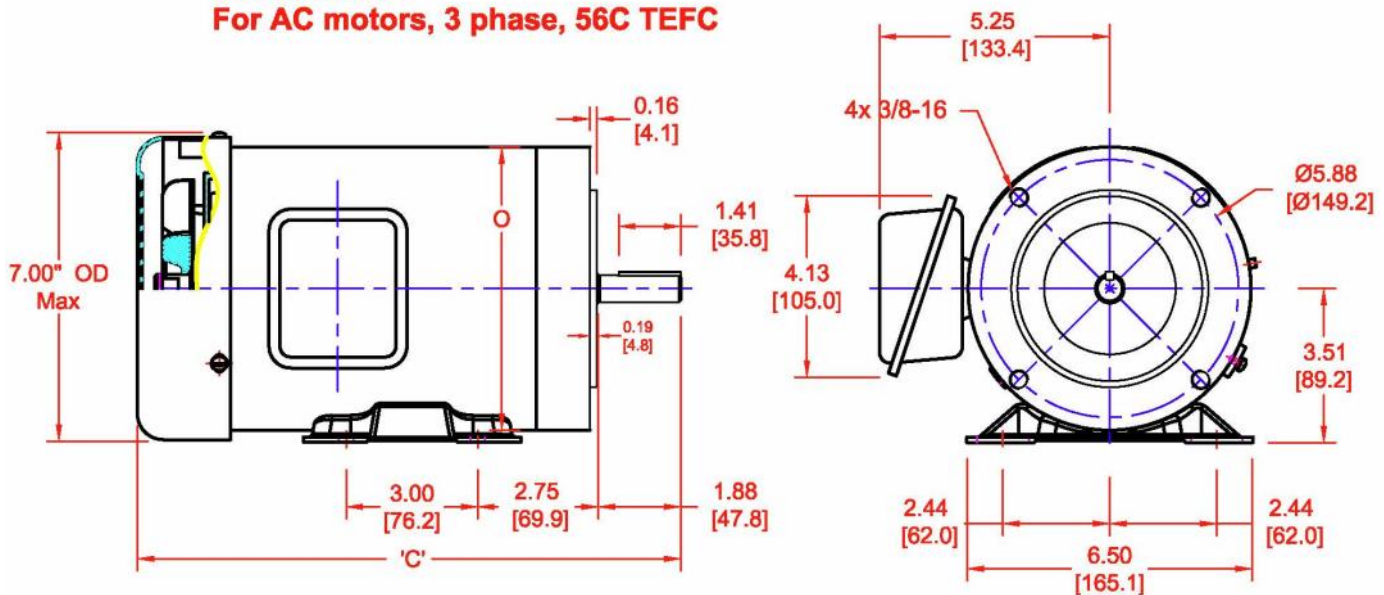
Features

- Totally Enclosed Fan Cooled (TEFC) enclosure
- Dual mounting with NEMA 56C and removable base
- Inverter duty
- Class F insulation
- Rolled steel shell frame / cast aluminum end bell
- Removable base / bolt-on/bolt-off mounting feet
- Large all-metal capacitor cover with rubber gasket
- Large easy-to-wire junction box with rubber gasket
- Heavy duty oversized ball bearings
- High tensile strength steel shaft
- Electrically reversible
- NEMA design B
- Service Factor: 1.15

Item #	HP	RPM	Voltage	Frame	Encl.	O (max)	C (max)	F.L Amps	S. F.	Weight
MA0503E	1/3	1725	208-230/460	56C	TEFC	6.5	11.5	1.44/0.72	1.15	20
MA0505E	1/2	1725	208-230/460	56C	TEFC	6.5	11.5	1.78/0.93	1.15	22
MA0507E	3/4	1725	208-230/460	56C	TEFC	6.5	12.5	2.5/1.24	1.15	24
MA0510E	1	1725	208-230/460	56C	TEFC	6.5	12.5	2.73/1.36	1.15	33
MA0515E	1.5	1725	208-230/460	56C	TEFC	6.5	13.1	5.53/2.73	1.15	36
MA0520E	2	1725	208-230/460	56C	TEFC	6.5	13.1	10.4/5.2	1.15	39

DIMENSIONS

For AC motors, 3 phase, 56C TEFC



HALLMARK INDUSTRIES, INC.