



Emergency pull-wire switch

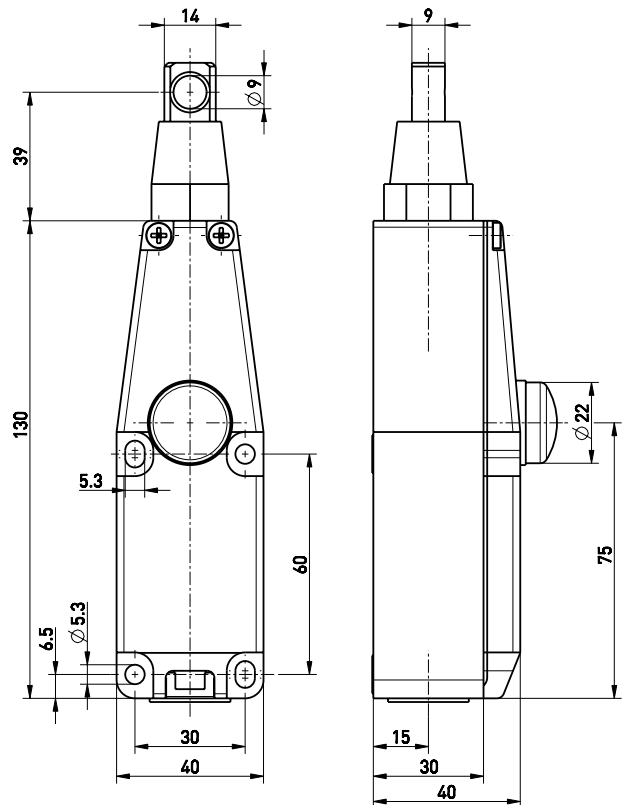
ZS 70 2Ö VD

Article no.: 1178380 (old article no.: 70541501)

Product features

- Thermoplastic enclosure
- 2 contacts
- Mounting details to EN 50041
- Compact design
- Wire length up to 10 m
- Release by push button (VD)
- Wire pull and breakage detection

Dimensions



Technical data

Applied standards

EN 60947-5-1, EN 60947-5-5, EN ISO 13850, EN ISO 13849-1

Enclosure

thermoplastic, glass-fibre reinforced, shockproof, self-extinguishing UL 94 V-0

Cover

thermoplastic, glass-fibre reinforced, shockproof, self-extinguishing UL 94 V-0

Degree of protection

IP67 (IEC/EN 60529)

B_{10d} (10 % load)

200 000

T_M

max. 20 years

Contact material

silver

Switching elements

2 NC contacts, type Zb

Switching system

snap action, positive break NC contacts ⊖

Connection

screw connection terminals

Cable cross-section

min. 0.5 mm², max. 2.5 mm² (incl. conductor ferrules)

Stripping length

6 mm

Cable entry

1 x M20 x 1.5 (for cable glands only)

Rated impulse withstand voltage U_{imp}

6 kV

Rated insulation voltage U_i

400 V

Conventional thermal current I_{the}

6 A

Utilisation category

AC-15

Errors and omissions excepted.



Emergency pull-wire switch ZS 70 2Ö VD

Article no.: 1178380 (old article no.: 70541501)

Technical data (contd.)

Rated operating current/voltage I_e/U_e
6 A/400 VAC

Short-circuit protection
6 A gG fuse

Ambient temperature
-25 °C ... +70 °C

Mechanical life
> 100 000 operations

Max. wire length
10 m

Note

At 2.5 m distance intermediate wire supports are required.
One wire thimble is provided.

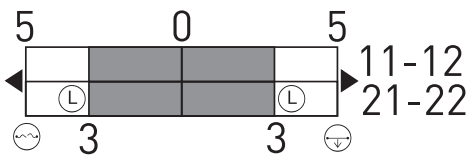
Approvals



Weight

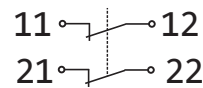
235 g

Switching diagram



- Ⓛ Latching point
- ⊖ Wire breakage detection
- ⊕ Wire pull detection

Contact diagram



Errors and omissions excepted.