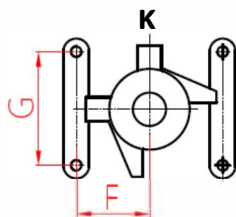
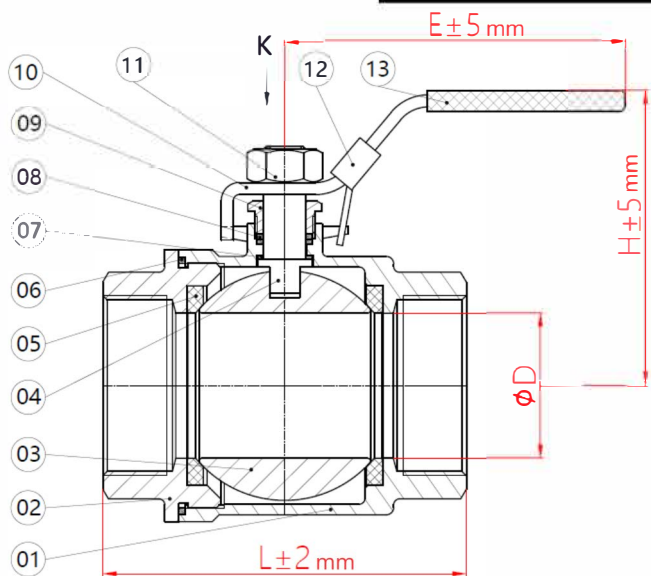


## 316 Stainless Steel Ball Valve 1000 PSI Full-Port



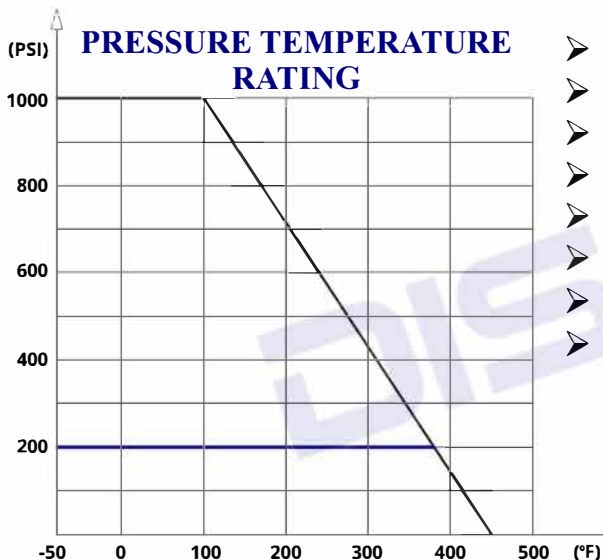
\*2-1/2" - 4"

### MATERIALS LIST

No.	Part Name	Material
1	Body	CF8M
2	End Cap	CF8M
3	Ball	316SS
4	Stem	316SS
5	Seat	RPTFE
6	Gasket	PTFE
7	Thrust Washer	PTFE
8	Packing	PTFE
9	Gland	304SS
10	Handle	201
11	Elastic Gasket	304SS
12	Handle Nut	304SS
13	Locking Pad	201
14	Handle Sleeve	PVC

### DESIGN FEATURES

- 1000 PSI WOG
- Steam rating: 150 PSI WSP
- Blow-out-proof stem design
- Test and Inspection: API 598
- Temperature Range: -4°F to 375°F
- Meets NACE MR-01-75 Requirements
- Pressure & Temperature: ASME B16.34
- Seat: Reinforced Teflon, not compatible with strong acids



Part Number	Size	F		G	
		inch	mm	inch	mm
100097	2 1/2	1.38	35	2.13	54
100098	3	1.38	35	2.13	54
101125	4	1.34	34	1.99	51

### DIMENSIONS

Part Number	Size	D		L		E		H		CV
		inch	mm	inch	mm	inch	mm	inch	mm	
100089	1/4	0.47	12	2.20	56	3.54	90	1.97	50	6
100090	3/8	0.47	12	2.20	56	3.54	90	1.97	50	11
100091	1/2	0.59	15	2.48	63	4.33	110	2.17	55	20
100092	3/4	0.79	20	2.95	75	4.33	110	2.56	65	38
100093	1	0.98	25	3.39	86	5.71	145	2.95	75	72
100094	1 1/4	1.26	32	3.90	99	5.71	145	3.15	80	93
100095	1 1/2	1.50	38	4.21	107	7.48	190	3.54	90	145
100096	2	1.93	49	4.80	122	7.48	190	3.94	100	230
100097	2 1/2	2.56	65	6.22	158	8.66	220	5.12	130	406
100098	3	3.07	78	7.28	185	9.65	245	5.71	145	576
101125	4	3.94	100	8.78	223	12.80	325	6.34	161	940