

Product Specifications

Part Numbers Information

Electrical Specifications

Voltage Rating: 250VAC
Operating Temperature: -55°C ~ 125°C

Standards

125mA-15A cURus
File E197390
Tested to IEC 60127 standards



Interrupting Rating

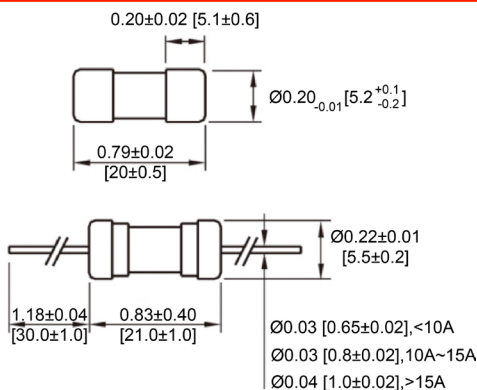
35A or 10In (whichever is larger)

Material Specifications

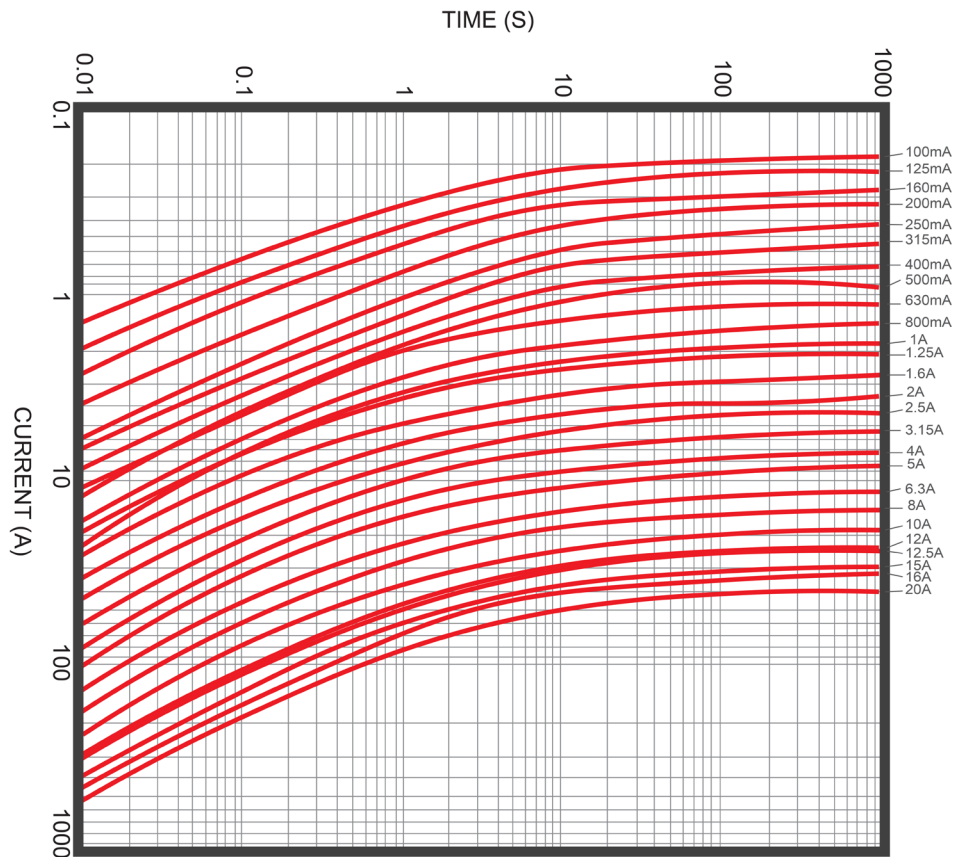
Body Material: Glass

Cartridge P/N	Axial Lead P/N	Ampere Rating	I ² T Reference (A ² Sec)
TSD-100mA	TSD-P-100mA	100mA	0.0223
TSD-125mA	TSD-P-125mA	125mA	0.0417
TSD-160mA	TSD-P-160mA	160mA	0.0767
TSD-200mA	TSD-P-200mA	200mA	0.1628
TSD-250mA	TSD-P-250mA	250mA	0.3808
TSD-315mA	TSD-P-315mA	315mA	0.4833
TSD-400mA	TSD-P-400mA	400mA	0.7968
TSD-500mA	TSD-P-500mA	500mA	1.362
TSD-630mA	TSD-P-630mA	630mA	1.583
TSD-800mA	TSD-P-800mA	800mA	3.004
TSD-1A	TSD-P-1A	1A	5.309
TSD-1.25A	TSD-P-1.25A	1.25A	3.879
TSD-1.6A	TSD-P-1.6A	1.6A	6.89
TSD-2A	TSD-P-2A	2A	12.33
TSD-2.5A	TSD-P-2.5A	2.5A	20.63
TSD-3.15A	TSD-P-3.15A	3.15A	36.91
TSD-4A	TSD-P-4A	4A	70.56
TSD-5A	TSD-P-5A	5A	108.7
TSD-6.3A	TSD-P-6.3A	6.3A	187.8
TSD-8A	TSD-P-8A	8A	314.9
TSD-10A	TSD-P-10A	10A	583.4
TSD-12A	TSD-P-12A	12A	958.9
TSD-12.5A	TSD-P-12.5A	12.5A	1045
TSD-15A	TSD-P-15A	15A	1668
TSD-16A	TSD-P-16A	16A	2231
TSD-20A	TSD-P-20A	20A	3010

Mechanical Dimensions: Inches [mm]

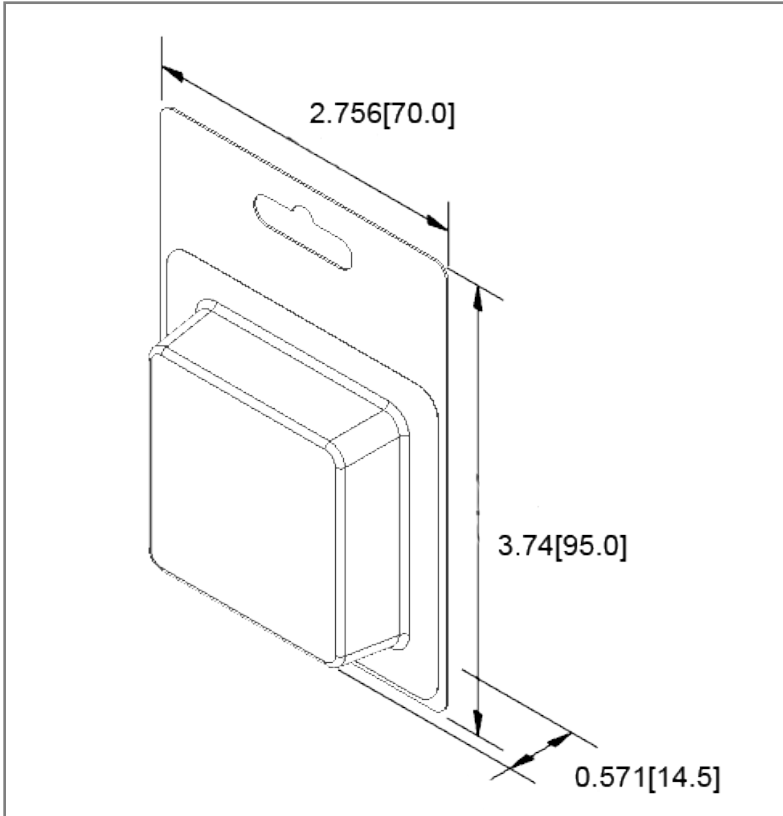


Time vs Percent of Rated Current

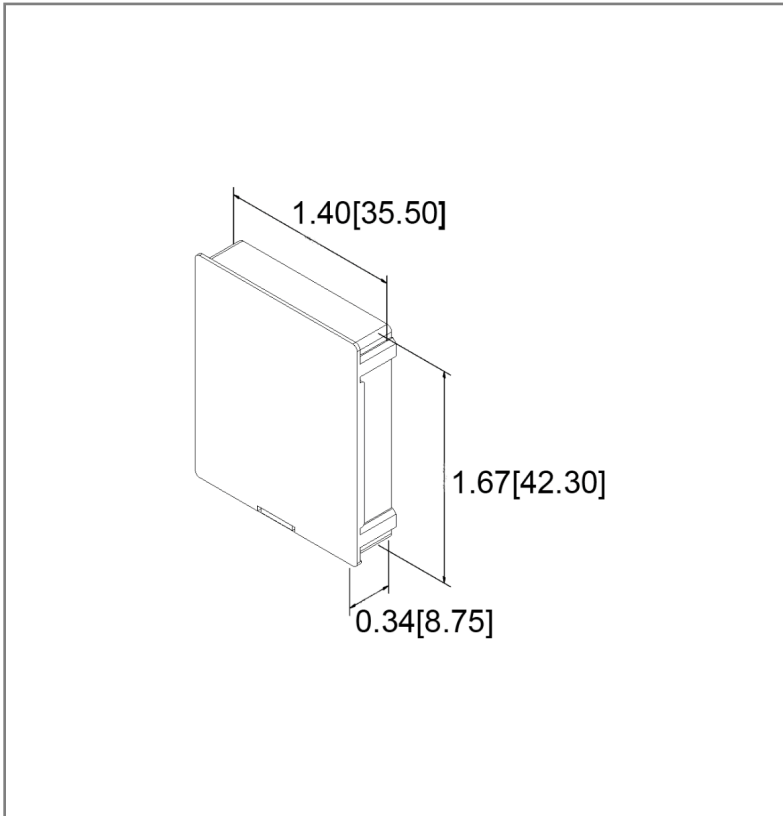


% of Rated Current	Current Rating	Min Hold Time	Max Hold Time
210%	100mA	-	2 min
275%		200ms	10s
400%		40ms	3s
1000%		10ms	300ms
210%	125mA-10A	-	2 min
275%		600ms	10s
400%		150ms	3s
1000%		20ms	300ms
210%	>10A	-	5 min
275%		600ms	15s
400%		150ms	5s
1000%		20ms	400ms

Blister Pack: Inches [mm]



Pill Box: Inches [mm]



Retail Pack Part Number Information

Ampere Rating	Retail Pack # Blister Card (5PCS)	Retail Pack # Pill Box (5PCS)
100mA	TSD-100mA-BP	TSD-100mA-BX
125mA	TSD-125mA-BP	TSD-125mA-BX
160mA	TSD-160mA-BP	TSD-160mA-BX
200mA	TSD-200mA-BP	TSD-200mA-BX
250mA	TSD-250mA-BP	TSD-250mA-BX
315mA	TSD-315mA-BP	TSD-315mA-BX
400mA	TSD-400mA-BP	TSD-400mA-BX
500mA	TSD-500mA-BP	TSD-500mA-BX
630mA	TSD-630mA-BP	TSD-630mA-BX
800mA	TSD-800mA-BP	TSD-800mA-BX
1A	TSD-1A-BP	TSD-1A-BX
1.25A	TSD-1.25A-BP	TSD-1.25A-BX
1.6A	TSD-1.6A-BP	TSD-1.6A-BX
2A	TSD-2A-BP	TSD-2A-BX
2.5A	TSD-2.5A-BP	TSD-2.5A-BX
3.15A	TSD-3.15A-BP	TSD-3.15A-BX
4A	TSD-4A-BP	TSD-4A-BX
5A	TSD-5A-BP	TSD-5A-BX
6.3A	TSD-6.3A-BP	TSD-6.3A-BX
8A	TSD-8A-BP	TSD-8A-BX
10A	TSD-10A-BP	TSD-10A-BX
12A	TSD-12A-BP	TSD-12A-BX
12.5A	TSD-12.5A-BP	TSD-12.5A-BX
15A	TSD-15A-BP	TSD-15A-BX
16A	TSD-16A-BP	TSD-16A-BX
20A	TSD-20A-BP	TSD-20A-BX

* Retail packs are for cartridge style fuses only

Rev Date of issue Revision Notes

Designed Approved

I	05-29-2025	Updated Product Specifications	RC	OF
---	------------	--------------------------------	----	----