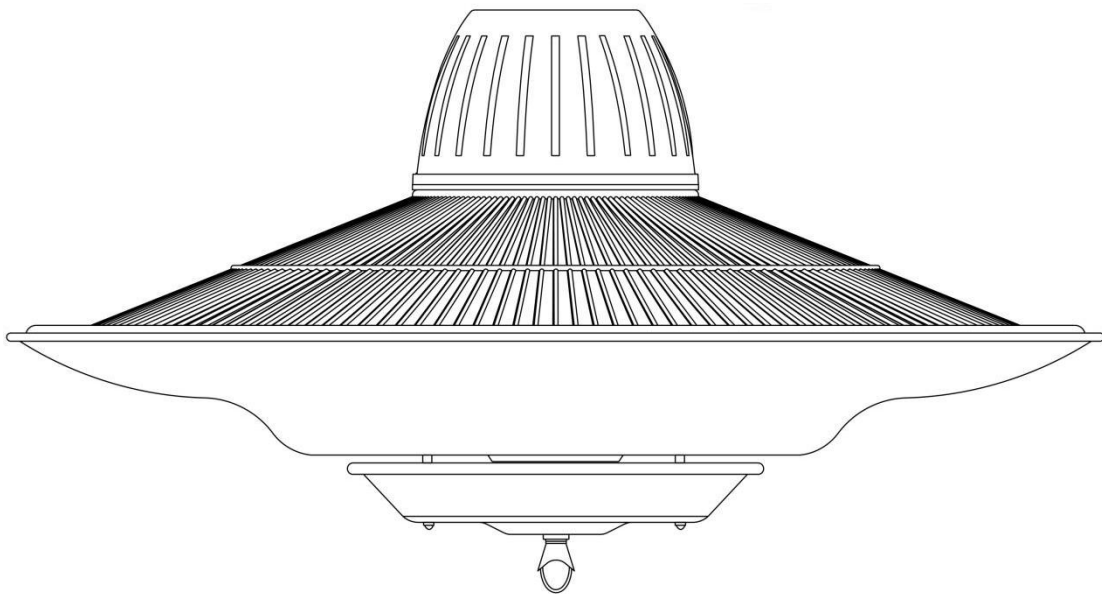


Any Questions? ✉ Support@trustechproducts.com

TRUSTECH

CEILING PATIO HEATER USER MANUAL

MODEL: WPH-15D



Thank you for choosing Trustech ceiling patio heater!
This user manual will provide you with valuable information necessary for the proper care and maintenance of your new product. Please take a few moments to thoroughly read it and start enjoying your warm winter!

Always here to help you

For any questions or help, please email us: Support@trustechproducts.com

INTRODUCTION

Please take a few minutes to read this manual carefully.

Proper maintenance and operation of this machine can provide better service.

WARNINGS

- Do not use the heater with a programmer, timer, separate remote-control system or any other device that switches the heater on automatically, since a fire risk exists if the heater is covered or positioned incorrectly.
- It's dangerous to install the appliance close to curtains and other combustible materials.
- Do not use the heater in reach of a shower, bath or a swimming pool.
- Heater is not located immediately below a socket-outlet
- If the supply cord is damaged, it must be replaced by the manufacturer, its service agent or a similarly qualified person in order to avoid a hazard.
- In order to avoid overheating, do not cover the heater.
- This appliance can be used by children aged from 8 years and above and persons with reduced physical, sensory or mental capabilities or lack of experience and knowledge if they have been given supervision or instruction concerning use of the appliance in a safe way and understand the hazards involved. children shall not play with the appliance. cleaning and user maintenance shall not be made by children unless they are older than 8 and supervised.
- Keep the appliance and its cord out of reach of children less than 8 years.
- **WARNING:** This heater is not equipped with a device to control the room temperature. Do not use this heater in small rooms when they are occupied by persons not capable of leaving the room on their own, unless constant supervision is provided
- Pay attention that, no combustible material due to Wind or other environmental influences covers or obstructs the appliance, such as curtains, marquees, flags, plastic foil etc.
- **CAUTION** — Some parts of this product can become very hot and cause burns. Particular attention has to be given where children and vulnerable people are present.

When using this electric unit, basic safety precautions should be followed to reduce the risk of fire, electric shock, and injury to persons, including the following:

- Read ALL instructions before using this unit.
- **CAUTION:** Risk of Electric Shock. DO NOT open or try to repair the heater yourself.
- This heater may get hot when in use. To avoid burns, DO NOT let bare skin touch hot surfaces. If provided, use handles when moving this heater.
- Keep combustible materials, such as furniture, pillows, bedding, paper, clothes, and curtains

at least 3 ft from the front of the heater and keep them away from the sides, top, and rear.
DO NOT place towels or other objects on the heater.

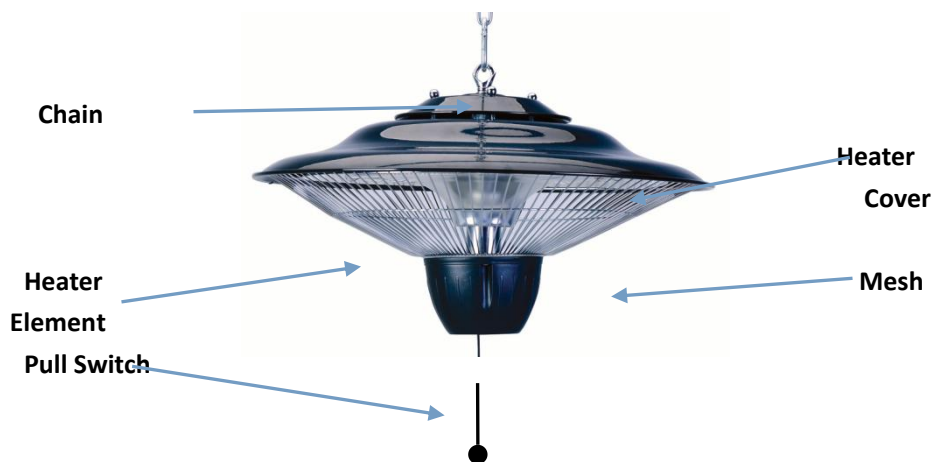
- Extreme caution is necessary when any heater is used by or near children or the disabled, or when the heater is left operating and unattended.
- DO NOT operate any heater with a damaged cord or after the heater malfunctions, has been drooped or damaged in any manner. Return heater to authorized service facility for examination, electrical or mechanical adjustment, or repair.
- This heater is not intended for use in bathrooms, laundry areas and similar indoor locations. NEVER locate heater where it may fall into a bathtub or other water container. To protect against electrical hazards, DO NOT immerse in water or other liquids.
- DO NOT touch the control panel with a wet hand.
- DO NOT run cord under carpeting. DO NOT cover cord with throw rugs, runners, or similar coverings. Arrange cord away from traffic area and where it will not be tripped over.
- DO NOT insert or allow foreign objects to enter any ventilation or exhaust opening as this may cause an electric shock or fire, or damage the heater.
- To prevent a possible fire, DO NOT blocks the air intakes or exhaust in any manner. DO NOT use on soft surfaces, like a bed, where openings may become blocked.
- A heater has hot and arcing or sparking parts inside. DO NOT use in areas where gasoline, paint, explosive and/or flammable liquids are used or stored. Keep unit away from heated surfaces and open flames.
- Avoid the use of an extension cord because the extension cord may overheat and cause a risk of fire. However, if you have to use an extension cord, the cord shall be 1.5m mm^2 minimum size.
- To disconnect heater, turn controls to OFF.
- Always turn off the unit before moving or cleaning, or whenever the heater is not in use.
- Use only for intended household use as described in this manual. Any other use not recommended by the manufacturer may cause fire, electric shock, or injury to persons. The use of attachments not recommended or sold by unauthorized dealers may cause hazards.
- WARNING: To reduce the risk of fire or electric shock, DO NOT use this unit with any solid-state speed control device.
- DO NOT attempt to repair or adjust any electrical or mechanical functions on this unit. Doing so will void your warranty. The inside of the unit contains no user serviceable parts. Qualified personnel should perform all servicing only.
- Connect to properly grounded outlets only.
- This appliance is not intended for use by persons (including children) with reduced physical. Sensory or mental capabilities, or lack of experience and knowledge, unless they have been given supervision or instruction concerning use of the appliance by a person responsible for their safety.
- Children should be supervised to ensure that they do not play with the appliance.
- The marketing concerning covering shall be visible after the heater has been installed.
- Save these instructions

Any Questions?  Support@trustechproducts.com

SPECIFICATION

Voltage Rating	120V(60Hz)
Power Consumption	1500W
Unit Size	16.5in(W)x16.5(D)x9.4in(H)
Unit Weight	3.8lbs

PRODUCT DIAGRAM



OPERATING INSTRUCTIONS

- A..Place the heater on a firm, level ceiling surface;
- B.The Hook on the ceiling hanging the Patio Heater must be able to undertake a weight 3 or 4 times that of the Patio Heater itself.
- C.Place the Hook around the Ceiling Hook and clip on any Ring of the Chain to adjust the height of the Patio Heater to the Floor.
- D.The distance between the bottom of the Patio Heater to the Floor must be over 1.8m, and the distance between heater and ceiling must be at least 30cm.
- E. These appliances must be supplied with proper voltage and frequency (120V, 60Hz), and connected to an individual, properly grounded branch circuit, protected by a circuit breaker which in accordance with wiring rules. power cord of this appliance must be fastened with the chain, installation can only be carried out by qualified person in order to avoid a hazard.
- F.Only operate the heater when it is in the upright position.Our Electric Patio Heater is equipped with One heat settings The switch on the heater head is used to control the One heat setting.for1500W, The 0 position is off. To operate the heater on high, push the Switch Cord again. This will cause both the bottom and top heating elements to glow and radiate heat.

Any Questions?  Support@trustechproducts.com

MAINTENANCE

- Turn off the circuit breaker before maintenance and let the unit cool completely.
- To keep the heater clean, the outer shell may be cleaned with a soft, damp cloth. You may use a mild detergent if necessary. After cleaning, dry the unit with a soft cloth.
- DO NOT use alcohol, gasoline, abrasive powders, furniture polish, or rough brushes to clean the heater. This may cause damage or deterioration to the surface of the heater.
- Although this heater is outdoor approved (Balconies and patios), DO NOT immerse the heater in water for your safety. Wait until the unit is completely dry before use.

TROUBLE SHOOTING

If the heater will not operate, please check the following before seeking repair of service:

- Check if electricity to the main fuse is working.
- Make certain the power switches are turned on. If not, choose a setting

STORAGE

If the heater will not be used for a long period of time, store it in a cool, dry location when not in use. To prevent dust and dirt build-up, use the original packaging to repack the unit.

Any Questions?  Support@trustechproducts.com

WARRANTY

TRUSTECH warrants this product against defects in materials and/or workmanship under normal use for a period of ONE (1) YEAR from the date of purchase by the original purchaser ("Warranty Period"). If a defect arises and a valid claim is received within the Warranty Period, at its option, TRUSTECH will either 1) repair the defect at no charge, using new or refurbished replacement parts, or 2) replace the product with a new product that is at least functionally equivalent to the original product, or provide a store credit in the amount of the purchase price of the original product. A replacement product or part, including a user-installable part installed in accordance with instructions provided by TRUSTECH, assumes the remaining warranty of the original product. When a product or part is exchanged, any replacement item becomes your property and the replaced item becomes TRUSTECH's property. When a store credit is given, the original product must be returned to TRUSTECH and becomes TRUSTECH's property. To obtain warranty service, e-mail TRUSTECH Limited Warranty Service at Support@trustechproducts.com. Please be prepared to describe the product that needs services and the nature of the problems.

This warranty does not apply to:

damage caused by failure to follow instructions relating to products' use or the installation of components;

damage caused by accident, abuse, misuse, fire, floods, earthquake or other external causes;

damage caused by service performed by anyone who is not a representative of TRUSTECH;

accessories used in conjunction with a covered product

a product or part that has been modified to alter functionality or capability;

items intended to be periodically replaced by the purchaser during the normal life of the product including, without limitation, batteries or light bulbs;

any product sold 'as is' including, without limitation, floor demonstration models and refurbished items; or


a product that is used commercially or for a commercial purpose.


Any Questions?  Support@trustechproducts.com

CONTACT US

Thank you for choosing TRUSTECH product.

If there is a defect arises during one year, please feel free to contact us to get your valid claim. To obtain warranty service, please your model and order of the product via:

 Support@trustechproducts.com

 +1 (855) 620 5858

Our usual response time is within 12 hours!

Scan to get vip service.



<https://trustech.afterservice.vip>

Questions or Problems?

Tell us
We are here
to help with
our lifetime professional
100% satisfied service
within 12 hrs.

 Support@trustechproducts.com