

22MM METAL ROUND ACTUATOR: EMERGEN.-STOP MUSHR.PUSHB.
 32MM LATCH.W. ROT.-TO-UNLATCH MECH. WITH HOLDER RED !!!
 Phased-out product !!! SIRIUS ACT 3SU1 is successor Preferred
 successor type is >>3SU1050-1GB20-0AA0 + 3SU1550-0AA10-0AA0<<

design of the product	Single device round with positive latching in accordance with ISO 13850
Enclosure	
number of command points	1
Actuator	
design of the actuating element	Emergency stop mushroom pushbutton
principle of operation of the actuating element	latching
product extension optional light source	No
color of the actuating element	red
material of the actuating element	plastic
outer diameter of the actuating element	32 mm
type of unlocking device	rotate-to-unlatch mechanism
number of switching positions	2
Front ring	
product component front ring	No
Holder	
material of the holder	Metal
General technical data	
product function	
• EMERGENCY OFF function	Yes
• EMERGENCY STOP function	Yes
protection class IP	IP67
vibration resistance acc. to IEC 60068-2-6	20 ... 200 Hz: 5g
operating frequency maximum	1 000 1/h
mechanical service life (switching cycles) typical	300 000
reference code acc. to IEC 81346-2	S
Substance Prohibitance (Date)	01.07.2006 00:00:00
Connections/ Terminals	
tightening torque of the screws in the bracket	1.4 ... 1.6 N·m
Safety related data	
B10 value with high demand rate acc. to SN 31920	100 000
proportion of dangerous failures	
• with low demand rate acc. to SN 31920	20 %
• with high demand rate acc. to SN 31920	20 %
failure rate [FIT] with low demand rate acc. to SN 31920	100 FIT
T1 value for proof test interval or service life acc. to IEC 61508	20 y
Ambient conditions	

ambient temperature	
<ul style="list-style-type: none"> during operation during storage 	-25 ... +70 °C -40 ... +80 °C
environmental category during operation acc. to IEC 60721	3K6

Installation/ mounting/ dimensions	
fastening method	front mounting
shape of the installation opening	round
mounting diameter	22 mm
mounting height	49 mm
installation width	32 mm
installation depth	29 mm

Certificates/ approvals		
General Product Approval	Functional Safety/Safety of Machinery	Declaration of Conformity



[Miscellaneous](#)



Test Certificates	Marine / Shipping
-------------------	-------------------

[Type Test Certificates/Test Report](#)



other	Railway
-------	---------

[Miscellaneous](#)

[Confirmation](#)

[Special Test Certificate](#)

Further information

Information- and Downloadcenter (Catalogs, Brochures,...)

<https://www.siemens.com/ic10>

Industry Mall (Online ordering system)

<https://mall.industry.siemens.com/mall/en/en/Catalog/product?mlfb=3SB3500-1FA20>

Cax online generator

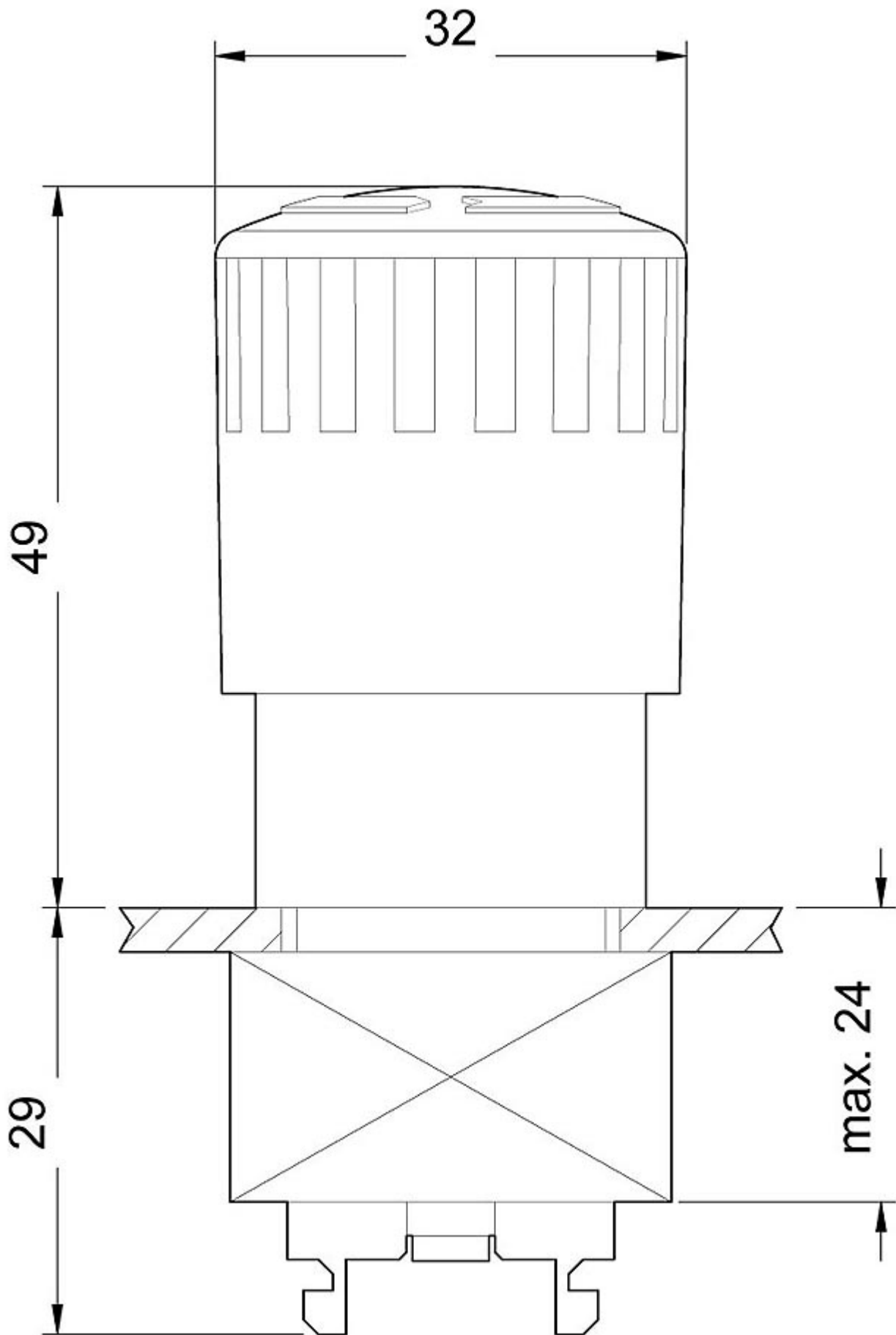
<http://support.automation.siemens.com/WW/CAXorder/default.aspx?lang=en&mlfb=3SB3500-1FA20>

Service&Support (Manuals, Certificates, Characteristics, FAQs,...)

<https://support.industry.siemens.com/cs/ww/en/ps/3SB3500-1FA20>

Image database (product images, 2D dimension drawings, 3D models, device circuit diagrams, EPLAN macros, ...)

http://www.automation.siemens.com/bilddb/cax_de.aspx?mlfb=3SB3500-1FA20&lang=en



last modified:

1/18/2021 