



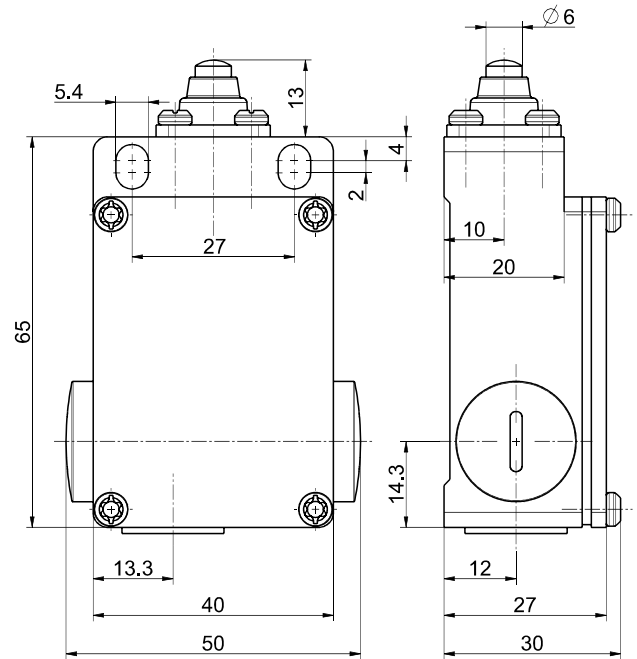
Position switch EM 41 W 1Ö/1S

Article no.: 1046376 (old article no.: 41102001)

Product features

- Metal enclosure
- 3 cable entries M16 x 1.5
- Actuator: Plunger with collar W
- Watertight collar for protection against penetration of dirt

Dimensions



Technical data

Applied standards

EN 60947-5-1

Enclosure

aluminium die-cast, powder-coated

Degree of protection

IP65 (IEC/EN 60529)

Contact material

silver

Switching system

snap action

Switching elements

1 NC/1 NO contact, type Zb

Connection

screw connection terminals

Cable cross-section

max. 2.5 mm² (incl. conductor ferrules)

Cable entry

3 x M16 x 1.5

Rated impulse withstand voltage U_{imp}

4 kV

Rated insulation voltage U_i

400 V

Conventional thermal current I_{the}

6 A

Utilisation category

AC-15

Rated operating current/voltage I_e/U_e

6 A/400 VAC

Short-circuit protection

6 A gG/gN fuse

Mechanical life

> 1 million operations

Actuating speed

max. 0.5 m/s with a vertical actuating angle of 0°

Operation cycles

max. 3600/h

Ambient temperature

-20 °C ... +80 °C

Repeat accuracy of switching points

± 0.1 mm

Approvals



Errors and omissions excepted.



Position switch

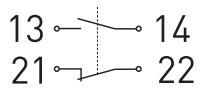
EM 41 W 1Ö/1S

Article no.: 1046376 (old article no.: 41102001)

Technical data (contd.)

Weight
146 g

Contact diagram



Switching diagram

