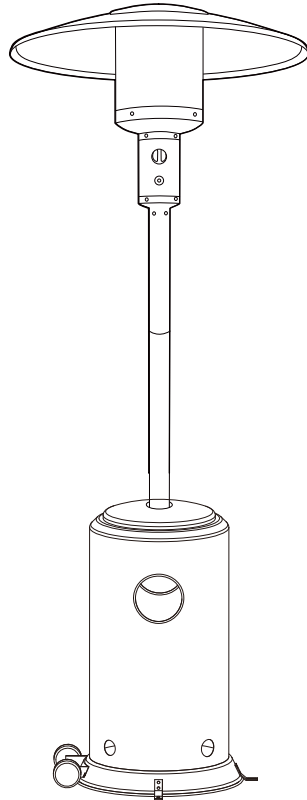


Patio Heater
Item No.: A306006402



WE HAVE YOU IN MIND, LET US SERVE YOU!

Questions? Issues?

CONTACT US

24 hours / 7 days a week



www.sunjoyonline.com



customer.care@sunjoygroup.com



Country of Origin: China

Production Number: xxxxxxxxxx

Table of Contents

Table of Contents	2	Leak Testing	15
Safety Information	2-3	Gas And Regulator	15
Pre-Assembly	4	Maintenance	16
Planning Assembly	4	Flame Characteristic	16
Hardware Included	4	Screw and Bolt Connections	16
Package Contents	5	Storage	16
Technical Data	6	Service	16
Assembly	7-12	Care & Cleaning	16
Operation	13-15	Troubleshooting	17

Safety Information



DANGER

If you smell gas:

1. Shut off gas to the appliance.
2. Extinguish any open flame.
3. If odor continues, keep away from the appliance and immediately call your gas supplier or fire department.



DANGER

Do not store or use gasoline or other flammable vapors and liquids in the vicinity of this or any other appliance.

An LP-cylinder not connected for use shall not be stored in the vicinity of this or any other appliance.



WARNING: For Outdoor Use Only.



WARNING: NEVER use indoors, in an enclosed area or below ground level.



WARNING: This appliance is intended for use with LP bottled gas only.



WARNING: Improper installation, adjustment, alteration, service or maintenance can cause property damage, injury or death. Read the installation, operating and maintenance instructions thoroughly before installing or servicing this equipment.



WARNING: Failure to read and follow these instructions could result in serious injury or damage to property.



WARNING: DO NOT move this product when in use.



WARNING: Any modification of this appliance may be dangerous.



WARNING: DO NOT use heater where the reflector is within 36 in. (91 m) of any flammable structure or surface.



WARNING: NEVER operate the heater with the top half covered (burner head, reflector, etc.).



WARNING: DO NOT leave this product unattended when in use.



WARNING: Always keep the cylinder level and vertical when positioning inside the base.

Safety Information (continued)



WARNING: ONLY use this appliance on a flat LEVEL non flammable surface or ground.



WARNING: When positioning, ensure the unit is a minimum of 40 in. (1 m) from flammable items or structure from all sides and above.



WARNING: Always leak test the unit before use, annually, or after storage, when parts are replaced/serviced or if the gas cylinder is removed or replaced.



WARNING: When storing the appliance or gas cylinder, ensure they are away from flammable materials or liquids.



WARNING: Regularly check that the regulator seal and hose is fitted and that it is in good condition. Replace parts if necessary.



WARNING: Always follow the care and maintenance instructions – regularly maintain your appliance.



WARNING: Always replace worn parts – do not use the appliance if a leak, wear, or damage is found.



WARNING: DO NOT store or cover the appliance until fully cooled.



WARNING: Always shut off the valve at the gas cylinder or the regulator before moving the appliance.



WARNING: In the event of high winds particular attention must be taken. Store the unit away or ensure it is at a safe distance from other items in the event that the unit is blown over.



WARNING: Only use with gazebo's specifically designed to be used with patio heaters.



WARNING: It is normal for the heater to smoke during the first few minutes of use.



WARNING: If you smell gas – turn off the appliance and extinguish all flames. If the odor continues, immediately contact your gas supplier.



WARNING: In the event of an uncontrollable fire, immediately disconnect the gas cylinder moving it away from fire and contact the fire services. DO NOT PUT YOURSELF AT RISK!



WARNING: Ensure aerosols are not used near this unit when in use.



WARNING: Ensure all packaging and plastic bags are disposed of safely.



WARNING: Ensure the heater is at a safe distance from glass and PVC doors and windows to stop damage from any heat build up.



WARNING: Read the warnings and use instructions before operation.



WARNING: Do not leave the heat focusing reflector of the patio heater in the tilt position during rain or windy conditions or when the patio heater is not in use or unattended. Always position the heat focusing reflector in the full down position when not in use or during windy or rainy conditions.



WARNING: FUELS USED IN LIQUEFIED PROPANE GAS APPLIANCES, AND THE PRODUCTS OF COMBUSTION OF SUCH FUELS, CAN EXPOSE YOU TO CHEMICALS INCLUDING BENZENE, WHICH IS KNOWN TO THE STATE OF CALIFORNIA TO CAUSE CANCER AND CAUSE BIRTH DEFECTS OR OTHER REPRODUCTIVE HARM. For more information go to: www.P65Warnings.ca.gov.



WARNING: This appliance features a flame failure and tilt device. In the event of a wind blowing the flame out or the unit being tipped over, the gas supply will be cut off from the cylinder. In this event, the knobs should be set to off and you should wait 5 minutes before re-lighting.



WARNING: This product will become hot when in use – take care when touching.



WARNING: Keep children and pets at a safe distance from the unit when in use.





NOTE: THESE INSTRUCTIONS ARE FOR YOUR SAFETY. PLEASE READ THEM THOROUGHLY BEFORE USE AND RETAIN THEM FOR FUTURE REFERENCE.


Pre-Assembly


PLANNING ASSEMBLY

Before You Start, check the contents of the box and make sure you have all the parts and fittings listed. When you are ready to start, make sure that you have the right tools at hand, plenty of space and a clean dry area for assembly.


 **WARNING:** While every precaution has been made in the manufacture of this product, care must be taken during assembly in case sharp edges are present.

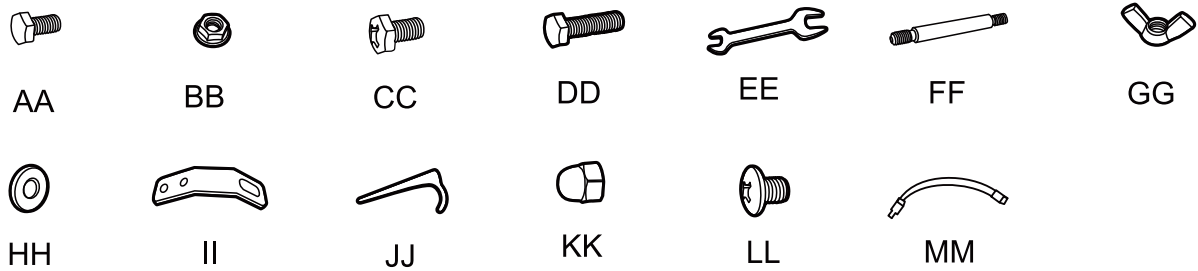
 **NOTE:** Please lay out all nuts and bolts and check lengths before assembly.

 **NOTE:** It is recommended that the carton is cut open and spread out on the floor and used as a protective surface during assembly.

 **NOTE:** Refer to the assembly diagrams as necessary.

HARDWARE INCLUDED

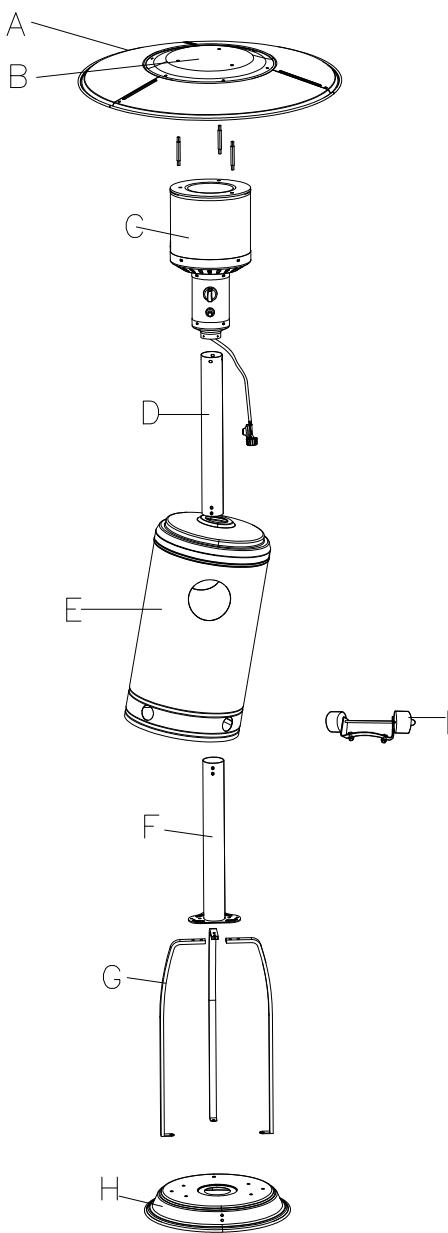
 **NOTE:** Hardware not shown to actual size.



Item	Part Number	Description	Qty
AA	H010010011	M6x12 Bolt	8+1 (2 Pre-assembled)
BB	H040020007	M6 Nut	14+1 (2 Pre-assembled)
CC	H010020267	M8x15 Bolt	3+1
DD	H010010085	M6x22 Bolt	6+1
EE	H090020002	M6/M8 Wrench	1
FF	H020060001	M8x63 Reflector Stud	3+1
GG	H040030005	M8 Wing Nut	3+1
HH	H050010038	M8 Washer	6+1
II	P000500677	Anchoring Arm	3
JJ	H070010024	Anchoring Nut	3
KK	H040040016	M6 Cap Nut	9+1
LL	H010110070	M6x8 Small Screw	9+1
MM	P002200326	Webbing	1

Pre-Assembly (continued)

PACKAGE CONTENTS



Item	Part Number	Description	Qty
A	P003100111	Reflector Panel	3
B	P000900145	Center Reflector	1
C	P007900143	Head Assembly	1
D	P000200577	Post	1
E	P006900044	Tank Housing	1
F	P000200578	Post Support	1

Part	Part Number	Description	Qty
G	P005400543	Support Legs	3
H	P000100239	Base	1
I	P003300009	Wheel Assembly	1

Pre-Assembly (continued)

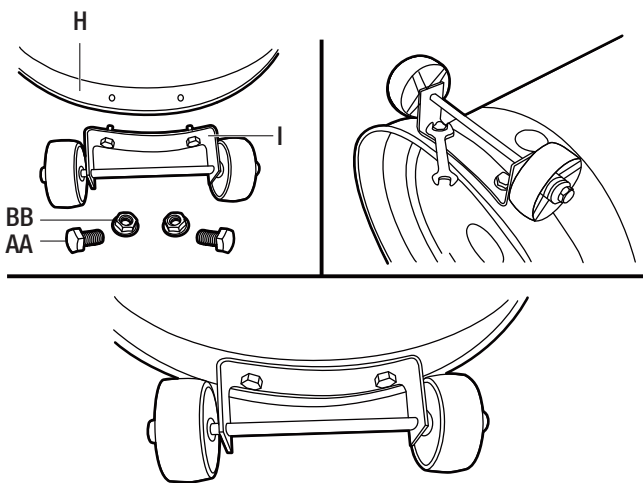
TECHNICAL DATA

Overall Height	88 in. approx.
Overall Weight	35.2 lbs
Overall Width	30 in.
Heater Heat Input (-Qn)	47,000 Btu/h
Heater Gas Consumption	1.77 Lbs per hour
Heater Injector Size	0.0778 in.
Setting Pressure	11.0 in. per W.C
Regulator Outlet Pressure	11.0 in. per W.C
Standard	ANSI Z83.26-2014 Gas Fired Outdoor infrared Patio heaters
Gas Supply Pressure	Max. 150 PSI, MIN.5 PSI

Assembly

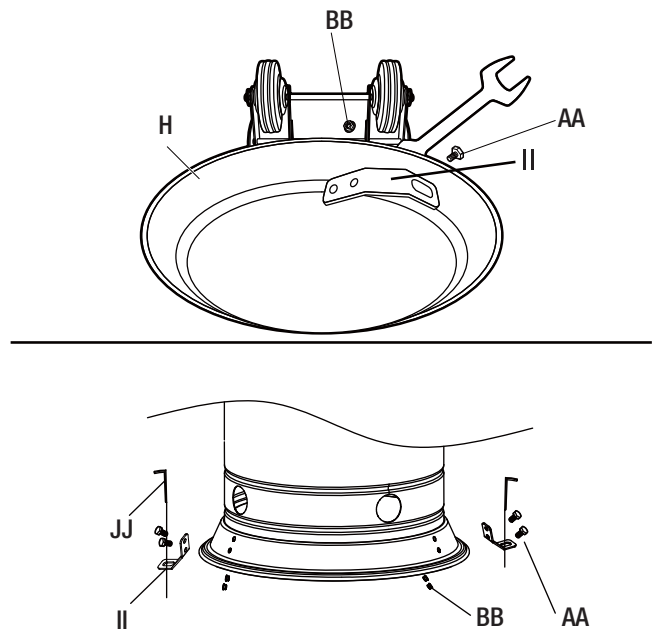
1 Attach wheel assembly to base

- Remove pre-assembled two M6x12 bolts (AA) and two M6 nuts (BB) from wheel assembly (I).
Align the holes in the wheel assembly (I) with the holes in the base (H), and attach the wheel assembly to the base using two M6x12 bolts (AA) and two M6 nuts (BB).



2 Attach ground fixtures to base

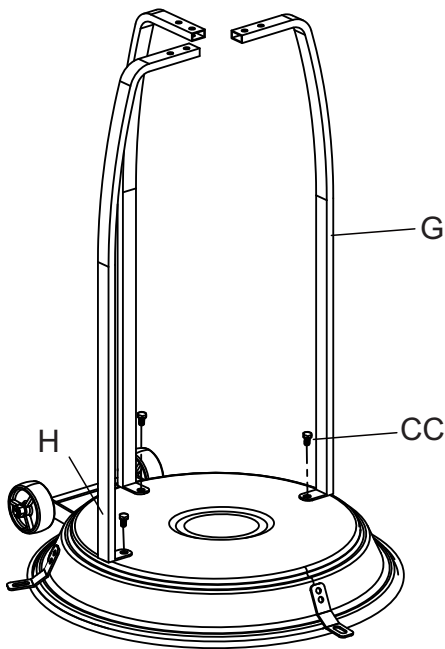
- Mount the three anchoring arms (II) to the holes on the base (H) using six M6x12 bolts (AA) and six M6 nuts (BB).
- The patio heater need fix by hammering the three anchoring nuts (JJ) into the ground through the anchoring arms after assembly.



Assembly (continued)

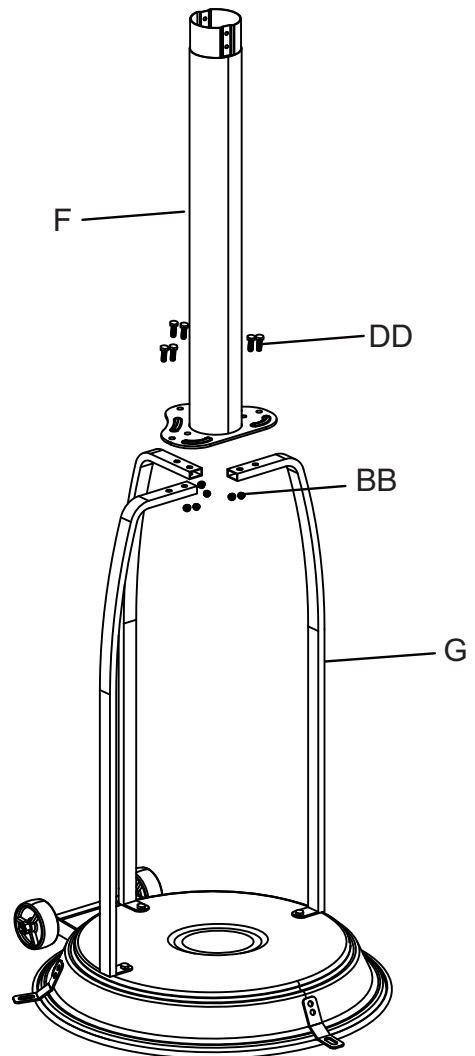
3 Attach support legs to base

- Attach the three support legs (G) to the top of the base (H) using three M8 bolts (CC).



4 Attach post support to the support legs

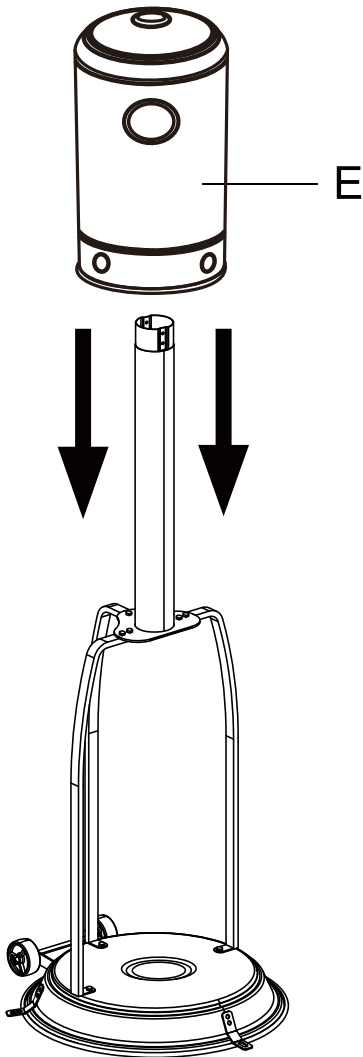
- Attach the post support (F) to the top of the support legs (G) using six M6 x 22 bolts (DD) and six M6 nuts (BB).



Assembly (continued)

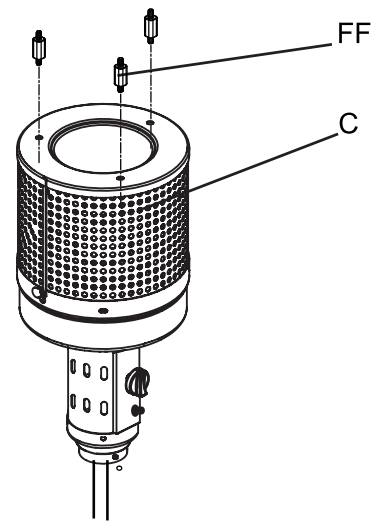
5 Place the tank housing

- Place the tank housing (E) on top of the assembly.



6 Attach reflector studs to head assembly

- Screw the threaded end of the reflector studs (FF) into the top holes of the head assembly (C).



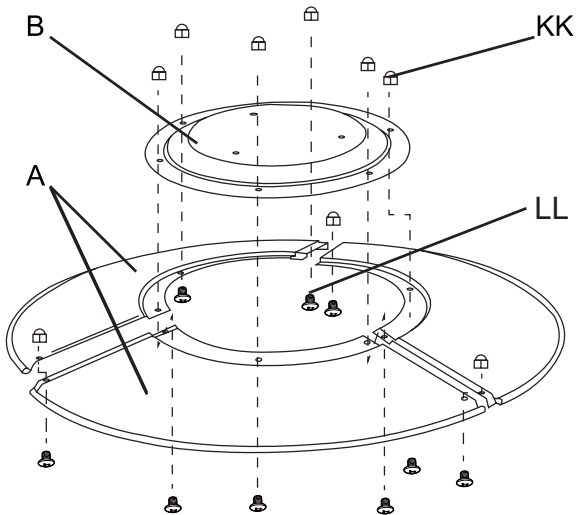
Assembly (continued)

7 Install reflector



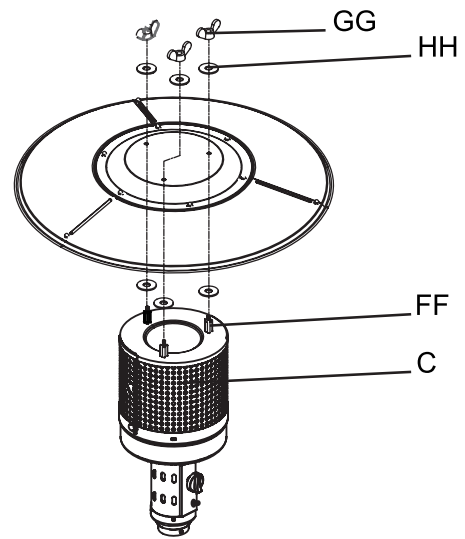
WARNING: Remove plastic protective coating on the reflector panel (A) and center the reflector (B) before assembling!

- Slide two reflector panels (A) together and assemble the outer rim using one small screw (LL) and one cap nut (KK). Repeat this step with the third reflector panel (A). Once completed place the center reflector (B) in the middle and fasten using three small screws (LL) and three cap nuts (KK).
- Tighten all screws tightly.



8 Attach the reflector to the head assembly

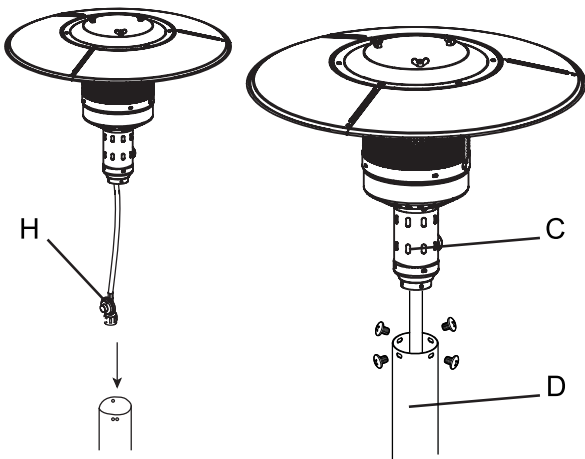
- Attach the reflector assembly made in step 7 to the top of the reflector studs (FF) on the head assembly (C). Fasten with six flat washers (HH) and three wing nuts (GG).



Assembly (continued)

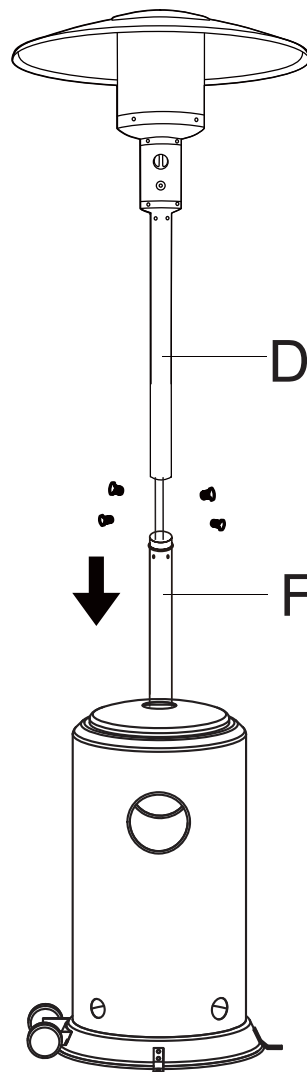
9 Attach head assembly to post

- Unscrew the four screws that are preassembled on the head assembly (C). Place the head assembly (C) into the top of the post (D) by inserting the regulator (H) into the post (D). Tightly fasten the previously removed screws back into the head assembly (C) through the slots at the top of the post (D).



10 Attach post to the post support

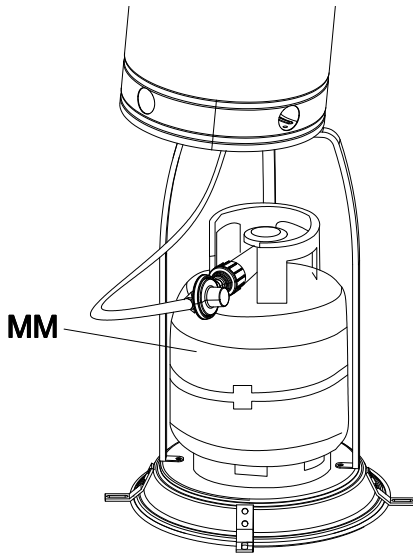
- Remove the preassembled screws from the post support (F) and attach the post (D) to the post support (F) using those four screws.



Assembly (continued)

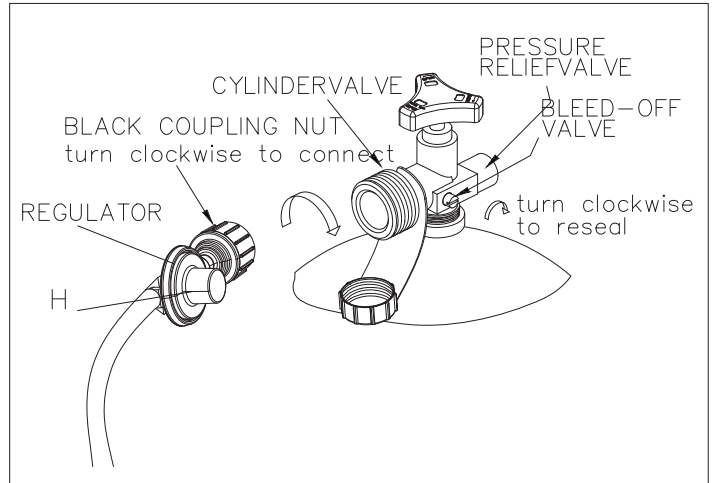
11 Place the gas cylinder in the base

- Place the 20 lb gas cylinder in the center of the base and fasten it with the webbing (MM).



12 Attach the regulator to the cylinder valve

- Turn the cylinder valve on the tank clockwise to close the propane tank. Attach the regulator (H) to the cylinder valve by turning the regulator coupling nut clockwise. Make sure it is fastened securely and tighten connections by hand only.



Operation

- Before performing a leak test, be sure that no sparks can occur and you are in a spacious outdoor area. Connect the propane gas tank to the regulator and turn the valve on the unit to the "off" position. Brush a soap and water mixture on all connections. Turn the gas supply on; if bubbles occur on any connection there may be a leak. If you smell gas or a leak is discovered turn the gas valve off, disconnect propane gas tank and do not use the appliance until the leak is repaired.
- Do not use the heating unit without inspecting the gas hose. If there are signs of wear or abrasion you must replace the hose (if applicable).

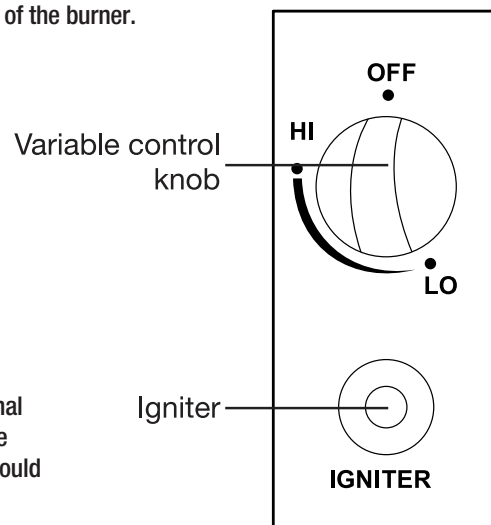
To Light

1. Turn on the valve on the gas supply cylinder.
2. Press and turn the variable control knob to the 'HI' position.
3. Press down the variable control knob and hold for 5 seconds.
4. While holding down the variable control knob, press the igniter button several times until the burner head flame ignites. Release the variable control knob 10 seconds after the ignition.
5. If a new tank has just been connected, allow at least one minute or more for the air in the gas pipeline to purge out.
6. The flame can be watched and checked from the viewing hole located on the base of the burner.
7. Turn the variable control knob to the 'LO' position for 5 minutes or more before turning the knob to desired temperature setting.
If a small flame is needed, turn the variable control knob to the 'LO' position.
8. If the burner flame goes out accidentally or it is blown out by wind, turn off the heater and wait at least 5 minutes or more to let the gas dissipate before lighting again to avoid possible gas explosion. Repeat steps 2 through 4.

When lit for the first time the heater may emit a slight odor and smoke. This is a normal and temporary condition. Emitter screen will become a bright red due to the heat. The color is more visible at night. Flame patterns should be a blue flame; these flames should not be yellow in color; indicating an obstruction of airflow through the burners.

TO EXTINGUISH

1. Turn control knob clockwise to the off" position.
2. Close the cylinder valve on the propane gas tank if you don't intend to use it for a long time.



Operation (continued)

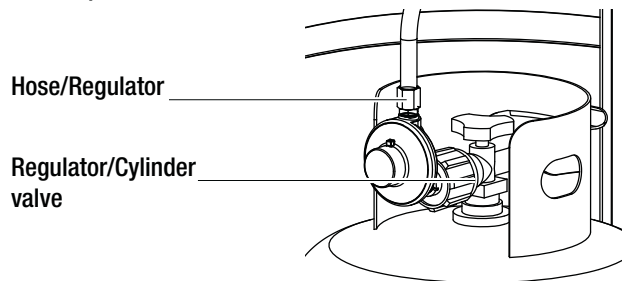
- Before performing any maintenance always disconnect propane gas tank.
- Keep the heating item free and clear from combustible materials.
- Visually inspect burner for obstructions and keep tank enclosure free and clear from debris. Use a soft brush to get rid of mild stains, loose dirt and soil after the burner is completely cooled down. Wipe down with a soft cloth.
- Harsh weather conditions may cause stubborn stains, discoloration and possibly rust pitting.
- Permanent damage may occur if powder or solvent comes in contact with painted or plastic components on this heating unit.
- Keep the heating unit stored away from direct sunlight.
- If storing this unit inside, disconnect the propane gas tank from the gas valve.
- Not using manufacturer approved or supplied parts/accessories may result in a defective condition and void the warranty of this heating unit.
- Always place lid (if applicable) or protective cover on heating item when not in use.

Operation (continued)

LEAK TESTING

Your patio heater has been checked at all factory connections for leakage. To check the connection at the gas hose/regulator/cylinder:

- Ensure you are in a well ventilated area.
- Confirm all control knobs are in the off position.
- Open the gas control valve on the bottle.
- Check for leaks by brushing a solution of 50% water and 50% dish soap over the gas system joints, including all valve connections, hose connections and regulator connections.
- NEVER USE AN OPEN FLAME to test for leaks at any time.
- If bubbles form over any of the joints, there is a leak.
- Turn off the gas supply and retighten all joints.
- Repeat test. If bubbles form again, do not use the patio heater. Please contact the helpline stated in this manual.
- Leak test annually and whenever the gas bottle is removed or replaced.



GAS AND REGULATOR

- The gas hose must be connected in accordance with these instructions. When installed correctly all parts of the hose should be contained within the patio heater pole and gas cylinder chamber. No part of the hose should be outside of the patio heater body where it could be a trip hazard or could be accidentally damaged.
- This appliance is for propane use only.
- See instructions supplied with the regulator for correct use and attachment.
- Gas bottles should never be stored on their side.
- Never store gas bottles indoors.
- This appliance is supplied with a propane regulator which must only be used for propane gas.
- NEVER use an adjustable regulator with this appliance.
- Please consult your gas dealer for the most suitable gas bottles for your regulator.

Maintenance

FLAME CHARACTERISTIC

- The flame pattern at the burner mesh should be visually checked whenever the heater is operated.
- Normally, the burner flame is blue with yellow flame at the top. The burner mesh will become red hot.
- If flames extend beyond the surface of the burner mesh, or there is the phenomena of flame lift or light back, or a black spot is accumulating on the burner mesh or reflector, the heater should be turned off immediately.
- The heater should not be operated again until the unit is serviced or repaired.

SCREW AND BOLT CONNECTIONS

- All screws and bolts, etc, should be checked and tightened on a regular basis.



STORAGE

- Do not leave the patio heater exposed to outside weather conditions or stored in damp moist conditions.
- To save space during long-term storage, the reflector can be removed. Take care to ensure the shape of the reflector is not damaged or deformed, as this will affect performance.
- When using the heater after extended periods of storage, re-attach the reflector.
- The heater should never be operated without the reflector in place.
- If the heater is to be stored indoors, the gas bottle must be disconnected and left outside in a dry, well-ventilated area, away from any sources of heat or ignition.
- Do not let children tamper with the bottle.

SERVICE

- We recommend that servicing of this appliance should be performed either after every 100 hours of use or annually, whichever is achieved soonest.
- If your heater needs maintenance or is not working properly, please contact your local authorized agent for service.
- It is a necessity to contact an authorized source for replacement of parts and/or servicing.
- This work must be carried out by a qualified gas technician.



Care & Cleaning

- Regularly clean your patio heater between uses and especially after extended periods of storage.
- Ensure the heater control is turned fully to the off position, the gas supply is shut off at the regulator or bottle / cylinder valve, and the heater and its components are sufficiently cool before cleaning.
- Never douse the heater with water when its surfaces are hot.

Troubleshooting

Problem	Cause	Solution
The burner will not light.	The burner injector is clogged.	Clean the burner injector.
	There is low gas supply pressure.	Call your gas supplier.
The burner flame goes off immediately after ignition.	There is low gas pressure.	Call your gas supplier.
The ignition is delayed.	The main burner carryover ports are clogged.	Clean the main burner ports.
	There is low gas pressure.	Call your gas supplier.
The combustion on the burner is inadequate.	There is not enough air.	Check the air passageways and burners for dirt and debris, and clean with compressed air.
The burner flame is low.	The supply hose is bent or twisted.	Straighten the hose and perform a leak test.
	There is blockage in the burner injector.	Clean or replace the burner injector.
The emitter glows uneven.	There is blockage in the burner injector.	Clean or replace the burner injector.
	The base is not on a level surface.	Place the heater on a level surface.
	The gas pressure is low.	Replace the cylinder with a new cylinder.
There is slight smoke and odor during initial operation.	This is residue from the manufacturing process.	This will stop after approximately 30 minutes of operation.
There is thick black smoke.	There is blockage in the burner.	Turn off the heater and let it cool Remove the blockage and clean the inside and outside of the burner.
The heater produces a whistling noise when the burner is lit.	Air passageways are blocked.	Check the minimum installation clearances and air passageways for debris.
	There is air in the gas line.	Operate the burner until the air is completely purged.
The heater produces a clicking noise just after the burner is lit or turned off.	The metal is expanding and contracting.	This is common with heaters. If noise is excessive, contact a qualified service person.
There is a gas odor even when the control knob is in the OFF position.	There is a gas leak.	Locate and correct the leak immediately.
	The gas control is defective.	Replace the gas control.
There is a gas odor during combustion.	There is foreign matter in the gas or on the burner ports.	Check the gas passageway and burner.
	The heater is burning vapors from paint or impurities in the air.	Stop storing and using odor causing products near the heater.
	There is gas leaking from the regulator and hose connection, the valve and pipe connections, and the pipes.	Locate and correct the leaks, or contact your gas supplier.
There is carbon build-up.	There is dirt or film on the reflector and flame screen.	Clean the reflector and flame screen.