

PRODUCT DATA SHEET



PART NUMBER – BLC1F630L7: BRAH Electric, aftermarket direct replacement contactors for Telemecanique LC1F630L7, TeSys F Series, type LC1F, 3P, 3PH, 1000A, 600V, 300HP @ 240V, 600HP @ 480V, 800HP @ 600V, complete with 208V AC coil, AC magnetic contactor, suitable for use with LC1-F series motor control systems

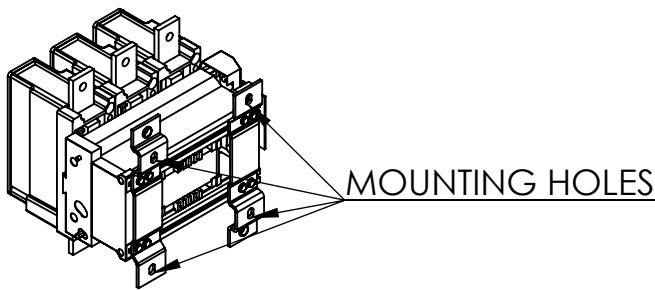
MAGNETIC CONTACTOR
PART NO. BLC1F630L7

PRODUCT SPECIFICATIONS

<i>TYPE</i>	<i>VALUE (UNITS)</i>	<i>NOTES</i>	<i>COMMENTS</i>
<i>PHASE</i>	3		
<i>POLES</i>	3		
<i>VOLTAGE</i>	600 (VAC)		
<i>AMPERAGE</i>	1000 (A)		
<i>COIL VOLTAGE MIN</i>	208 (V)		
<i>COIL VOLTAGE MAX</i>	208 (V)		
<i>MIN HP. RATING</i>	300 (HP)	@ 240V	
<i>MAX HP RATING</i>	800 (HP)	@ 600V	

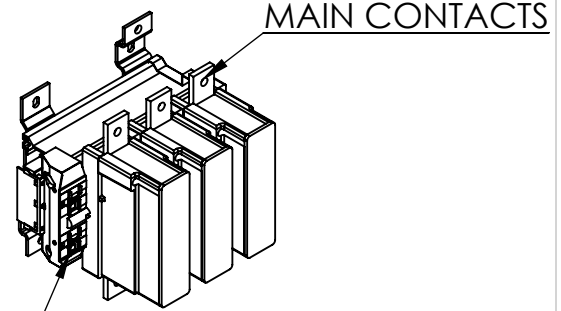
Warranty: All Products sold by BRAH Electric are guaranteed to be free of defect for a period of one year, under the condition that the product has been installed and operated properly. All items proven defective within the one year period will be replaced by BRAH Electric. In the event that we cannot provide a direct replacement, your monies will be refunded in full. We are not responsible for any consequential losses or damages outside of the defective product as well as any replacements or repairs performed by another party without our written authorization from BRAH Electric.

REVISIONS				
ZONE	REV.	DESCRIPTION	DATE	APPROVED



ISO VIEW

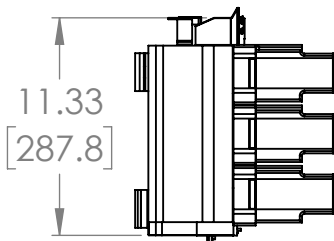
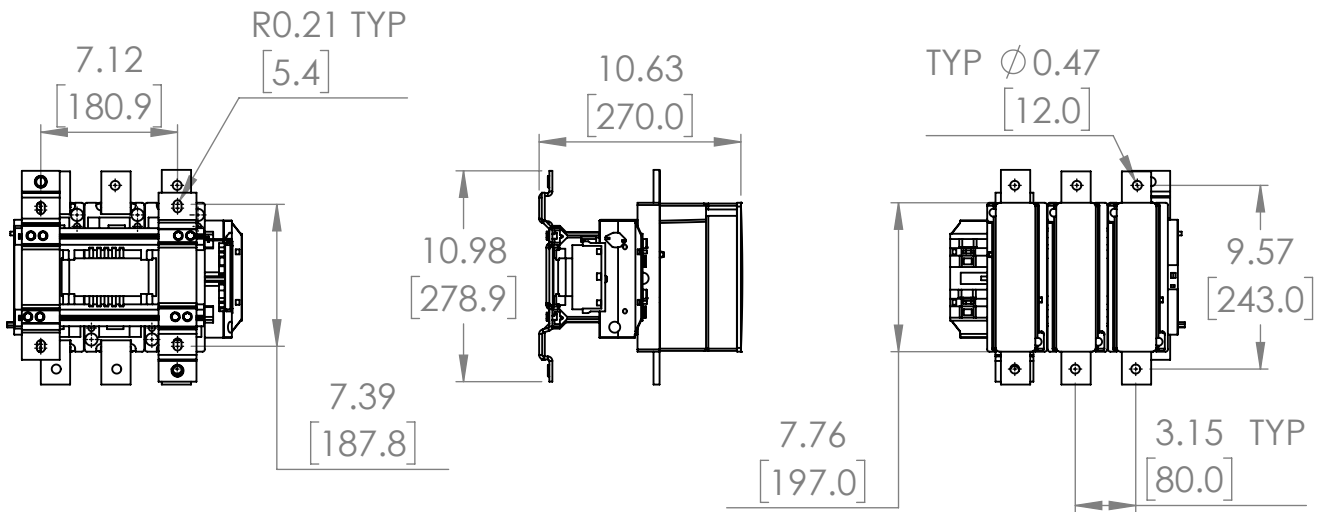
MOUNTING HOLES



ISO VIEW

MAIN CONTACTS

STOPS FOR ATTACHING FRONT MOUNTED ACCESSORIES



WWW.BRAHELECTRIC.COM, 855-355-2724

*NOTE: BRAH ELECTRIC CONTACTOR BLC1F630L7 IS AN AFTERMARKET DIRECT REPLACEMENT FOR LC1F630L7 LC1-F SERIES. SUITABLE FOR USE WITH LC1-F SERIES MOTOR CONTROL SYSTEMS

<p>THIRD ANGLE PROJECTION</p>	<p>UNLESS OTHERWISE NOTED</p> <p>ALL DIMENSIONS ARE IN INCHES METRIC UNITS ARE DISPLAYED BENEATH IN [MM.]</p>	
	<p>PROPRIETARY AND CONFIDENTIAL</p> <p>THE INFORMATION CONTAINED IN THIS DRAWING IS THE SOLE PROPERTY OF BRAH ELECTRIC. ANY REPRODUCTION IN PART OR AS A WHOLE WITHOUT THE WRITTEN PERMISSION OF BRAH ELECTRIC IS PROHIBITED.</p>	
<p>MATERIAL MOLDED PLASTIC CASE</p>	<p>FINISH N/A</p>	<p>SIZE A DWG. NO. BLC1F630L7 REV. A</p>
<p>DO NOT SCALE DRAWING</p>	<p>SCALE: 1:10</p>	<p>WEIGHT: 3.2 LBS SHEET 1 OF 1</p>