



FORTE™

LED Wall Pack



Beyond LED's FORTE wall pack is the newest, most innovative and feature rich product of 2023. It offers 4 Adjustable wattages and 3 Adjustable CCT with energy-efficient LED technology. FORTE comes with Built-in photocell. FORTE luminaires comes with die cast aluminum housing and glass lens to stand up for many years of punishing environmental conditions.

Product Features

- Up to 130-150 Lumens per watt
- Adjustable Wattages
- Adjustable CCT 3000K/4000K/5000K
- High efficiency Lumileds 2835
- IP65 Rated
- 0-10V Dimmable
- Glass Diffuser
- Built-in Photocell
- Input voltage 120-277VAC
- UL & DLC Listed
- 5 Year warranty

FORTE™

LED Wall Pack



SKU #	Model #	Wattage Adjustable	Lumens	CCT Adjustable	IP	Housing	Input Voltage	Certifications
156703	BLT-WP09-120L-CSP-3CCT	30W/60W/90W 120W	Max 15600Lm	3K/4K/5K	IP65	Bronze	120-277V	UL & DLC
156994	WP09A-18-150L-S2D4C3	80W/100W/120W 150W	Max 22500Lm	3K/4K/5K	IP65	Bronze	120-277V	UL & DLC

SKU: 156703

Specifications

Parameter	Description	Value
General Performance	Model #	BLT-WP09-120L-CSP-3CCT
	Wattage Adjustable	80W / 100W / 120W / 150W
	Lumen	18000Lm
	Lumen Efficacy	130LM/W @ 4000K
	Color Temperature	3000K / 4000K / 5000K
	CRI (Ra)	>80
	Beam Angle	102° Degree
	Diffuser Type	Glass Lens
Electrical	Input Voltage	120-277Vac
	Frequency	50/60Hz
	Dimming	0-10V
	Power Factor	≥0.95
	Driver Surge Protection	L-N: 2KV, L/N-PE: 4KV
	Driver Brand	BQ
	Driver Model	BQE120A-130
	Flicker Percent	≤30%
Physical	Operating Temperature	-30°C To 45°C
	Operating Humidity	5%RH To 95%RH
	Storage Temperature	-40°C To 80°C
	Storage Humidity	5%RH To 95%RH
	LED Brand	LUMILEDS
	LED Type	SMD2835
	LED QTY	392 PCS
	IP Rating	IP65
Qualification	Housing	Die-cast Aluminum
	Housing Color	Bronze
	Warranty	5 Year



FORTE™

LED Wall Pack

SKU: 156994

Specifications

Parameter	Description	Value
General Performance	Model #	WP09A-18-150L-S2D4C3
	Wattage Adjustable	80W / 100W / 120W / 150W
	Lumen	22500LM
	Lumen Efficacy	Up to 150LM/W
	Color Temperature	3000K / 4000K / 5000K
	CRI (Ra)	>80
	Beam Angle	100° Degree (Type IV)
	Diffuser Type	Glass Lens
Electrical	Input Voltage	120-277Vac
	Frequency	50/60Hz
	Dimming	0-10V
	Power Factor	≥0.90
	Driver Surge Protection	L/N 6KV, L/N-P 6KV
	Driver Brand	Sosen
	Driver Model	SS-160NH
	Flicker Percent	≤30%
Physical	Operating Temperature	-40°C To 45°C
	Operating Humidity	5%RH To 95%RH
	Storage Temperature	-40°C To 90°C
	Storage Humidity	5%RH To 95%RH
	LED Brand	LUMILEDS
	LED Type	SMD2835
	LED QTY	624 Pcs
	IP Rating	IP65
Qualification	Housing	Die-cast Aluminum
	Housing Color	Bronze
	Warranty	5 Year

FORTE™

LED Wall Pack



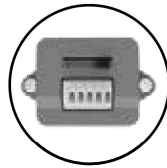
SKU: 156703

Product Features

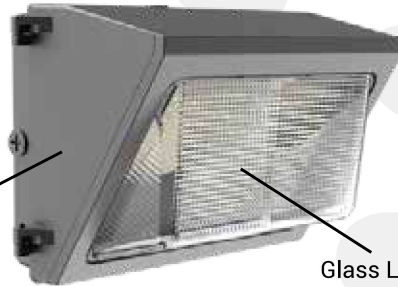
Screw-in
Photocell Sensor Optional



Integrated Photocell
Sensor Optional



DIP Switch - 3 CCT & 4 Wattages Adjustable
(3000K/4000K/5000K Adjustable)



Glass Lens



Screw-in Microwave
Motion Sensor Optional

LED WALL PACK

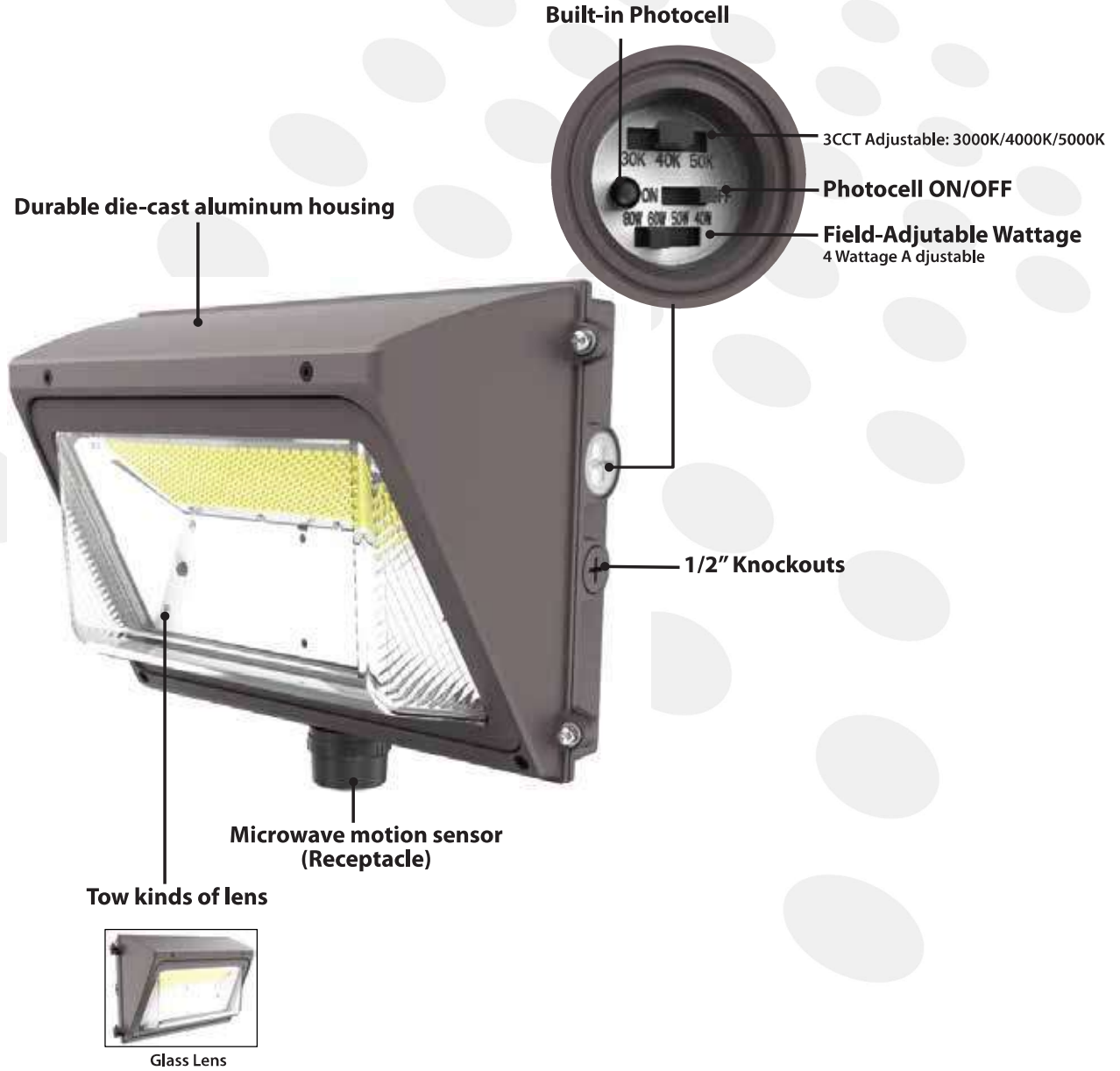


FORTE™

LED Wall Pack

SKU: 156994

Product Features



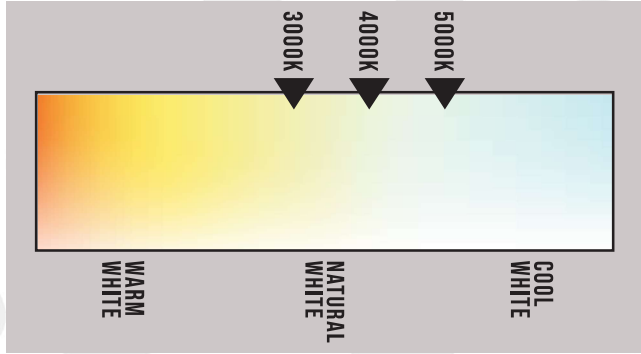
LED WALL PACK

FORTE™

LED Wall Pack

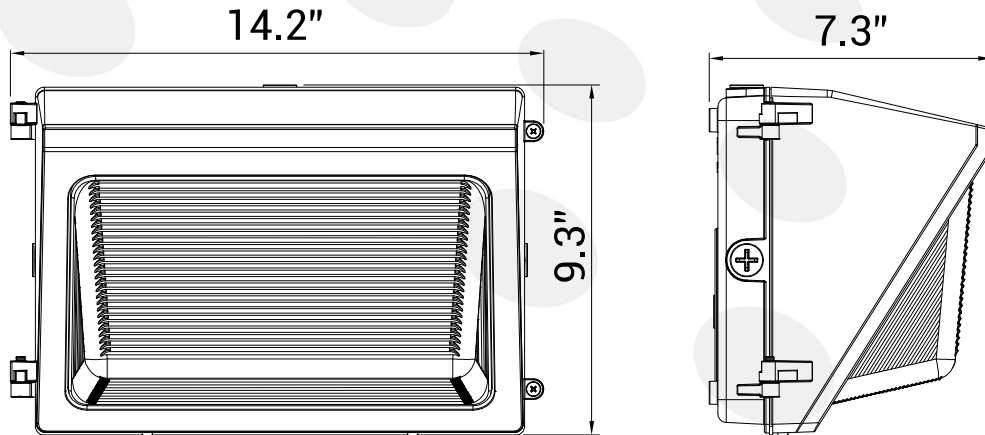


Correlated Color Temperature (CCT)

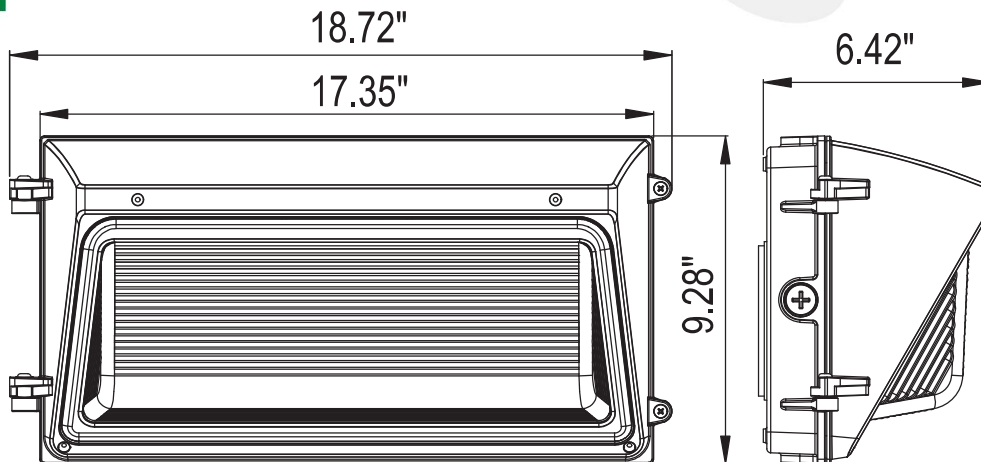


Dimension

SKU: 156703



SKU: 156994



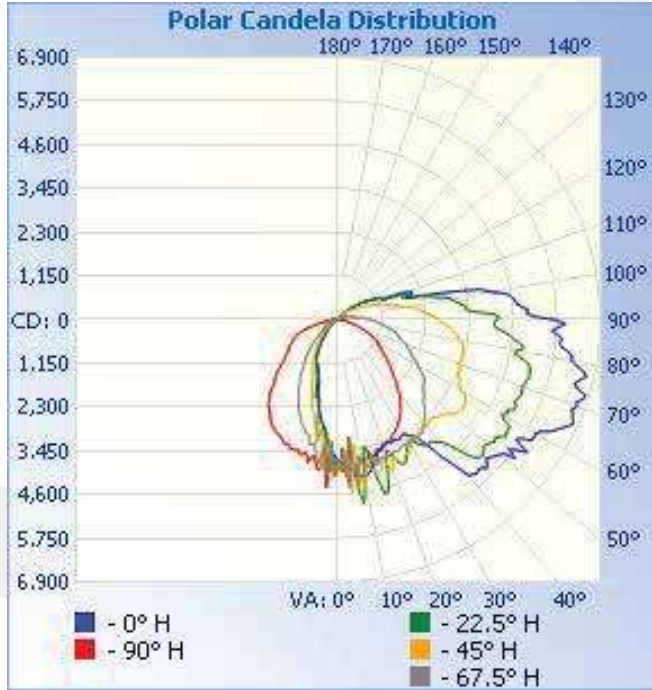


FORTE™

LED Wall Pack

SKU: 156703

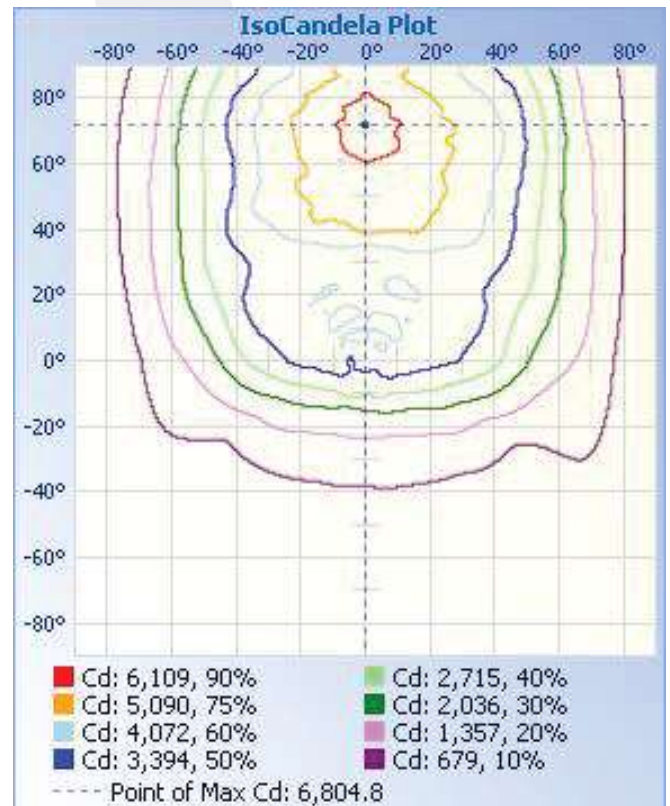
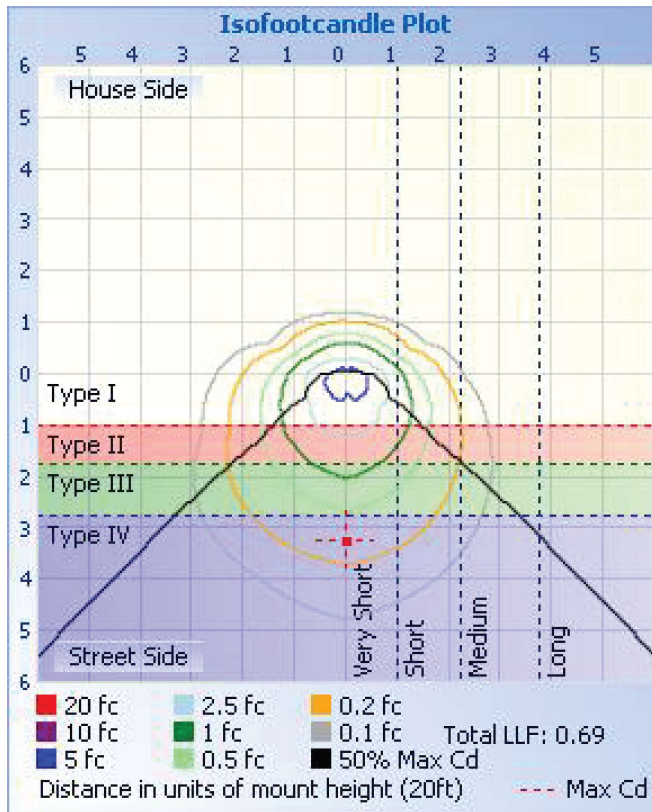
Photometric Data



Illuminance at a Distance

	Center Beam fc	Beam Width	
4.0ft	231.0 fc	10.7 ft	8.3 ft
8.0ft	57.8 fc	21.3 ft	16.6 ft
12.0ft	25.7 fc	32.0 ft	24.8 ft
16.0ft	14.4 fc	42.7 ft	33.1 ft
20.0ft	9.2 fc	53.4 ft	41.4 ft

■ Vert. Spread: 106.3°
■ Horiz. Spread: 92.0°



LED WALL PACK

FORTE™

LED Wall Pack



Installation

IMPORTANT CAUTION:

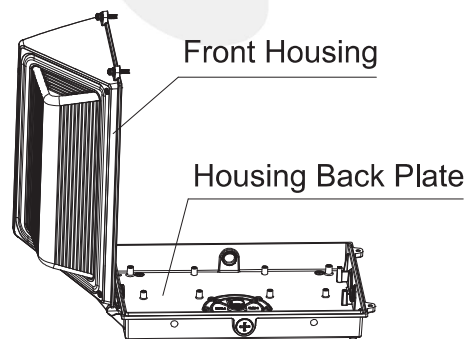
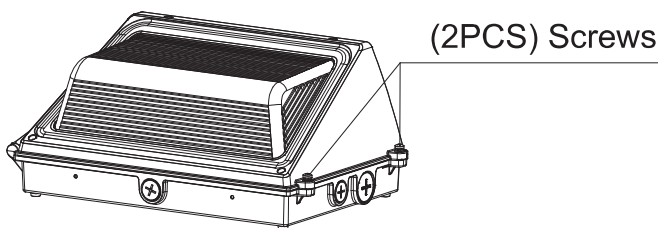
READ CAREFULLY BEFORE INSTALLING FIXTURE. RETAIN THESE INSTRUCTIONS FOR FUTURE REFERENCE.

WARNING: TURN OFF POWER BEFORE INSTALLATION.

1. Review the diagrams before beginning, and make sure the fixture is grounded properly.
2. This fixture has to be installed or maintained in accordance with the application code by a professional person who is familiar with the construction and operation of the product and the hazards involved.
3. This fixture must be wired in accordance with the international electrical code and applicable local codes and ordinances.
4. Proper grounding is required to ensure personal safety. Carefully observe the correct grounding procedure under the installation section.
5. Check that the voltage is compatible with the fixture driver, and use approved connectors for all electrical connections.

INSTALLATION:

1. Unscrew the Front Housing with a Philips screwdriver by loosening (2) screws. Confirm junction box size and junction box mounting provisions to that of the light fixture.
2. Attach the light fixture to the junction box or mounting surface.
3. Attach the appropriate wires to the light fixture wires, green to green, black to black, and white to white. Secure each wire pair with a wire nut. (Wiring instruction FYI.) The cable inlet needs to be waterproofed, such as applying waterproof glue.
4. Close the Front Housing and tighten screws(2pcs) on the Front Housing.



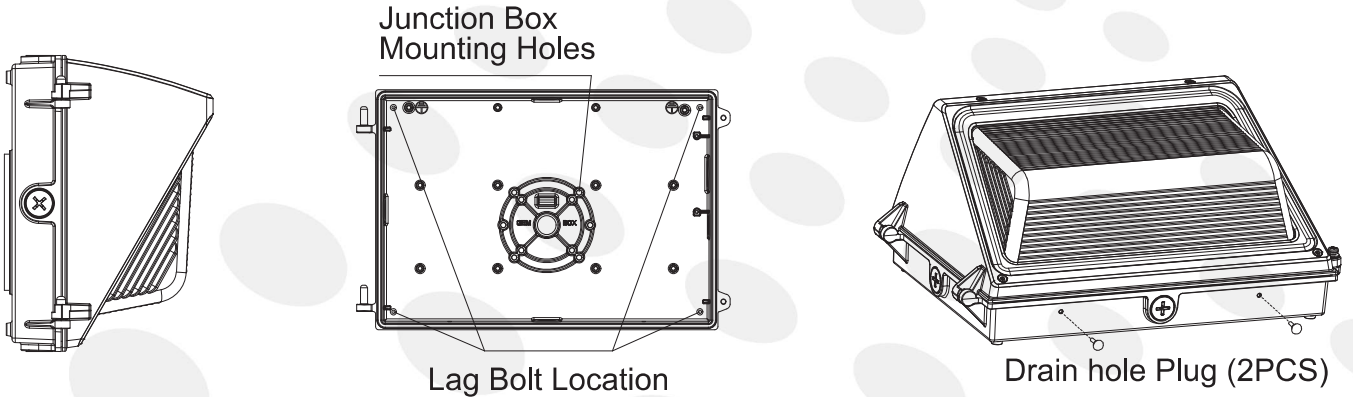
5. The bottom shell is sprayed with glue and tightly sealed to the wall. The fixture must be mounted on the wall with the lens facing down as shown in the picture. After the product is installed, remove the two drain hole plugs to prevent internal water accumulation.



FORTE™

LED Wall Pack

Installation

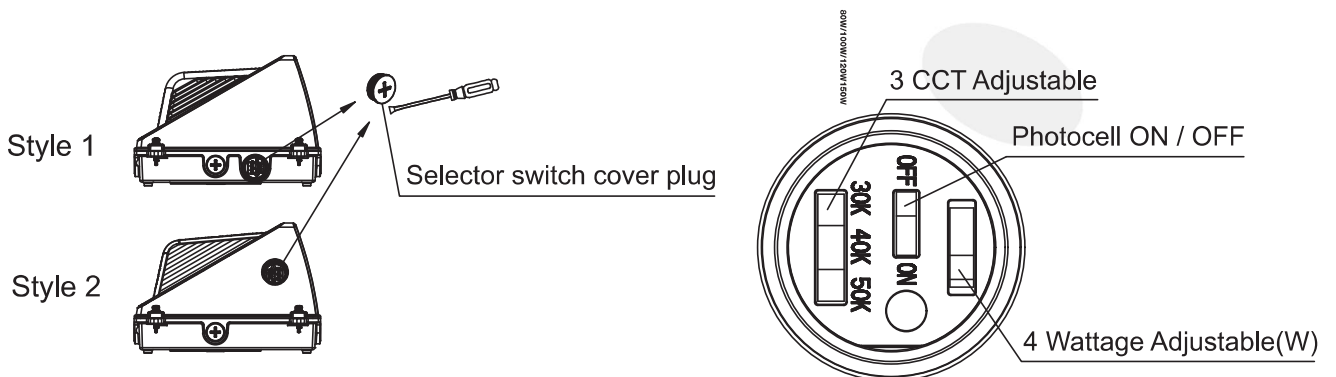


FUNCTION ADJUSTMENT:

Follow the instructions below to change fixture Color Temperature (CCT), Power (W), and/or Photocell On/Off option from the factory default settings before installation:

Factory Default Settings: Max wattage, 5000K, Photocell/ON

1. Locate the Selector Switches on the side of the Housing as shown in the figure and remove the Selector Switch Cover Plug.
2. Select Color Temperature (CCT), Power (W), and/or Photocell On/Off position by sliding the respective switch to the desired value.
3. Replace the Selector Switch Cover Plug. Tighten the plug to prevent water.



FORTE™

LED Wall Pack



Installation

CONNECTION DIAGRAM:

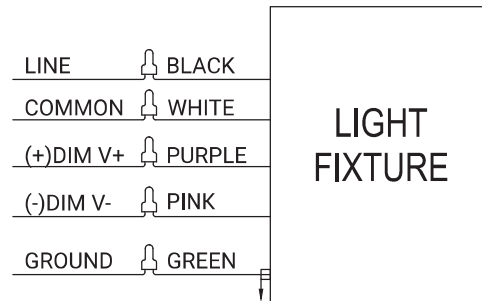
WARNING: TURN OFF POWER BEFORE CONNECTING WIRES.

Black wire connects to L, White wire connects to N, Green wire connects to GROUND.

For 0-10V dimming, the wiring direction is as below:

1. Turn off the power.
2. Connect the BLACK wire with the LINE.
3. Connect the WHITE wire with the COMMON.
4. Connect the GREEN wire with the GROUND.
5. Connect the PURPLE wire with the (V+) DIM.
6. Connect the PINK wire with the (V-) DIM.

CAUTION: DO NOT connect the PINK (-) DIM V - wire with GROUND.



MAINTENANCE AND CLEANING:

WARNING: TURN OFF POWER BEFORE MAINTENANCE AND CLEANING.

1. Before touching the fixture, make sure the fixture is cooling.
2. Do not clean or maintain while the fixture is energized.
3. Clean the lens & fixture with a non-abrasive glass cleaning solution.
4. Do not open the fixture to clean and touch LED chips.



FORTE™

LED Wall Pack

Pakaging

SKU	Size (Inches)	Qty / Carton	Net Weight / Carton	Gross Weight / Carton
156703	15 x 11.02 x 9.44	1Pc	8.36 LBS	9.81 LBS
156994	20.82 x 11.49 x 8.66	1Pc	10.14 LBS	12.13 LBS

Application Image



FORTE™

LED Wall Pack



Application Picture



LED WALL PACK

Warranty

5 Year Warranty