

LP32-LW-OPT-2-AO

2PK Emulex® LP32-LW-OPT-2 Compatible TAA 32GBase-LW FC SFP+ Transceiver (SMF, 1310nm, 10km, LC, DOM)

Features

- SFF-8432 and SFF-8472 Compliance
- Duplex LC Connector
- Commercial Temperature 0 to 70 Celsius
- Single-mode Fiber
- Hot Pluggable
- Excellent ESD Protection
- Metal with Lower EMI
- RoHS Compliant and Lead Free



Applications

- 32GBase Fibre Channel
- Access and Enterprise

Product Description

This Emulex® LP32-LW-OPT-2 compatible SFP+ transceiver provides 32GBase-LW Fibre Channel throughput up to 10km over single-mode fiber (SMF) using a wavelength of 1310nm via an LC connector. It is guaranteed to be 100% compatible with the equivalent Emulex® transceiver. This easy to install, hot swappable transceiver has been programmed, uniquely serialized and data-traffic and application tested to ensure that it will initialize and perform identically. Digital optical monitoring (DOM) support is also present to allow access to real-time operating parameters. This transceiver is Trade Agreements Act (TAA) compliant. We stand behind the quality of our products and proudly offer a limited lifetime warranty.

AddOn's transceivers are RoHS compliant and lead-free.

TAA refers to the Trade Agreements Act (19 U.S.C. & 2501-2581), which is intended to foster fair and open international trade. TAA requires that the U.S. Government may acquire only "U.S. – made or designated country end products."



Regulatory Compliance

- ESD to the Electrical PINs: compatible with MIL-STD-883E Method 3015.4
- ESD to the LC Receptacle: compatible with IEC 61000-4-3
- EMI/EMC compatible with FCC Part 15 Subpart B Rules, EN55022:2010
- Laser Eye Safety compatible with FDA 21CFR, EN60950-1& EN (IEC) 60825-1,2
- RoHS compliant with EU RoHS 2.0 directive 2015/863/EU

Absolute Maximum Ratings

Parameter	Symbol	Min.	Max.	Unit
Maximum Supply Voltage	V _{CC}	-0.5	4.0	V
Storage Temperature	T _S	-40	85	°C
Operating Case Temperature	T _C	0	70	°C
Operating Humidity (Non-Condensing)	RH	5	85	%
Maximum Bitrate	B _{max}	8.5	28.05	Gbps
Bit Error Rate	BER		10 ⁻¹² 10 ⁻⁶	

Electrical Characteristics (T_A, V_{CC} = 3.15 to 3.46 Volts)

Parameter	Symbol	Min.	Typ.	Max.	Unit	Notes	
Power Supply Voltage	V _{CC}	3.15		3.46	V		
Power Supply Current	I _{CC}			400	mA	1	
Power Consumption	P _{DISS}			1.5	W		
Transmitter							
Differential data input swing	28.05Gbps	V _{in,pp}	250		900	mV	
	14.025Gbps & 8.5Gbps	V _{in,pp}	180		700	mV	
Input differential impedance	Z _{in}		100		Ω	2	
Inner Eye Height	EH ₆	50			mV	3	
Transmit Disable Voltage	V _D	2		V _{CC}	V	4	
Transmit Enable Voltage	V _{EN}	V _{EE}		V _{EE} +0.8	V		
Receiver							
Single ended data output swing	V _{out, pp}	185		425	mV	5	
Output differential impedance	Z _{in}		100		Ω		
LOS Fault	V _{LOS fault}	2		V _{CC} HOST	V	6	
LOS Normal	V _{LOS norm}	V _{EE}		V _{EE} +0.8	V	6	
Power Supply Rejection	PSR	100			mVpp	7	

Notes:

1. With established link, the total power dissipation shall not exceed 1.3W.
2. Connected directly to TX data input pins. AC coupling from pins into CDR, BER contour 10^{-6} , per FC-PI 6 and FC-MSQS-2.
3. Inner eye height (EH6) for high loss case
4. Or open circuit.
5. Into 100 ohms differential termination.
6. LOS is an open collector output. Should be pulled up with 4.7k – 10kohms on the host board. Normal operation is logic 0; loss of signal is logic 1. Maximum pull-up voltage is 5.5V.
7. Receiver sensitivity is compliant with power supply sinusoidal modulation of 20 Hz to 1.5 MHz up to specified value applied through the recommended power supply filtering network.

Optical Characteristics

Parameter	Symbol	Min.	Typ.	Max.	Unit	Notes	
Transmitter							
Optical Power (average)	28.05Gbps/ 14.025Gbps	P _{OUT}	-5		+2.0	dBm	1,2
	8.5Gbps	P _{OUT}	-8.4		+2.0	dBm	1
Optical Modulation amplitude (OMA)	28.05Gbps	OMA	631 (-2.0)		(+3)	μW(dBm)	
	14.025Gbps	OMA	631 (-2.0)		(+3)	μW(dBm)	
	8.5Gbps	OMA	290 (-5.4)		(+3)	μW(dBm)	
Optical Extinction Ratio	28.05Gbps	ER	4			dB	
	14.025Gbps/ 8.5Gbps	ER	3.5			dB	
Optical Wavelength	λ	1295		1325	nm		
Spectral Width (-20dB)	σ			1	nm		
Side Mode Suppression Ratio		30			dB		
Transmitter Dispersion Penalty	28.05Gbps	TDP			2.7	dB	
	14.025Gbps	TDP			4.4	dB	
	8.5Gbps	TDP			3.2	dB	
Relative Intensity Noise	28.05Gbps/ 14.025Gbps	RIN			-130	dB/Hz	
	8.5Gbps	RIN			-128	dB/Hz	
Receiver							
Average Receiver Power		R _X MAX			2	dBm	
Unstressed Receiver Sensitivity (OMA)	28.05Gbps	R _X SENS			-11.4	dBm	3
	14.025Gbps	R _X SENS			-12.0	dBm	3
	8.5Gbps	R _X SENS			-13.8)	dBm	3
Optical Return Loss	28.05Gbps		26			dB	
	14.025Gbps/ 8.5Gbps		12			dB	
LOS De-Assert		LOS _D			-17	dBm	
LOS Assert		LOS _A	-30			dBm	
LOS Hysteresis			0.5			dB	

Notes:

1. Class 1 Laser Safety limit per FDA/CDRH, and EN (IEC) 60825 laser safety standards.
2. 3200-SM-LC-L OMA in dBm shall also exceed -5.0 TDP.
3. For 32GFC with FEC, receiver sensitivity is defined at 10⁻⁶ BER level, not 10⁻¹² BER level.

Pin Descriptions

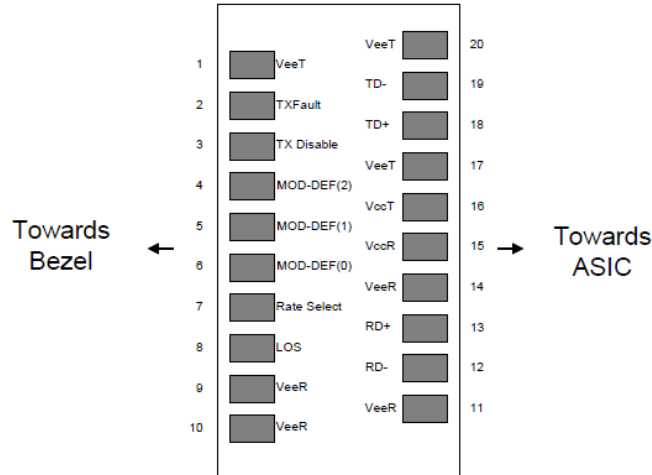
Pin	Symbol	Name/Descriptions	Ref.
1	VEET	Transmitter Ground (Common with Receiver Ground)	1
2	TFAULT	Transmitter Fault.	2
3	TDIS	Transmitter Disable. Laser output disabled on high or open.	3
4	SDA	2-wire Serial Interface Data Line (MOD-DEF2)	4
5	SCA	2-wire Serial Interface Clock (MOD-DEF1)	4
6	MOD_ABS	Module Absent, connected to V _{EET} or V _{EER}	4
7	RS0	Rx Rate Select: Open or Low = 8.5 or 14.025 Gb/s Fibre Channel (Low Bandwidth) High = 28.05 Gb/s Fibre Channel (High Bandwidth)	5
8	LOS	Loss of Signal indication. Logic 0 indicates normal operation.	6
9	RS1	Tx Rate Select: Open or Low = 8.5 or 14.025 Gb/s Fibre Channel (Low Bandwidth) High = 28.05 Gb/s Fibre Channel (High Bandwidth)	5
10	VEER	Receiver Ground (Common with Transmitter Ground)	1
11	VEER	Receiver Ground (Common with Transmitter Ground)	1
12	RD-	Receiver Inverted DATA out. AC Coupled	
13	RD+	Receiver Non-inverted DATA out. AC Coupled	
14	VEER	Receiver Ground (Common with Transmitter Ground)	1
15	VCCR	Receiver Power Supply	
16	VCCT	Transmitter Power Supply	
17	VEET	Transmitter Ground (Common with Receiver Ground)	1
18	TD+	Transmitter Non-Inverted DATA in. AC Coupled.	
19	TD-	Transmitter Inverted DATA in. AC Coupled.	
20	VEET	Transmitter Ground (Common with Receiver Ground)	1

Notes:

1. Circuit ground is internally isolated from chassis ground.
2. T_{FAULT} is an open collector/drain output, which should be pulled up with a 4.7k – 10k Ohms resistor on the host board if intended for use. Pull up voltage should be between 2.0V to V_{cc} + 0.3V. A high output indicates a transmitter fault caused by either the TX bias current or the TX output power exceeding the preset alarm thresholds. A low output indicates normal operation. In the low state, the output is pulled to <0.8V.
3. Laser output disabled on T_{DIS} >2.0V or open, enabled on T_{DIS} <0.8V.
4. Should be pulled up with 4.7k – 10kohms on host board to a voltage between 2.0V and 3.6V. MOD_ABS pulls line low to indicate module is plugged in.
5. Rate select can also be set through the 2-wire bus in accordance with SFF-8472 v. 12.1c. Rx Rate Select is set at Bit 3, Byte 110, Address A2h. Tx Rate Select is set at Bit 3, Byte 118, Address A2h. Note: writing a

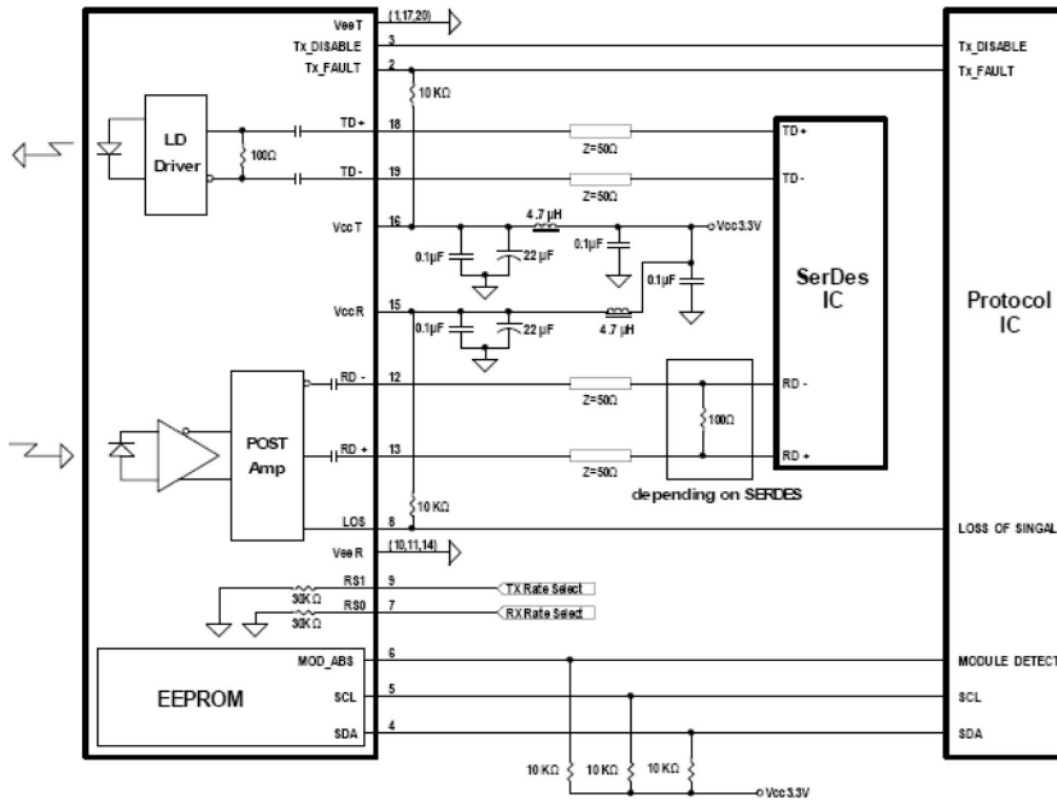
“1” selects maximum bandwidth operation. Rate select is the logic OR of the input state of Rate Select Pin and 2-wire bus.

6. LOS is open collector output. Should be pulled up with 4.7k – 10kohms on host board to a voltage between 2.0V and 3.6V. Logic 0 indicates normal operation; logic 1 indicates loss of signal.



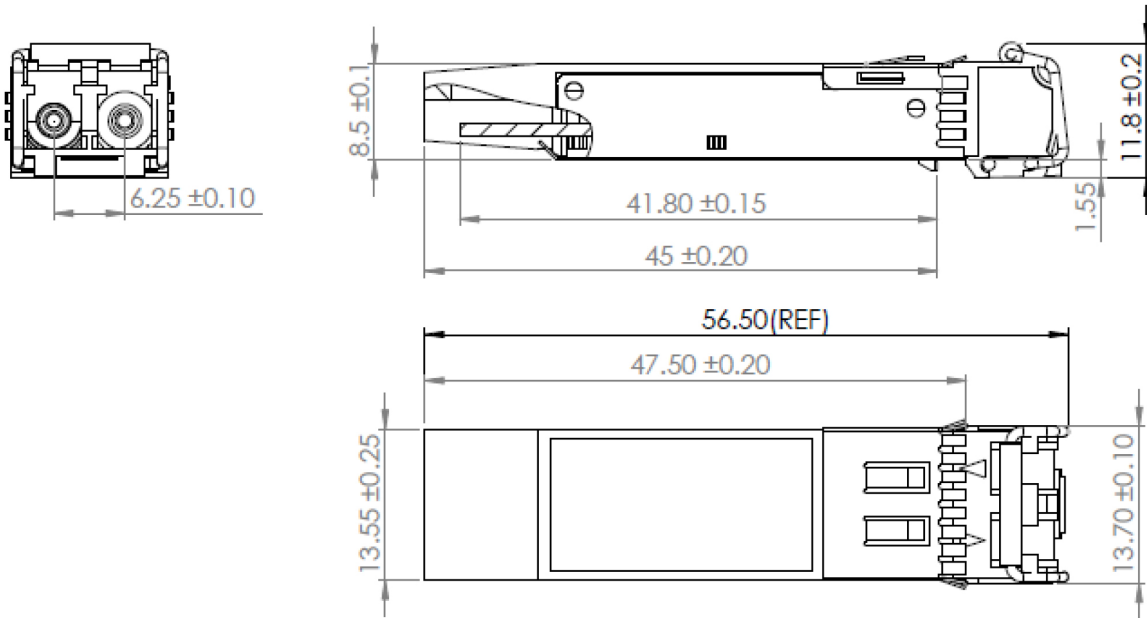
Pin-out of connector Block on Host board

Recommended Circuit Schematic



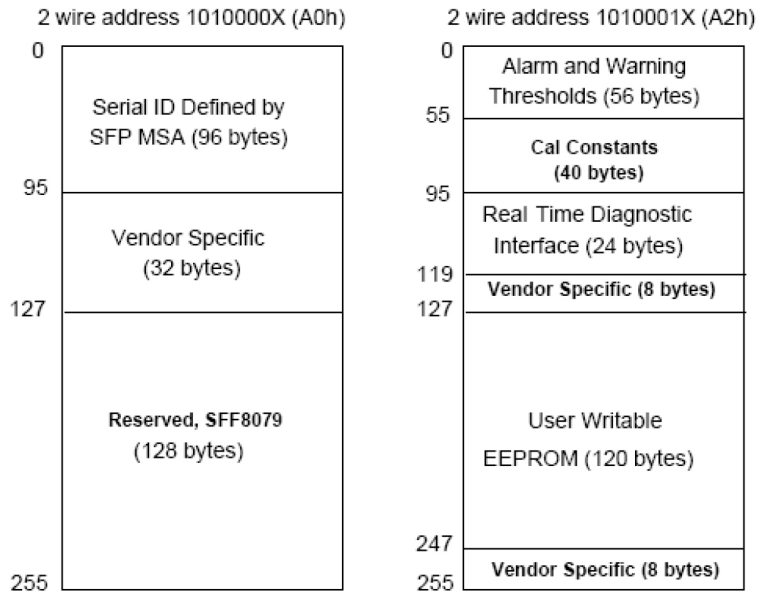
Mechanical Specifications

Small Form Factor Pluggable (SFP) transceivers are compatible with the dimensions defined by the SFP Multi-Sourcing Agreement (MSA).



EEPROM Information

EEPROM memory map specific data field description is as below:



About AddOn Networks

In 1999, AddOn Networks entered the market with a single product. Our founders fulfilled a severe shortage for compatible, cost-effective optical transceivers that compete at the same performance levels as leading OEM manufacturers. Adhering to the idea of redefining service and product quality not previously had in the fiber optic networking industry, AddOn invested resources in solution design, production, fulfillment, and global support.

Combining one of the most extensive and stringent testing processes in the industry, an exceptional free tech support center, and a consistent roll-out of innovative technologies, AddOn has continually set industry standards of quality and reliability throughout its history.

Reliability is the cornerstone of any optical fiber network and is engrained in AddOn's DNA. It has played a key role in nurturing the long-term relationships developed over the years with customers. AddOn remains committed to exceeding industry standards with certifications from ranging from NEBS Level 3 to ISO 9001:2005 with every new development while maintaining the signature reliability of its products.



U.S. Headquarters

Email: sales@addonnetworks.com

Telephone: +1 877.292.1701

Fax: 949.266.9273

Europe Headquarters

Email: salesupportemea@addonnetworks.com

Telephone: +44 1285 842070