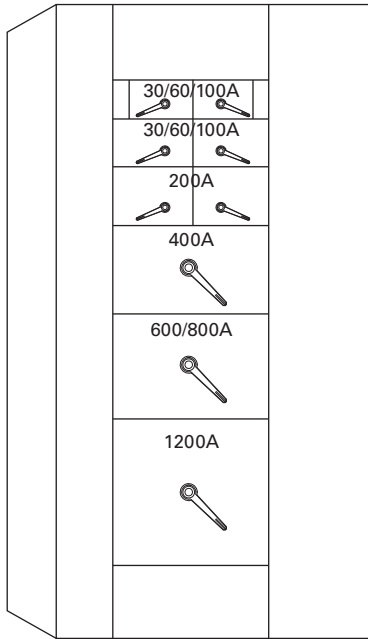


Fusible Switches

Horizontally Mounted Fusible Switches



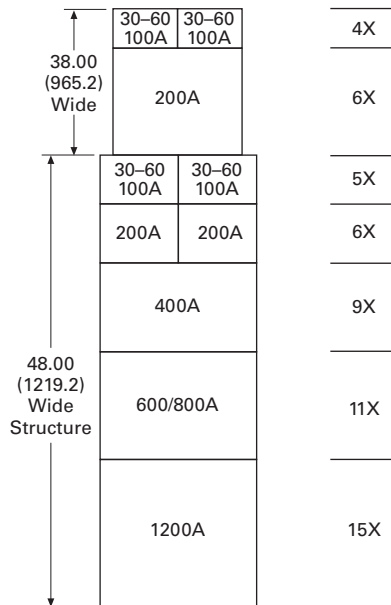
Fusible Switch Ratings

Rating (Amperes/Voltage)	Fuse Type	Unit Size ①	Horizontally Mounted	
30	250 AC or DC	R	4X	Twin
	600 AC	R, J	4X	Twin
60	250 AC or DC	R	4X	Twin
	600 AC	R, J	4X	Twin
100	250 AC or DC	R	4X	Twin
	600 AC	R, J	5X	Twin
200	250 AC or DC	R, T	6X	Single or twin
	600 AC	R, J, T	6X	Single or twin
400	250 AC or DC	R, T	9X	Single
	600 AC	R, J, T	9X	Single
600	250 AC	R, T	11X	Single
	600 AC	R, J, T	11X	Single
800	250 AC	T	11X	Single
	600 AC	L, T	11X	Single
1200	250 AC	T	15X	Single
	600 AC	L	15X	Single

Note

① 1X = 1-3/8 inch.

Horizontally Mounted Fusible Switches—X Spacing ①



Note: 200A, 600V with Class R fuses available as a single unit only.

Low Voltage Switchboards and Switchgear

Switchboard Accessories and Modifications

Fusible Switch Selection Guide

Dimensions in Inches (mm)

30/60/100A

18.00 (457.2) Wide, 4X High, Twin Fusible Switch

Ampere Rating			
Unit 1	Unit 2	Fuse Type	Catalogue Number
240 Vac or 250 Vdc			
30	30	R	FDPWT3211R
30	60	R	FDPWT3212R
30	100	R	FDPWT3213R
60	60	R	FDPWT3222R
60	100	R	FDPWT3223R
100	100	R	FDPWT3233R
600 Vac			
30	30	R	FDPWT3611R
30	30	J	FDPWT3611J
30	60	R	FDPWT3612R
30	60	J	FDPWT3612J
60	60	R	FDPWT3622R
60	60	J	FDPWT3622J

22.00 (558.8) Wide, 5X High, Twin Fusible Switch

Ampere Rating			
Unit 1	Unit 2	Fuse Type	Catalogue Number
600 Vac			
30	100	R	FDPWT3613R
60	100	R	FDPWT3623R
100	100	R	FDPWT3633R

200A

22.00 (558.8) Wide, 6X High, Twin Fusible Switch

Ampere Rating			
Unit 1	Unit 2	Fuse Type	Catalogue Number
240 Vac or 250 Vdc			
200	200	R	FDPBT3244R
200	200	R	FDPBT3244RDS
600 Vac			
200	200	J	FDPBT3644J
200	200	J	FDPBT3644JDS

18.00 (457.2) Wide, 6X High, Single Fusible Switch

Ampere Rating	Fuse Type	Catalogue Number
240 Vac or 250 Vac		
200	T	FDPBS324F
200	R	FDPBS324R
600 Vac		
200	R	FDPBS364R
200	J	FDPBS364J
200	T	FDPBS364F

400A

22.00 (558.8) Wide, 9X High, Single Fusible Switch ①

Ampere Rating	Fuse Type	Catalogue Number
240 Vac or 250 Vac		
400	R	FDPW325R
400 (Main)	R	FDPW325MR
600 Vac		
400	R	FDPW365R
400 (Main)	R	FDPW365MR
400	J	FDPW365J
400 (Main)	J	FDPW365MJ

18.00 (457.2) Wide, 16X High—Top Feed Main ①

Ampere Rating	Fuse Type	Catalogue Number
240 Vac or 250 Vac		
400	R	FDPW325TR
600 Vac		
400	R	FDPW365TR
400	J	FDPW365TJ

18.00 (457.2) Wide, 16X High—Bottom Feed Main ①

Ampere Rating	Fuse Type	Catalogue Number
240 Vac or 250 Vac		
400	R	FDPW325BR
600 Vac		
400	R	FDPW365BR
400	J	FDPW365BJ

Note

① For cable-in/cable-out application of a branch switch, additional terminals are required. Order the terminal kit TA750FDPW. The kit contains three terminals and hardware.