



Post Office Box 97
 Benton Harbor, Michigan
 Ph: 616/926-6171
 Fax: 616/925-8288

PART NUMBER:
 LTD112

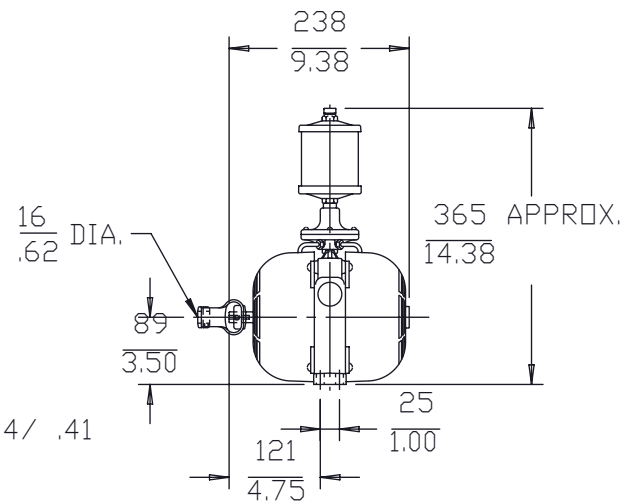
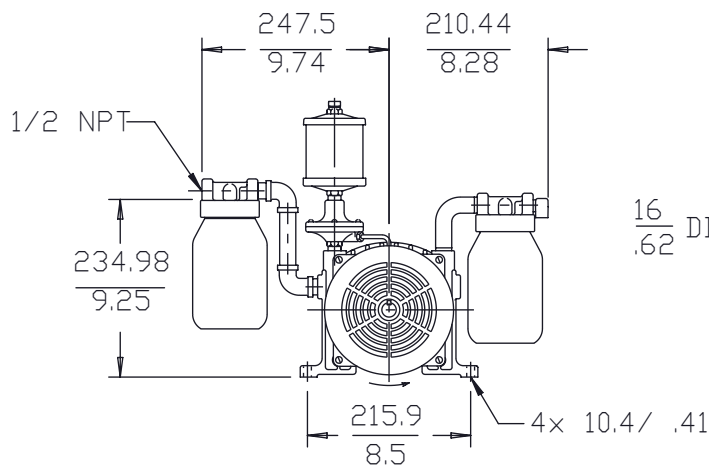
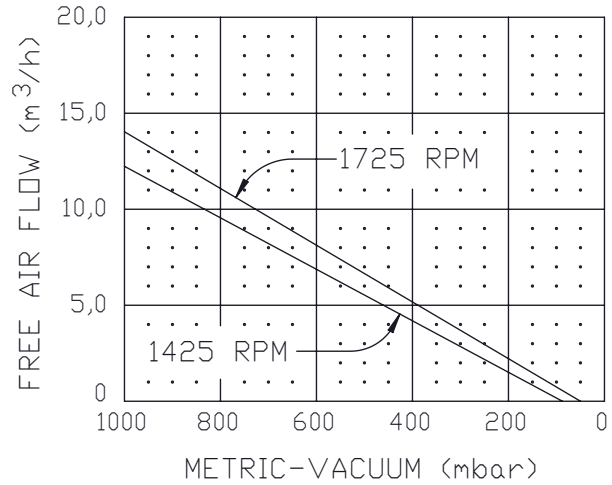
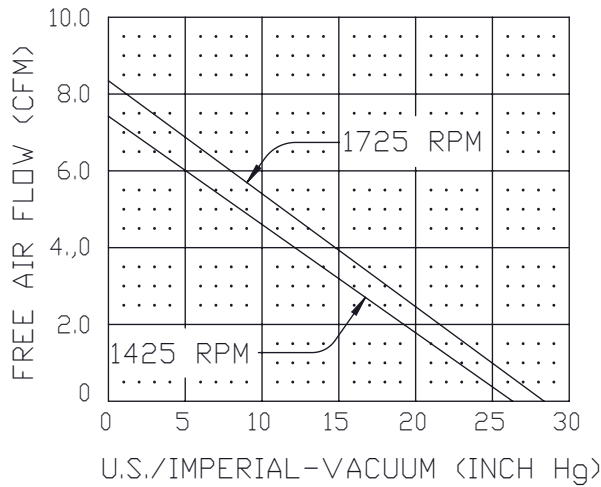
REVISION:
 B

Product Specifications

MODEL NUMBER	RPM		HP	kW	NET WT.	
	60 cycle	50 cycle			lbs.	kg
1065-V2A	1725	1425	.5	0,37	23	10,45

SOUND LEVEL 77 dB(A) MAX.
 NORMAL AMBIENT 1°C - 40°C
 RELATIVE HUMIDITY 8% - 100% NON CONDENSING
 ENVIRONMENT CLEAN DUST FREE

NOTES:
 1. * TECHNICAL DATA SUBJECT TO CHANGE WITHOUT NOTICE.



VIEW LESS MUFFLER