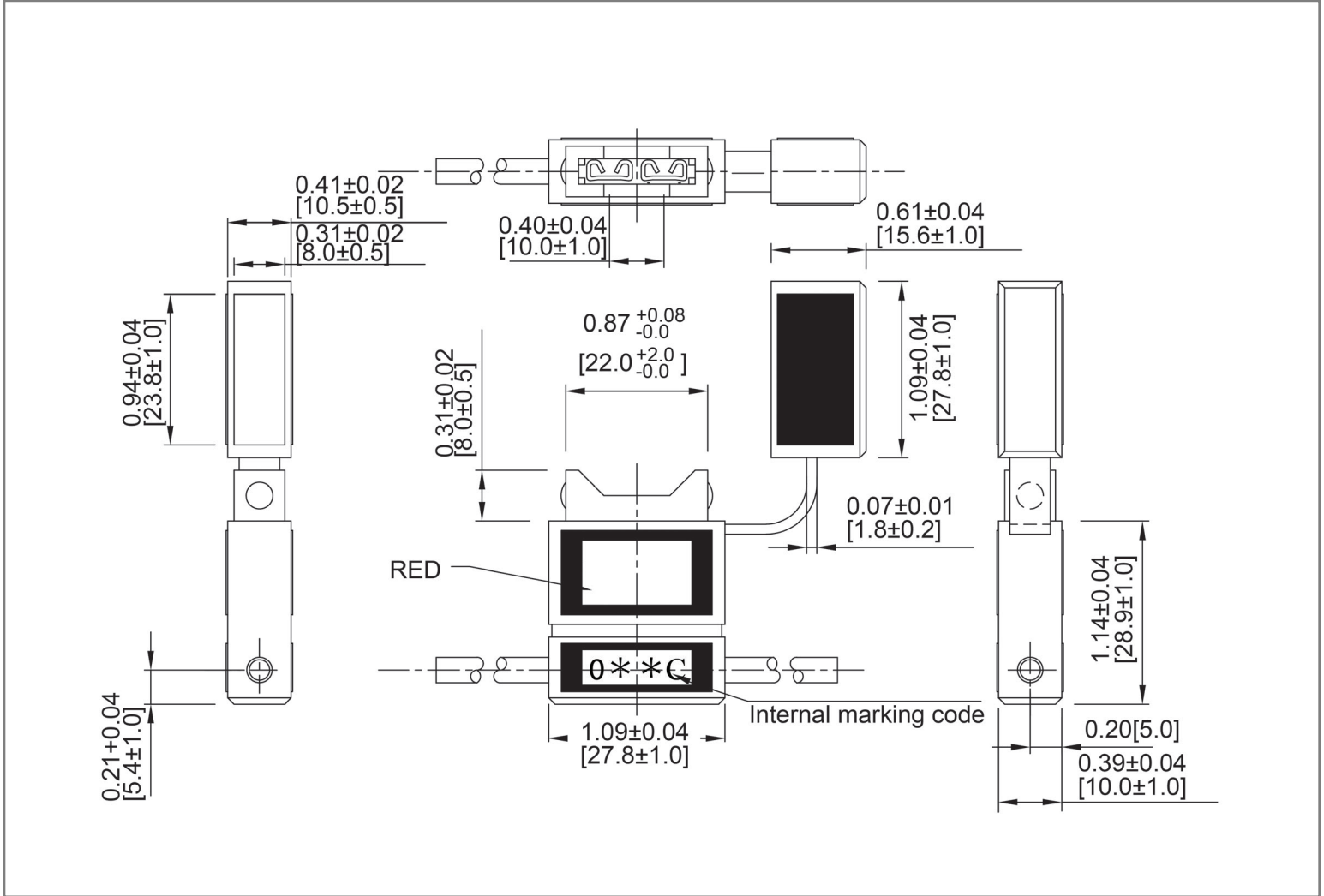


Mechanical Dimensions: Inches [mm]



Part Numbers Information

LPR - 03 - **B** - **12** - **R** - **BP**

BODYCOLOR	WIRE GAUGE	WIRE COLOR	PACKAGING
W: White B: Black	10: 10AWG 12: 12AWG 14: 14AWG 16: 16AWG 18: 18AWG	B: Black R: Red	Blank: Bulk BP: Blister Pack (1pc)

Wire Gauge	Max Amp.
10 AWG	40A
12 AWG	30A
14 AWG	20A
16 AWG	15A
18 AWG	10A

Electrical Specifications

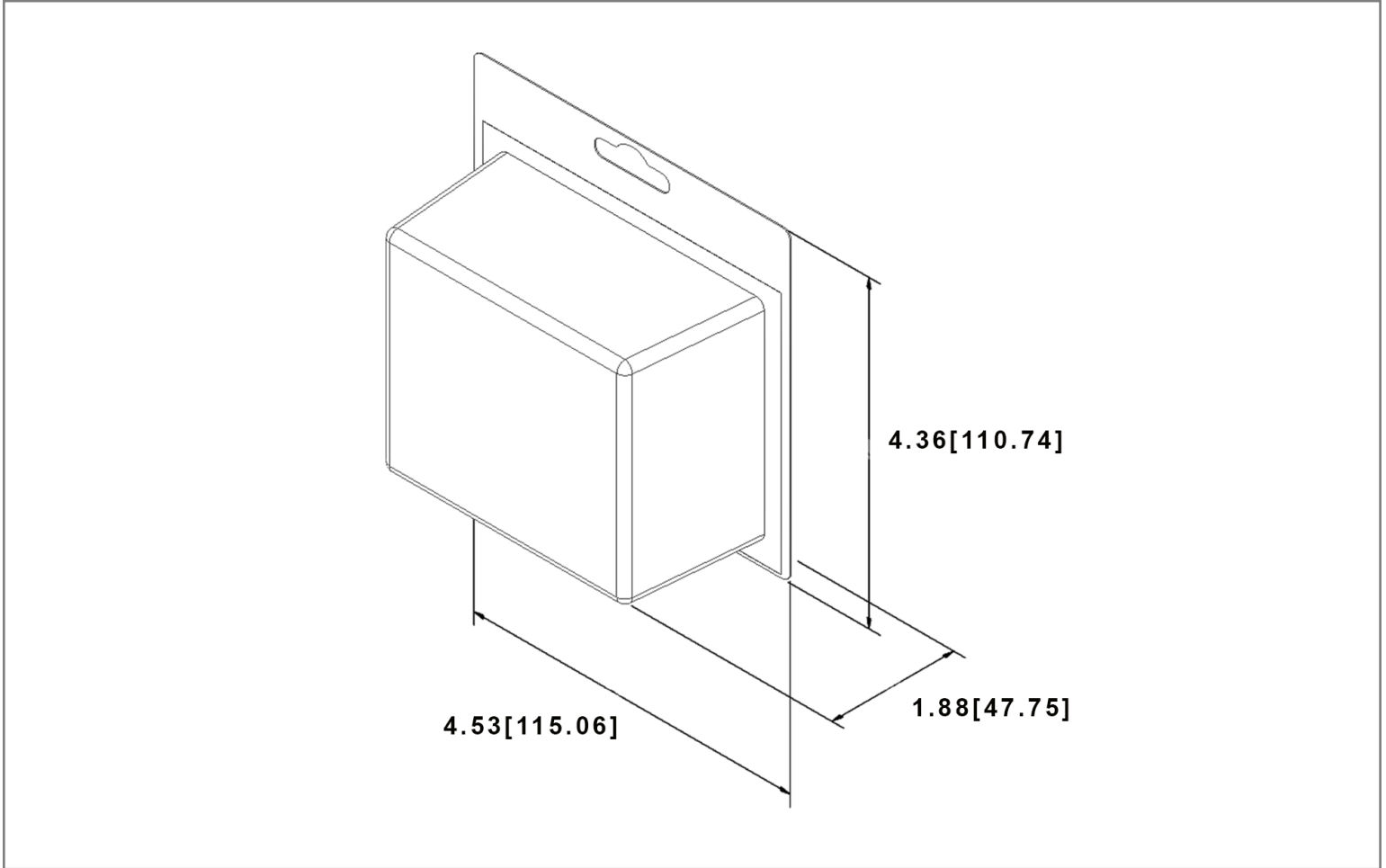
Voltage Rating	125VDC; 250VAC
Temperature Rating	-40°C ~85°C

Material Specifications

For use with APR and ANR Regular (ATO/ATC Style) Blade Fuses	
Body Material	PVC
Wire Length	10" Loop
Wire Type	UL 1015
Ingress Protection	IP65

For custom inquiries please contact the factory

Retail Pack: Inches [mm]



Rev	Date of issue	Revision Notes	Designed	Approved
I	10-29-2025	Updated Mechanical Dimensions	RC	OF