



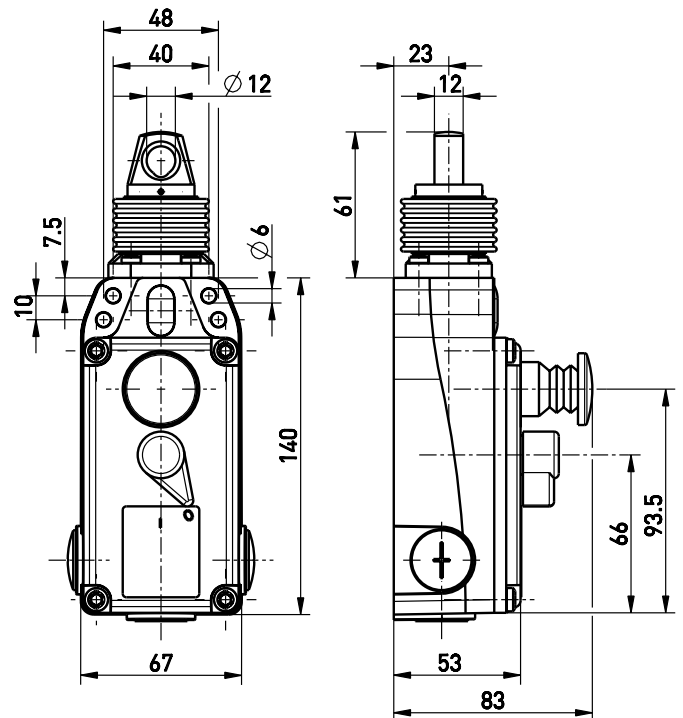
## Emergency pull-wire switch ZS 80 2Ö/2S WVD

Article no.: 1177916 (old article no.: 72942501)

### Product features

- Metal enclosure
- Position indicator and integrated emergency-stop push button
- Wire length up to 100 m
- Spring force variant: 100 N
- Lever for release and position indication
- Watertight collar
- Wire pull and breakage detection

### Dimensions



### Technical data

#### Applied standards

EN 60947-5-1, EN 60947-5-5, EN ISO 13850, EN ISO 13849-1

#### Enclosure

aluminium die-cast, powder-coated, RAL 1003

#### Cover

thermoplastic, glass-fibre reinforced, shockproof, self-extinguishing UL 94 V-0

#### Tightening torque

cover screws: 2.4 Nm

#### Degree of protection

IP67 (IEC/EN 60529)

#### B<sub>10d</sub> (10 % load)

200 000

#### T<sub>M</sub>

max. 20 years

#### Contact material

silver

#### Switching elements

2 NC/2 NO contacts, type Zb

#### Switching system

slow action, positive break NC contacts  $\ominus$

#### Connection

2 x 4 pole terminal block

#### Cable entry

3 x M20 x 1.5 (for cable glands only)

#### Cable cross-section

max. 2.5 mm<sup>2</sup> (incl. conductor ferrules)

#### Rated impulse withstand voltage U<sub>imp</sub>

2.5 kV

#### Rated insulation voltage U<sub>i</sub>

250 V

#### Conventional thermal current I<sub>the</sub>

2 A

#### Conditional short-circuit current

1000 A

#### Utilisation category

AC-15; DC-13

#### Rated operating current/voltage I<sub>e</sub>/U<sub>e</sub>

2 A/250 VAC; 0.25 A/230 VDC; 2 A/24 VDC

#### Short-circuit protection

2 A gG fuse

Errors and omissions excepted.

