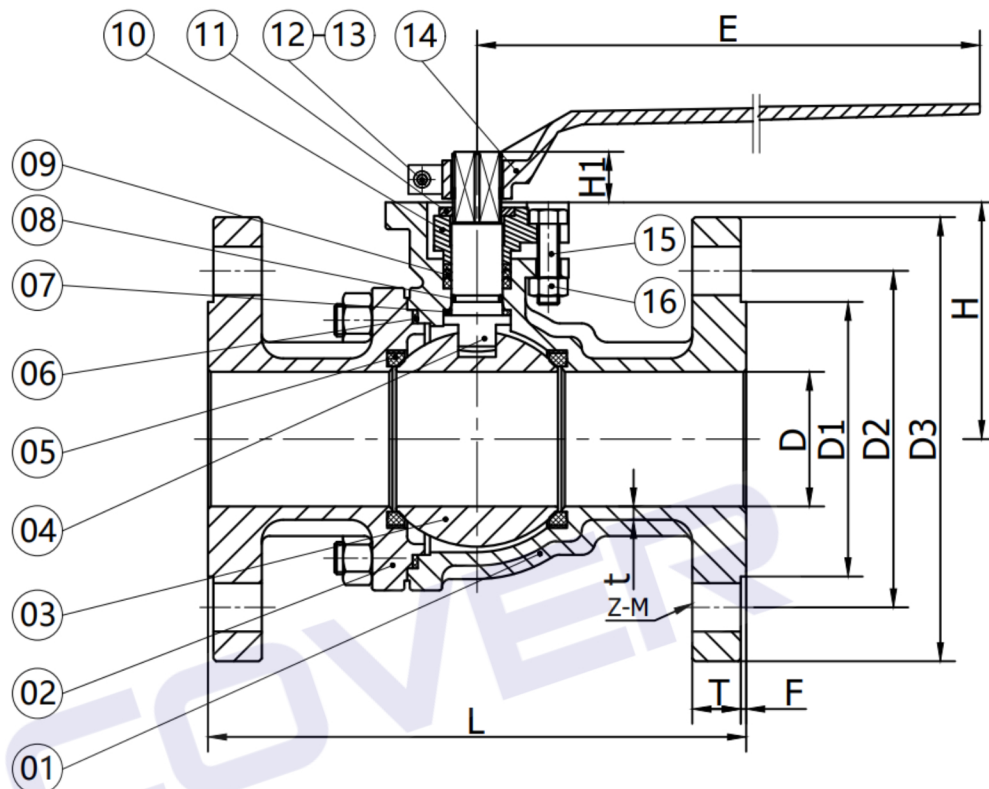


316 Stainless Steel 150# Flanged Ball Valve

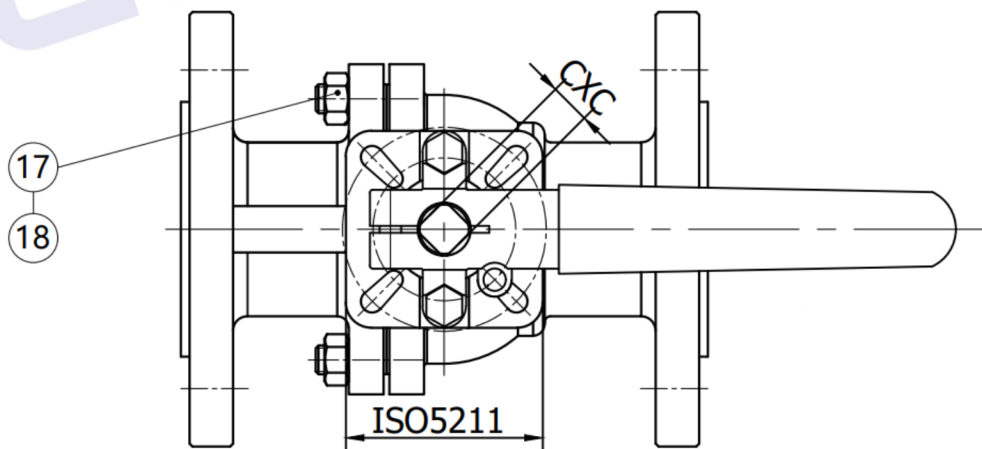
TORQUE

Size	Torque safety factor = 1.3	
	Ft/Lbs	N/M
inch		
1/2	4	6
3/4	7	9
1	10	14
1 1/4	16	22
1 1/2	24	32
2	30	40
2 1/2	44	60
3	77	105
4	122	165
5	184	250
6	302	410
8	369	500



MATERIALS LIST

No.	Part Name	Material	Qty
1	Body	CF8M	1
2	End cap	CF8M	1
3	Ball	316SS	1
4	Stem	316SS	1
5	Seat	PTFE	2
6	Gasket	PTFE	1
7	Thrust washer	PTFE	1
8	Stem o-ring	Viton	1
9	Packing	PTFE	1 set
10	Gland	CF8	1
11	Stop plate	201	1
12	Bolt	304SS	1
13	Nut	304SS	1
14	Handle	CF8	1
15	Bolt	304SS	2
16	Nut	304SS	2
17	Bolt	304SS	Varies
18	Nut	304SS	Varies



DESIGN FEATURES

- Class: 150# WOG
- WSP = 125 PSI
- ANSI Flanged Ends
- Test and Inspection: API 598
- Temperature range: -20°F to 302°F
- Full ISO 5211 mounting pad

316 Stainless Steel 150# Flanged Ball Valve

DIMENSIONS

Size	D		L		E		H		H1		C		D1		D2		D3		T		F		Z-M	ISO 5211
	inch	mm	inch	mm	inch	mm	inch	mm	inch	mm	inch	mm	inch	mm	inch	mm	inch	mm	inch	mm	inch	mm		
1/2	0.6	15	4.3	108	5.6	143	2.1	53	0.4	9	0.4	9	1.4	35	2.4	60	3.5	90	0.4	10	0.1	1.6	4-16	F04/F05
3/4	0.8	20	4.6	117	5.6	143	2.2	55	0.4	9	0.4	9	1.7	43	2.8	70	3.9	100	0.4	10	0.1	1.6	4-16	F04/F05
1	1.0	25	5.0	127	7.1	180	2.3	59	0.4	11	0.4	11	2.0	51	3.1	80	4.3	110	0.4	11	0.1	1.6	4-16	F04/F05
1 1/4	1.3	32	5.5	140	7.1	180	2.8	71	0.6	11	0.4	11	2.5	64	3.5	89	4.5	115	0.4	11	0.1	1.6	4-16	F04/F05
1 1/2	1.5	38	6.5	165	8.8	224	3.0	76	0.6	14	0.6	14	2.9	73	3.9	98	4.9	125	0.5	13	0.1	1.6	4-16	F05/F07
2	2.0	50	7.0	178	8.8	224	3.5	90	0.7	14	0.6	14	3.6	92	4.8	121	5.9	150	0.6	14	0.1	1.6	4-19	F05/F07
2 1/2	2.6	65	7.5	190	11.4	290	4.2	107	0.7	18	0.7	17	4.1	105	5.5	140	7.1	180	0.6	16	0.1	1.6	4-19	F07/F10
3	3.1	78	8.0	203	11.4	290	4.6	118	0.7	18	0.7	17	5.0	127	6.0	152	7.5	190	0.7	18	0.1	1.6	4-19	F07/F10
4	3.9	100	9.0	229	11.4	290	5.4	138	0.9	18	0.7	17	6.2	157	7.5	191	9.1	230	0.9	22	0.1	1.6	8-19	F07/F10
5	4.9	125	14.0	356	19.7	500	7.2	183	0.9	22	0.9	22	7.3	186	8.5	216	10.0	255	0.9	22	0.1	1.6	8-22	F12
6	5.9	150	15.5	394	31.5	800	8.2	209	1.1	27	1.1	27	8.5	216	9.5	241	11.0	280	0.9	24	0.1	1.6	8-22	F12
8	7.9	200	18.0	457	31.5	800	10.3	261	1.1	27	1.1	27	10.6	270	11.8	299	13.6	345	1.1	27	0.1	1.6	8-22	F12

