

# RESOURCE RFB® SERIES FLOOR BOXES

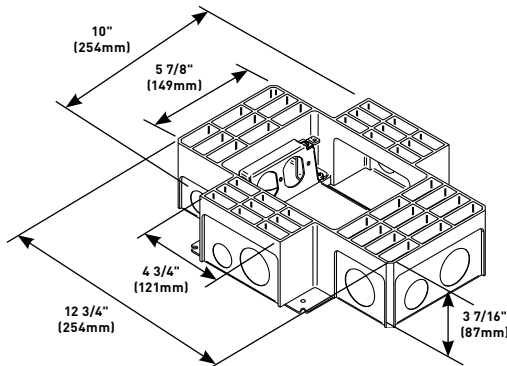
Floor Boxes with Rectangular Activations

## RFB4 and RFB4-4DB Series Multiservice Steel Recessed Floor Boxes Ordering Information

### RFB4 Four-Compartment Combination Box

12 3/4" x 10" x 3 7/16" (324mm x 254mm x 87mm). Fully adjustable with tunnel compartment and two receptacle brackets. **Tunneling from end power compartment to end power compartment only.** Communication brackets not included. All boxes and covers are sold separately.

**NOTE: Only for use in concrete floors.**

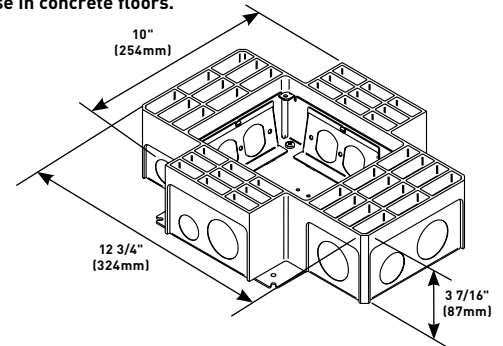


**NOTE: All boxes and activations are sold separately.**

### RFB4-4DB Four-Compartment Box With Four Duplex Receptacle Brackets

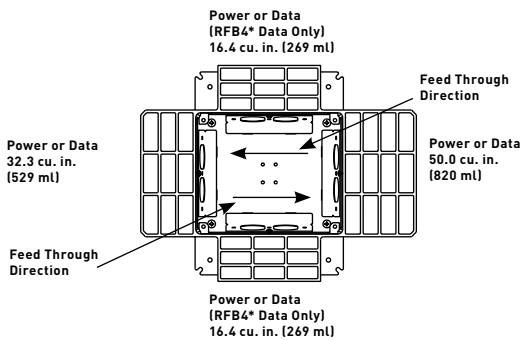
Includes four duplex receptacle brackets. 12 3/4" x 10" x 3 7/16" (324mm x 254mm x 87mm). Fully adjustable. **Tunneling from adjacent or opposite compartments only, (not cross compartments).** Tunneling can be set to feed all four compartments from one conduit in a single-service application. All boxes and covers are sold separately.

**NOTE: Only for use in concrete floors.**



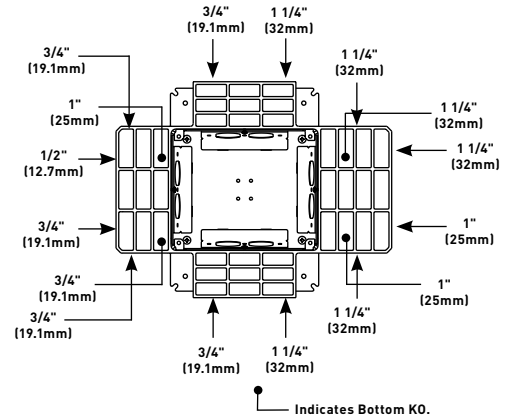
## Resource RFB4 and RFB4-4DB Series Floor Boxes Compartment Capacities, Knockout Locations and Sizes

### Compartment Capacities



**No feed through to opposite data compartment on RFB4.**

### Knockout Locations and Sizes



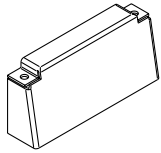
Download this product's PEP ecopassport® environmental product declaration at [www.legrand.us/resources-and-downloads](http://www.legrand.us/resources-and-downloads). This declaration conforms with ISO 14025 and 14040 and is in alignment with EN 15804.

# RESOURCE RFB<sup>®</sup> SERIES FLOOR BOXES

Floor Boxes with Rectangular Activations

## Resource RFB4 and RFB4-4DB Series Multiservice Steel Recessed Floor Box Accessories Ordering Information

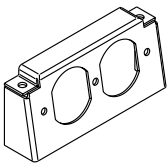
### RFB-B Internal Blank Bracket



Power compartments only. Used to close off unused gangs.

**NOTE:** For RFB4 only.

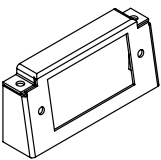
### RFB-DR Internal Duplex Bracket



Accepts standard 15A and 20A duplex receptacles.

**NOTE:** For RFB4 only.

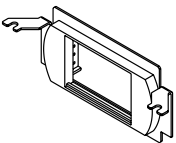
### RFB-GFI Internal GFI Bracket



Accepts standard GFCI or decorator-style receptacles, Communication or A/V Devices.

**NOTE:** For RFB4 only.

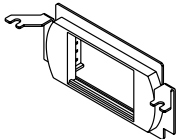
### RFB4-LPB Communication Bracket



Activate™ low profile adapter included. Wiremold CM Series Open System inserts sold separately.

**NOTE:** For RFB4 only.

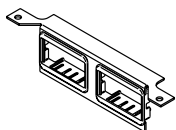
### RFB4-LPBS2 Communication Bracket



Ortronics® Series II low profile adapter included.

**NOTE:** For RFB4 only.

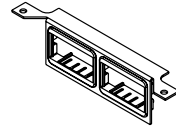
### DTB-2-2AB Communication Bracket



Two (2) 2A size adapters included. Wiremold CM2 Series Open System inserts sold separately.

**NOTE:** For RFB4 only.

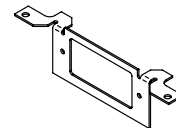
### DTB-2-2RT Communication Bracket



Ortronics® AB2TJ TracJack and ABS2 Series II adapters included.

**NOTE:** For RFB4 only.

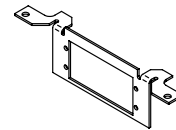
### DTB-2-DECORA Communication Bracket



decorator-style opening for decorator-style 106 adapter.

**NOTE:** For RFB4 only.

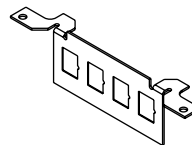
### DTB-2-AAP Internal A/V Bracket



Accepts two (2) Extron Electronics AAP devices, sold separately.

**NOTE:** For RFB4 only.

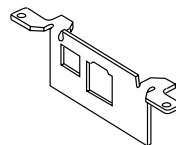
### DTB-2-4TKO Communication Bracket



Four (4) RJ keystone opening knockouts. Use as blank plate or for up to four (4) RJ openings.

**NOTE:** For RFB4 only. Opening dimension is 9/16" x 3/4" (14.3mm x 19.1mm).

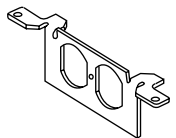
### DTB-2-DT Communication Bracket



With one (1) IBM Type II opening and one (1) keystone opening (devices not included).

**NOTE:** For RFB4 only.

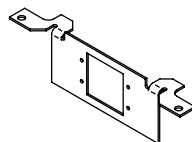
### DTB-2-SD Communication Bracket



With duplex opening for use with 106 adapter, sold separately, (devices not included).

**NOTE:** For RFB4 only.

### DTB-2-EXT Internal A/V Bracket



Accepts two (2) Legrand AVIP or Extron Electronics MAAP devices, sold separately.

**NOTE:** For RFB4 only.

**NOTE:** Additional configurations available. Please consult your local Sales Representative for more information.