

Product Specifications

Part Numbers Information

Electrical Specifications

Voltage Rating 250VAC
Operating Temperature: -55°C ~ 125°C

Standards

500mA-15A
20A-30A
Tested to UL 248-14 Standard. File E197390
Tested to CSA C22.2 No.248.14 Standard. File E197390



Interrupting Rating

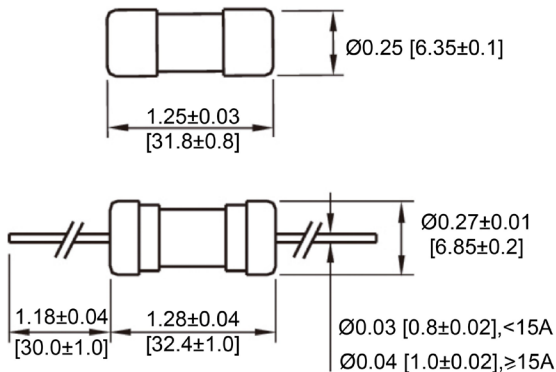
10kA @125VAC (500mA-15A)
35A @250VAC (500mA-1A)
100A @250VAC (1.2A-3.5A)
200A @250VAC (1.2A-3.5A)
750A @250VAC (12A-15A)
400A @125VAC (20A-30A)
100A @250VAC (20A-30A)
500A @125VAC (1A-15A) (PSE)
100A @250VAC (1A-30A) (PSE)
100A @250VAC (500mA-10A) (KC)

Material Specifications

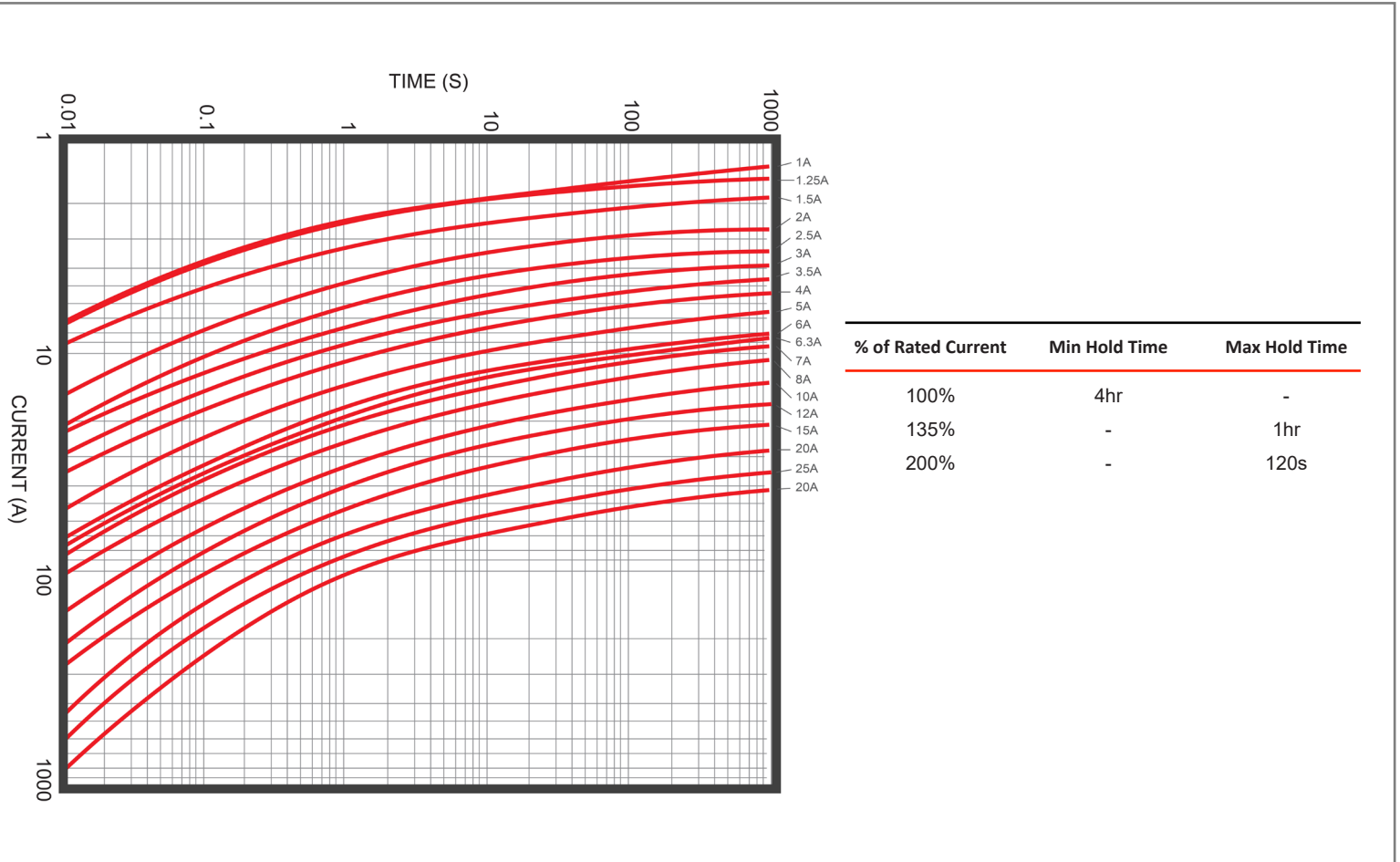
Body Material: Ceramic

Cartridge P/N	Axial Lead P/N	Ampere Rating	I ² T Reference (A ² Sec)	Nominal Cold Resistance (Ω)
TCA-500mA	TCA-P-500mA	500mA	-	3.5600
TCA-600mA	TCA-P-600mA	600mA	-	-
TCA-630mA	TCA-P-630mA	630mA	-	-
TCA-750mA	TCA-P-750mA	750mA	-	-
TCA-800mA	TCA-P-800mA	800mA	-	-
TCA-1A	TCA-P-1A	1A	0.5117	0.5350
TCA-1.2A	TCA-P-1.2A	1.2A	0.4802	-
TCA-1.25A	TCA-P-1.25A	1.25A	0.5002	0.5970
TCA-1.5A	TCA-P-1.5A	1.5A	0.7983	0.4500
TCA-1.6A	TCA-P-1.6A	1.6A	1.521	0.3900
TCA-2A	TCA-P-2A	2A	2.342	0.2550
TCA-2.5A	TCA-P-2.5A	2.5A	4.545	0.1780
TCA-3A	TCA-P-3A	3A	4.987	0.0649
TCA-3.15A	TCA-P-3.15A	3.15A	5.246	0.0610
TCA-3.5A	TCA-P-3.5A	3.5A	8.456	0.0492
TCA-4A	TCA-P-4A	4A	12.47	0.0426
TCA-5A	TCA-P-5A	5A	26.52	0.0290
TCA-6A	TCA-P-6A	6A	49.68	0.0227
TCA-7A	TCA-P-7A	7A	70.47	0.0170
TCA-8A	TCA-P-8A	8A	108.5	0.0139
TCA-10A	TCA-P-10A	10A	238.8	0.0097
TCA-12A	TCA-P-12A	12A	434.6	0.0075
TCA-13A	TCA-P-13A	13A	531.2	0.0062
TCA-15A	TCA-P-15A	15A	720.1	0.0054
TCA-20A	TCA-P-20A	20A	2008	0.0054
TCA-25A	TCA-P-25A	25A	3511	0.0028
TCA-30A	TCA-P-30A	30A	6658	0.0021

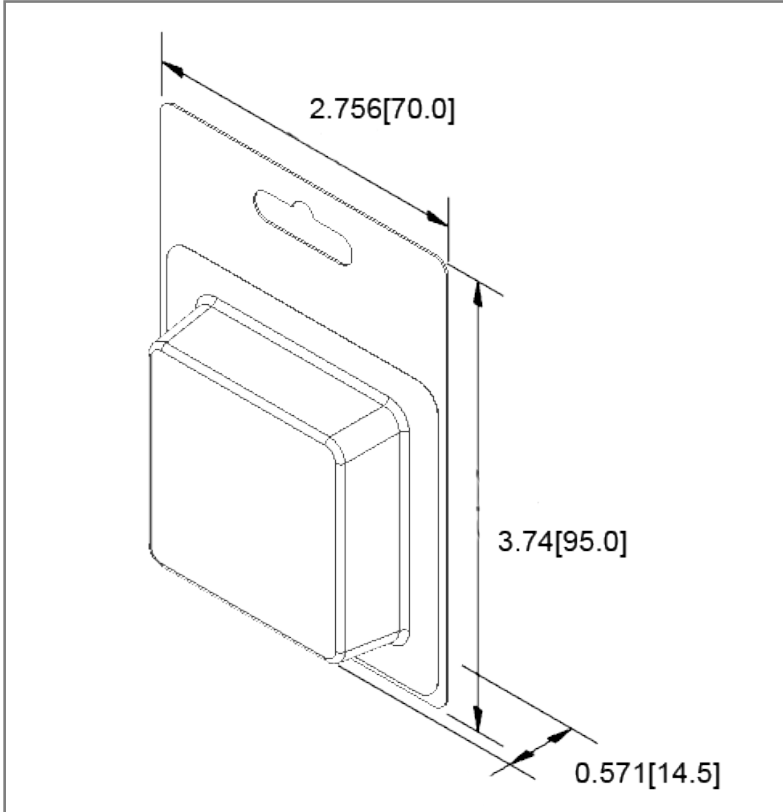
Mechanical Dimensions: Inches [mm]



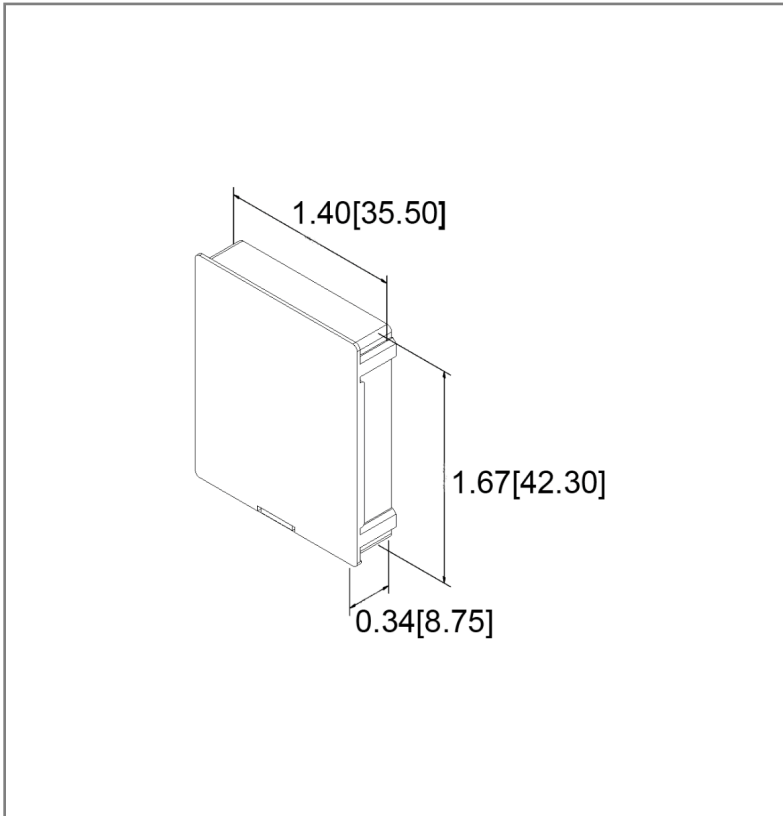
Time vs Percent of Rated Current



Blister Pack: Inches [mm]



Pill Box: Inches [mm]



Retail Pack Part Number Information

Ampere Rating	Retail Pack # Blister Card (5PCS)	Retail Pack # Pill Box (5PCS)
100mA	TCA-100mA-BP	TCA-100mA-BX
250mA	TCA-250mA-BP	TCA-250mA-BX
500mA	TCA-500mA-BP	TCA-500mA-BX
630mA	TCA-630mA-BP	TCA-630mA-BX
800mA	TCA-800mA-BP	TCA-800mA-BX
1A	TCA-1A-BP	TCA-1A-BX
1.25A	TCA-1.25A-BP	TCA-1.25A-BX
1.5A	TCA-1.5A-BP	TCA-1.5A-BX
1.6A	TCA-1.6A-BP	TCA-1.6A-BX
2A	TCA-2A-BP	TCA-2A-BX
2.5A	TCA-2.5A-BP	TCA-2.5A-BX
3A	TCA-3A-BP	TCA-3A-BX
4A	TCA-4A-BP	TCA-4A-BX
5A	TCA-5A-BP	TCA-5A-BX
6A	TCA-6A-BP	TCA-6A-BX
7A	TCA-7A-BP	TCA-7A-BX
8A	TCA-8A-BP	TCA-8A-BX
10A	TCA-10A-BP	TCA-10A-BX
12A	TCA-12A-BP	TCA-12A-BX
15A	TCA-15A-BP	TCA-15A-BX
20A	TCA-20A-BP	TCA-20A-BX
25A	TCA-25A-BP	TCA-25A-BX
30A	TCA-30A-BP	TCA-30A-BX

* Retail packs are for cartridge style fuses only

Rev Date of issue Revision Notes

Designed Approved

G	10-21-2025	Updated Part Numbers Information	RC	OF
---	------------	----------------------------------	----	----