

Catalog Numbering Legend

Commercial Wireway cont.

Hinge Cover Wireway Style Follows Size designation

3RHS	EnviroShield™ Type 3R Wireway, Painted
3RAHS	EnviroShield™ Type 3R Wireway, Aluminum
HS	Type 1 Quick-Connect Hinge Cover Wireway

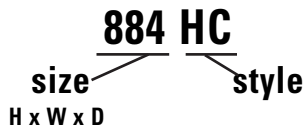
Hinge Cover Wireway Fittings

HSA	Wireway Connector - Adapter
HSC	Wireway Connector
HSE	Wireway End
HSF	Wireway End Flange
HSL	45° Elbow
HSL	90° Elbow
HST	Wireway Tee
HSU	Wireway Connector - Universal
HSX	Wireway Cross

Wire Trough Style Follows Size designation

GRT	Type 3R Screw Cover Wireway, Painted
GRTGV	3R Screw Cover Wireway, Galvanized
GTGV	Type 1 Wiring Trough, Galvanized

Commercial Enclosures



Enclosure Size Listed First

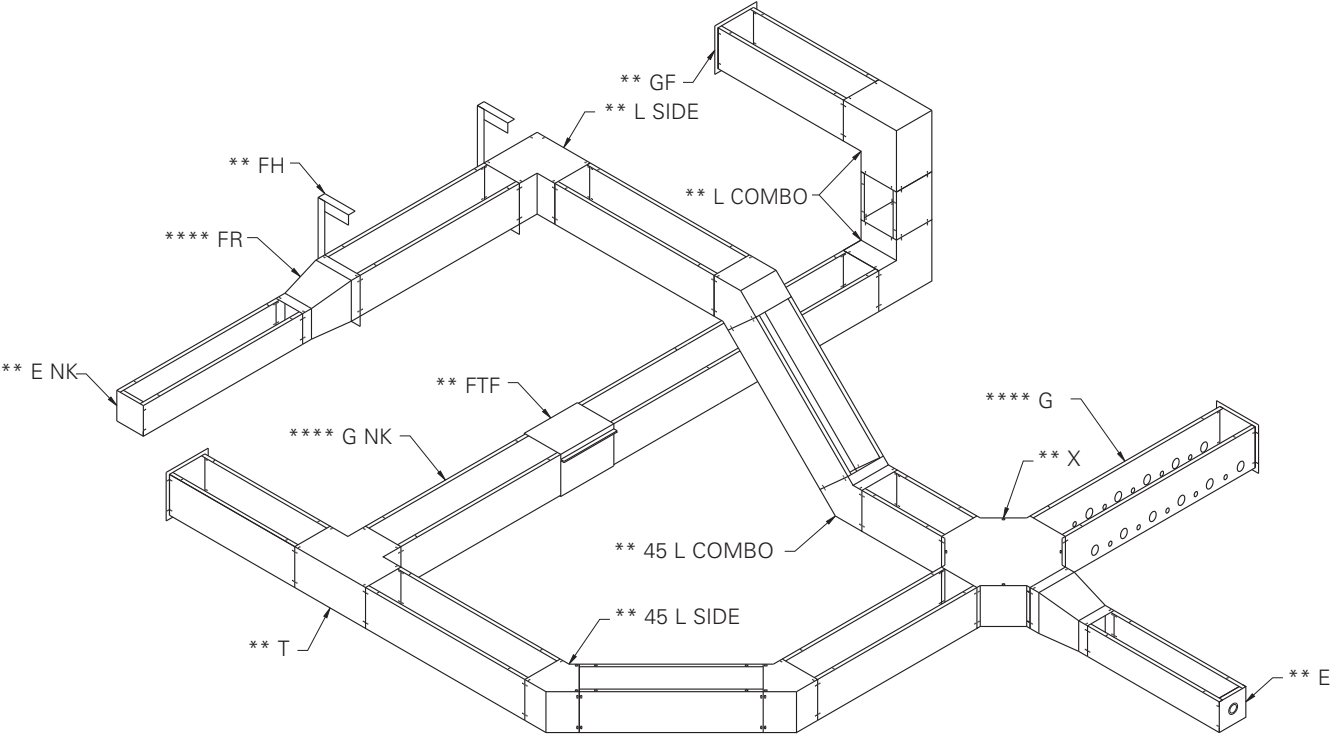
Enclosure Style Follows Size designation

DRHC	Type 3R Double-Door Hinge Cover
HC	Type 1 Hinge Cover
HC NK	Type 1 Hinge Cover No Knockouts
HRTCT	Type 3R Current Transformer Hinge Cover
P	Type 1 Locking Enclosure with Perforated Panel
RHC	Type 3R Hinge Cover
RTC	Type 3R Telephone Termination Cabinet
RTCT	Type 3R Current Transformer Screw Cover
RTHC	Type 3R Hinge Cover
RTHC NK	Type 3R Hinge Cover No Knockouts
RTSC	Type 3R Screw Cover
RTSCGV	Type 3R Screw Cover Galvanized
RTSCGV NK	Type 3R Screw Cover Galvanized No Knockouts
RTSC NK	Type 3R Screw Cover No Knockouts
SC	Type 1 Screw Cover
SCG	Type 3 Gasketed Screw Cover
SCGV	Type 1 Screw Cover Galvanized
SCGV NK	Type 1 Screw Cover Galvanized No Knockouts
SC NK	Type 1 Screw Cover No Knockouts
TCF	Type 1 Telephone Termination Cabinet/Flush Mount
TCS	Type 1 Telephone Termination Cabinet/Surface Mount
WPSC	Type 3 Screw Cover

Accessories

AHP	Adjustable Hinge Panel Kit
AMK	Adjustable Mounting Kit
APK	Adjustable Panel Kit
AP	Aluminum Panel
BAP	Blank Adapter Plate
BK	Barrier Kit
BP	Baffle Plate
DF	Dead Front Panel
DK	Drop Shield Kit
DSTOPK	Door Stop Kit
EH	External Hinge
ES	Enclosure Stabilizer
FAS	Filter Adhesive Spray
FLT	Filters
FLWK	Frameless Window Kit
FSHELF	Folding Shelf Kit
GP	Galvanized Panel
GP	Gland Plates
HWK	Hinged Window Kits
IC	Inspection Cover
JICSPK	JIC Swing Panel Kit
KL	Keyed Lock
LPK	Louver Plate Kits
MC	Mounting Channels
MMF	Modular Mounting Frame
NSPK	NEMA Swing Panel Kit
P	Panel
PF	Fiberglass Panel
PCK	Panel Conversion Kit
PLH	Panel Lifting Hooks
PMK	Pole Mounting Kits
PS	Panel Support Kit
PP	Perforated Panel
PWK	Plexiglass Window Kit
QRCS	Quick-Release Cover Screw
RMA	Rack Mounting Angles
SCS	Slotted Cover Screw
SF	Swing-Out Rack Frames
SL	Standard Latch
SP	Sealing Plate
SP	Stainless Panel
SP	Swing-Out Panel
TB	Terminal Block
TS	Terminal Strap
TSK	Terminal Strap Support Kit
WB	Wood Back Board
WMHK	Wall-Mount Handle, Key Locking
WMHNL	Wall-Mount Handle, Non-Locking
WMHPTO	Wall-Mount Handle, Padlockable
WMK	Wall Mounting Kit





This drawing is for illustration purposes only. It depicts how most B-Line series Type 1 screw cover wireway straight sections and fittings could be used in an actual wireway run. Covers have been omitted in many instances to more clearly show the lay-in feature. Straight sections and fittings can be combined in many different configurations to accommodate any wiring application. The nomenclature depicts Type 1 screw cover wireway in ANSI 61 gray painted steel. In addition, we also offer Type 1 galvanized screw cover wireway, Type 1 Quick-Connect hinge cover wireway, Type 3R wireway, NEMA 12 and NEMA 4/4X feed-through wireway, and NEMA 12 lay-in wireway.

NOMENCLATURE

**** FR	Reducer	** GF	End flange
**** G	Straight section with knockouts	** L COMBO	90° Elbow combo opening
**** G NK	Straight section without knockouts	** L SIDE	90° Elbow side opening
** E	End with knockouts	** 45 L COMBO	45° Elbow combo opening
** ENK	End without knockouts	** 45 L SIDE	45° Elbow side opening
** FH	Hanger	** T	Tee
** FTF	Telescopic fitting	** X	Cross

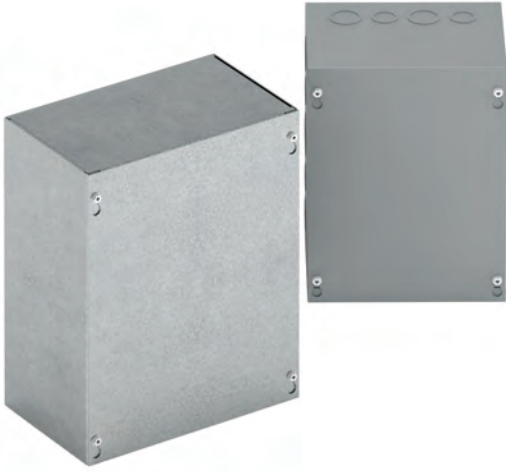
**** Specify height x depth x length

** Specify height x depth

Type 1, 3, & 3R Enclosures

Junction Boxes Type 1 Screw Cover - Painted & Galvanized Data and Illustration Sheet

Type 1, 3, & 3R Enclosures



Application

- Used as wiring boxes, junction and pull boxes
- Protects against contact with enclosed equipment

Standards

- UL 50 listed, Type 1
- CSA C22.2 No. 40 certified, Type 1
- Conforms to NEMA standard for Type 1

Finish

- Wash and phosphate undercoat or galvanized steel
- ANSI 61 gray acrylic electrocoat finish

Accessories

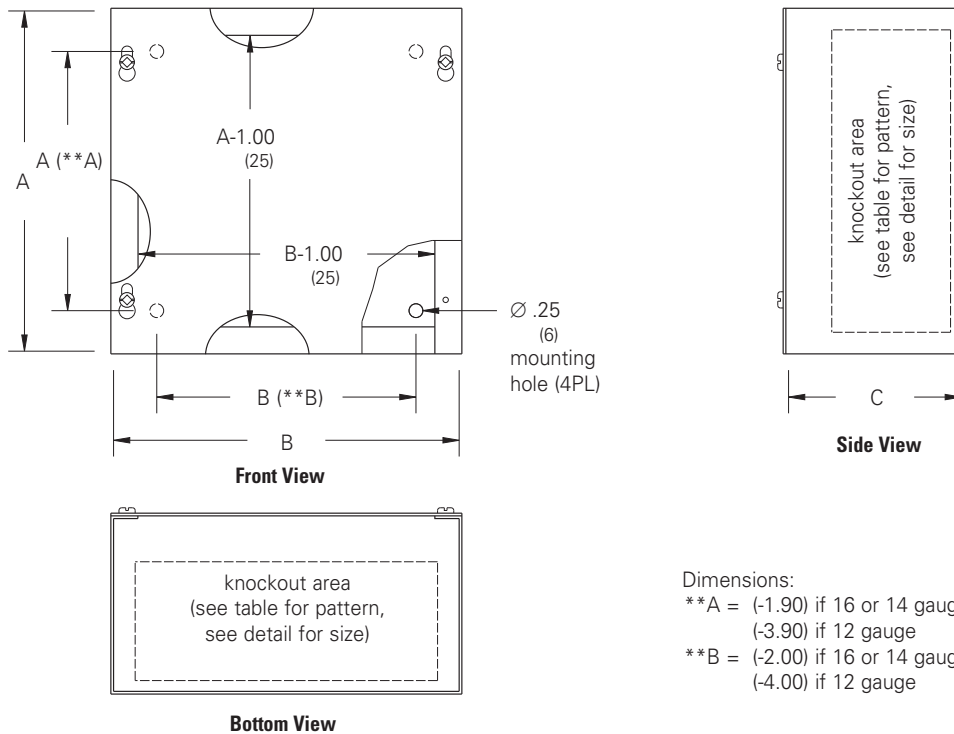
- Ground lug kit
- Touch-up paint
- See Accessories section

Construction

- Enclosure and cover are fabricated from code gauge steel or galvanized steel, (see table)
- Enclosure body has mounting holes on the back
- Enclosures are available with or without knockouts on the sides, top and bottom ends
- Cover is secured to the body with plated pan head combo screws
- Keyhole slots provided in the cover allow easy access to the inside without removing the screws
- Hole provision for optional ground lug kit
- Ground screw provided

Discount Schedule: A2

Subclass: AN0 (painted) & AX1 (galvanized)



Dimensions:

- **A = (-1.90) if 16 or 14 gauge
(-3.90) if 12 gauge
- **B = (-2.00) if 16 or 14 gauge
(-4.00) if 12 gauge

Notes: We can provide special sizes, finishes and other modifications. Consult the factory for your special requirements. Dimensions are in inches. Millimeters shown are for reference only. Data subject to change without notice.

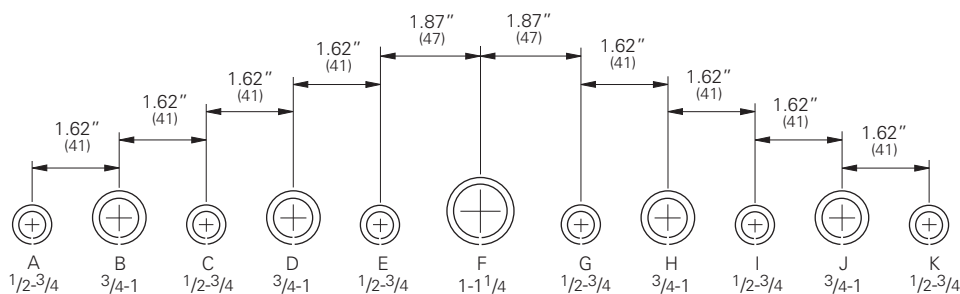
Junction Boxes Type 1 Screw Cover - Painted & Galvanized

Catalog Number

Subclass: ANO - Painted & AX1 - Galvanized

Enclosure Catalog Number				Enclosure Size		Gauge	Knockout Pattern Each Side	Knockout Pattern Top & Bottom
Painted		Galvanized		Height x Width x Depth A x B x C				
KO	No KO	KO	No KO	in.	mm			
443 SC	443 SC NK	443 SCGV	443 SCGV NK	4.00 x 4.00 x 3.00	102 x 102 x 76	16	(C D)	(C D)
444 SC	444 SC NK	444 SCGV	444 SCGV NK	4.00 x 4.00 x 4.00	102 x 102 x 102	16	(C D)	(C D)
644 SC	644 SC NK	644 SCGV	644 SCGV NK	6.00 x 4.00 x 4.00	152 x 102 x 102	16	(C D E)	(C D)
663 SC	663 SC NK	663 SCGV	663 SCGV NK	6.00 x 6.00 x 3.00	152 x 152 x 76	16	(C D E)	(C D E)
664 SC	664 SC NK	664 SCGV	664 SCGV NK	6.00 x 6.00 x 4.00	152 x 152 x 102	16	(C D E)	(C D E)
863 SC	863 SC NK	863 SCGV	863 SCGV NK	8.00 x 6.00 x 4.300	203 x 152 x 76	16	(G H I J)	(C D E)
864 SC	864 SC NK	864 SCGV	864 SCGV NK	8.00 x 6.00 x 4.00	203 x 152 x 102	16	(G H I J)	(C D E)
884 SC	884 SC NK	884 SCGV	884 SCGV NK	8.00 x 8.00 x 4.00	203 x 203 x 102	16	(G H I J)	(G H I J)
--	1064 SC NK	--	1064 SCGV NK	10.00 x 6.00 x 4.00	254 x 152 x 102	16	--	--
1084 SC	1084 SC NK	1084 SCGV	1084 SCGV NK	10.00 x 8.00 x 4.00	254 x 203 x 102	16	(G H I J)	(G H I J)
10104 SC	10104 SC NK	10104 SCGV	10104 SCGV NK	10.00 x 10.00 x 4.00	254 x 254 x 102	16	(G H I J)	(G H I J)
1264 SC	1264 SC NK	--	1264 SCGV NK	12.00 x 6.00 x 4.00	305 x 152 x 102	16	(D E F G H)	(C D E)
1284 SC	1284 SC NK	1284 SCGV	1284 SCGV NK	12.00 x 8.00 x 4.00	305 x 203 x 102	16	(D E F G H)	(G H I J)
12104 SC	12104 SC NK	12104 SCGV	12104 SCGV NK	12.00 x 10.00 x 4.00	305 x 254 x 102	16	(D E F G H)	(D E F G H)
12124 SC	12124 SC NK	12124 SCGV	12124 SCGV NK	12.00 x 12.00 x 4.00	305 x 305 x 102	16	(D E F G H)	(D E F G H)
--	15154 SC NK	15154 SCGV	--	15.00 x 15.00 x 4.00	381 x 381 x 102	16	(C D E F G H I)	(C D E F G H I)
16124 SC	16124 SC NK	16124 SCGV	16124 SCGV NK	16.00 x 12.00 x 4.00	406 x 305 x 102	16	(C D E F G H I)	(D E F G H)
16164 SC	16164 SC NK	16164 SCGV	--	16.00 x 16.00 x 4.00	406 x 406 x 102	16	(C D E F G H I)	(C D E F G H I)
18124 SC	18124 SC NK	18124 SCGV	18124 SCGV NK	18.00 x 12.00 x 4.00	457 x 305 x 102	16	(B C D E F G H I J)	(D E F G H)
--	18154 SC NK	18154 SCGV	--	18.00 x 15.00 x 4.00	457 x 381 x 102	16	(B C D E F G H I J)	(C D E F G H I)
18184 SC	18184 SC NK	18184 SCGV	18184 SCGV NK	18.00 x 18.00 x 4.00	457 x 457 x 102	16	(B C D E F G H I J)	(B C D E F G H I J)
24124 SC	24124 SC NK	24124 SCGV	--	24.00 x 12.00 x 4.00	610 x 305 x 102	16	(B C D E F G H I J)	(D E F G H)
--	24184 SC NK	24184 SCGV	--	24.00 x 18.00 x 4.00	610 x 457 x 102	16	(B C D E F G H I J)	(B C D E F G H I J)
24244 SC	24244 SC NK	24244 SCGV	24244 SCGV NK	24.00 x 24.00 x 4.00	610 x 610 x 102	14	(B C D E F G H I J)	(B C D E F G H I J)
--	30184 SC NK	30184 SCGV	30184 SCGV NK	30.00 x 18.00 x 4.00	762 x 457 x 102	16	(B C D E F G H I J)	(B C D E F G H I J)
30244 SC	30244 SC NK	30244 SCGV	30244 SCGV NK	30.00 x 24.00 x 4.00	762 x 610 x 102	14	(B C D E F G H I J)	(B C D E F G H I J)
-	30304 SC NK	-	30304 SCGV NK	30.00 x 30.00 x 4.00	762 x 762 x 102	12	--	--

Type 1, 3, & 3R Enclosures



Conduit Sizes

Knockout Detail

Note: See table for applicable knockout pattern.

Notes: Dimensions are in inches. Millimeters shown are for reference only. Data subject to change without notice.