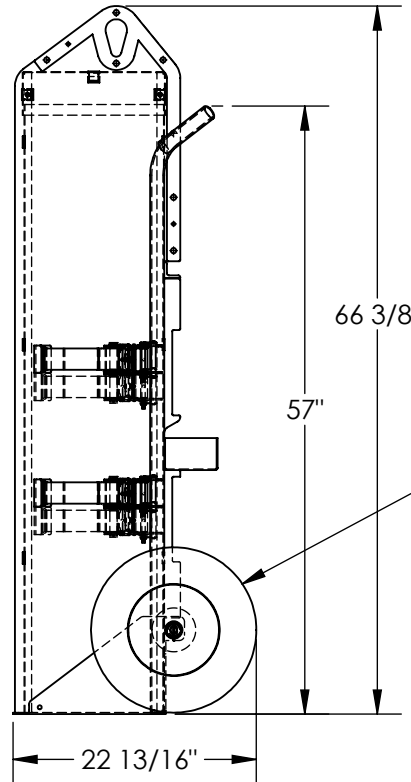
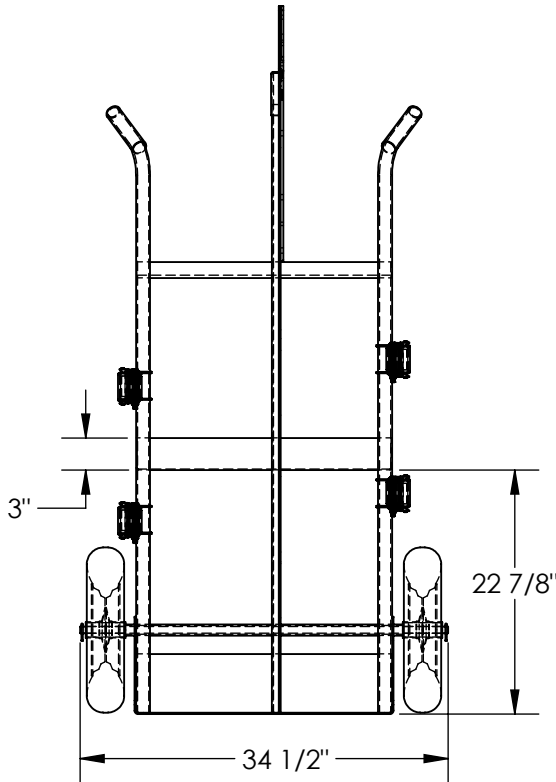
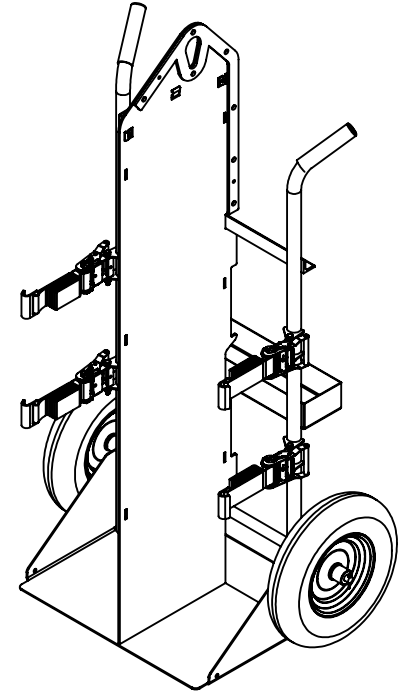
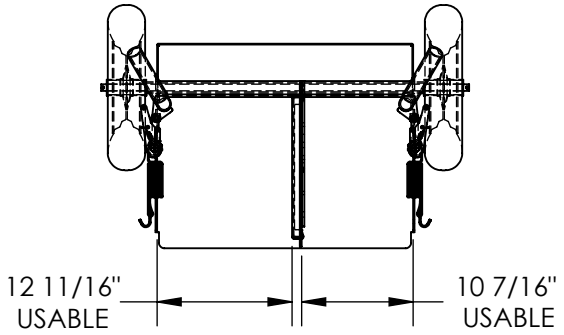


HEAVY DUTY ECONOMY CYLINDER CART WITH FIREPROOF INSERT - CYL-EH-FP-FF

ANY ADDITIONS, DELETIONS, OR OMISSIONS MUST BE CORRECTED ON THIS DRAWING AS THIS DRAWING WILL BE CONSIDERED ALL INCLUSIVE

APPROX WEIGHT: 192.42 lbs.
DOES NOT INCLUDE WEIGHT OF POWER OR PACKAGING!!!



Ø16" FOAM FILLED WHEELS

ALL GRAPHICS PROVIDED ARE FOR REFERENCE ONLY. IF CERTAIN DIMENSIONS ARE CRITICAL PLEASE VERIFY THOSE DIMENSIONS WITH YOUR SALESPERSON

DIMENSION TOLERANCE +/-1/4"

STANDARD FEATURES

MODEL NUMBER IS CYL-EH-FP-FF
CAPACITY IS: 500 LBS
OVERALL WIDTH IS 34 1/2"
LEFT SIDE USABLE WIDTH IS 12 11/16"
RIGHT SIDE USABLE WIDTH IS 10 7/16"
OVERALL DEPTH IS 22 13/16"
OVERALL HEIGHT IS 66 3/8"
STRAPS TO SECURE TANKS
DIVIDER WITH FIREPROOF MARINITE INSERT
Ø16" FOAM FILLED WHEELS
DURABLE BAKED IN POWDERCOATED YELLOW FINISH

SPECIAL FEATURES

NONE

APPROVAL

I, THE UNDERSIGNED, AGREE THAT THE PRODUCT AS REPRESENTED SATISFIES DESIGN AND DIMENSION REQUIREMENTS. I ALSO ACKNOWLEDGE MY DUTY TO CONFIRM PRODUCT AND INSTALLATION COMPLIANCE WITH ALL APPLICABLE FEDERAL, STATE AND LOCAL REGULATIONS AND STANDARDS.
UNITS REQUIRING APPROVAL DRAWINGS OR MODIFIED ARE NON-RETURNABLE
[] As drawn [] As marked

Signed: _____ Date: _____

Printed Name: _____

LEAD TIME WILL START UPON RECEIPT OF SIGNED APPROVAL DRAWING

DISTRIBUTOR'S NAME:		P.O.#
VESTIL MANUFACTURING		X
DRAWN BY: TJM		W.O.#
DATE: 03/05/10		X
REFERENCE: X	SCALE: 1:18	SALES: X
QUOTED LEAD TIME: X	QUOTE #	FILE NAME:
	X	16-007-243