

VERSIPOLE™

UL Listed 1953; Finger-Safe IEC 60527; IP-20 Rating

The VERSIPOLE™ Configurable Series Power Distribution Blocks are used for splicing and distributing power from primary run(s) to secondary/branch circuits. They are offered in standard one, two, or three pole configurations. The configurable series can also be designed to accommodate an infinite number of made-to-order combinations.

Features & Benefits

- 600 Volt rated; Listed to UL1953; Rated for use with both code and flex conductor without requiring ferrules
- AL9CU dual rated for use with copper and aluminum conductors
- Range taking designs accommodate wire sizes up to 535 DLO and can support 1 or 2 run conductors and up to 12 taps for secondary circuits
- Allow for panel mounting; medium and large sizes also allow for DIN rail mounting
- Finger-Safe style are provided with translucent polycarbonate top covers and end plates to permit easy visual inspection and provide IEC 60529 IP-20 Rating
- High Short-Circuit Current rating up to 100kA with proper fusing
- Bases and side barriers of glass-reinforced nylon 6/6 for extra durability and excellent insulating properties; carry a UL94 flammability rating of V0



↑ Figure 1
Open Style
BDBMCS5M1 shown



Figure 2 →
Finger-Safe Style comes
with covers and end plates
BDBMCS5M1FS shown



← Figure 3
Finger-Safe Kits include
only covers and end plates

Ordering Information & Footnotes:

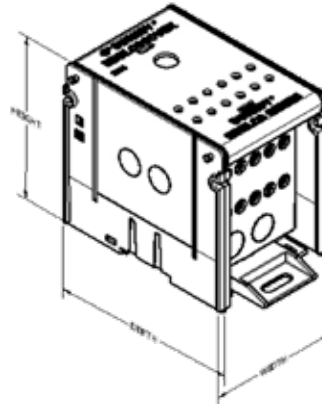
Finger-Safe Kits include translucent top cover and end plates only. Order 1 kit per pole. The kits are used in conjunction with Open style distribution blocks. (Distribution blocks are not included.)

† To achieve Finger-Safe style Adder order Open style Adder and Finger-Safe Kit

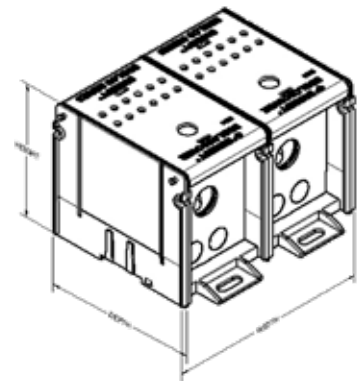
Optional Hinged Covers are available for use with Open style blocks and are ordered 1 cover per pole.

Optional Hinged Covers:

Catalog Number	Size
BDBSCSCOVER	Small
BDBMCSCOVER	Medium
BDBLCSCOVER	Large



BDBLCS3A1FS shown



BDBLCS3A2FS shown

Small Series:			# of Conductors		Wire Range (Class B, C, H, I, K, DLO)		# of Poles	Dimensions			Amp Rating per Pole
Open Style (Fig. 1)	Finger-Safe Style (Fig. 2)	Finger-Safe Kit (Fig. 3)	Run	Tap	Run	Tap		W	D	H	
BDBSCS1C1	BDBSCS1C1FS	BDBSCS1C1FSKIT	1	4	#14 - 2/0	#14 - #4	1	1.34	3.06	3.59	175
BDBSCS1C2	BDBSCS1C2FS						2	2.41	3.06	3.59	175
BDBSCS1C3	BDBSCS1C3FS						3	3.48	3.06	3.59	175
BDBSCS1CA	†						Adder	1.16	3.06	3.59	175

VERSIPOLE™ (Continued)

Catalog Number			# of Conductors		Wire Range (Class B, C, H, I, K, DLO)		# of Poles	Dimensions			Amp Rating per Pole
Open Style (Fig. 1)	Finger-Safe Style (Fig. 2)	Finger-Safe Kit (Fig. 3)	Run	Tap	Run	Tap		W	D	H	
BDBSCS1P1	BDBSCS1P1FS	BDBSCS1P1FSKIT	1	1	#14 - 2/0	#14 - 2/0	1	1.34	3.06	3.59	175
BDBSCS1P2	BDBSCS1P2FS						2	2.41	3.06	3.59	175
BDBSCS1P3	BDBSCS1P3FS						3	3.48	3.06	3.59	175
BDBSCS1PA	†						Adder	1.16	3.06	3.59	175

Medium Series:											
BDBMCS1F1	BDBMCS1F1FS	BDBMCS1F1FSKIT	1	6	#14 - 2/0	#14 - #2	1	2.09	4.52	3.70	175
BDBMCS1F2	BDBMCS1F2FS						2	3.90	4.52	3.70	175
BDBMCS1F3	BDBMCS1F3FS						3	5.72	4.52	3.70	175
BDBMCS1FA	†						Adder	1.91	4.52	3.70	175
BDBMCS3U1	BDBMCS3U1FS	BDBMCS3U1FSKIT	1	1	#6 - 350	#6 - 350	1	2.09	4.52	3.70	310
BDBMCS3U2	BDBMCS3U2FS						2	3.90	4.52	3.70	310
BDBMCS3U3	BDBMCS3U3FS						3	5.72	4.52	3.70	310
BDBMCS3UA	†						Adder	1.91	4.52	3.70	310
BDBMCS2F1	BDBMCS2F1FS	BDBMCS2F1FSKIT	2	6	#14 - 2/0	#14 - #2	1	2.09	4.52	3.70	350
BDBMCS2F2	BDBMCS2F2FS						2	3.90	4.52	3.70	350
BDBMCS2F3	BDBMCS2F3FS						3	5.72	4.52	3.70	350
BDBMCS2FA	†						Adder	1.91	4.52	3.70	350
BDBMCS2N1	BDBMCS2N1FS	BDBMCS2N1FSKIT	2	2	#14 - 2/0	#14 - 2/0	1	2.09	4.52	3.70	350
BDBMCS2N2	BDBMCS2N2FS						2	3.90	4.52	3.70	350
BDBMCS2N3	BDBMCS2N3FS						3	5.72	4.52	3.70	350
BDBMCS2NA	†						Adder	1.91	4.52	3.70	350
BDBMCS5F1	BDBMCS5F1FS	BDBMCS5F1FSKIT	1	6	#4 - 500	#14 - #2	1	2.09	4.52	3.70	380
BDBMCS5F2	BDBMCS5F2FS						2	3.90	4.52	3.70	380
BDBMCS5F3	BDBMCS5F3FS						3	5.72	4.52	3.70	380
BDBMCS5FA	†						Adder	1.91	4.52	3.70	380
BDBMCS5M1	BDBMCS5M1FS	BDBMCS5M1FSKIT	1	4	#4 - 500	#14 - 2/0	1	2.09	4.52	3.70	380
BDBMCS5M2	BDBMCS5M2FS						2	3.90	4.52	3.70	380
BDBMCS5M3	BDBMCS5M3FS						3	5.72	4.52	3.70	380
BDBMCS5MA	†						Adder	1.91	4.52	3.70	380

Large Series:											
BDBLCS3A1	BDBLCS3A1FS	BDBLCS3A1FSKIT	1	12	#6 - 350	#14 - #4	1	3.25	5.54	4.12	310
BDBLCS3A2	BDBLCS3A2FS						2	6.17	5.54	4.12	310
BDBLCS3A3	BDBLCS3A3FS						3	9.09	5.54	4.12	310
BDBLCS3AA	†						Adder	3.05	5.54	4.12	310
BDBLCS3K1	BDBLCS3K1FS	BDBLCS3K1FSKIT	1	6	#6 - 350	#14 - 2/0	1	3.25	5.54	4.12	310
BDBLCS3K2	BDBLCS3K2FS						2	6.17	5.54	4.12	310
BDBLCS3K3	BDBLCS3K3FS						3	9.09	5.54	4.12	310
BDBLCS3KA	†						Adder	3.05	5.54	4.12	310