

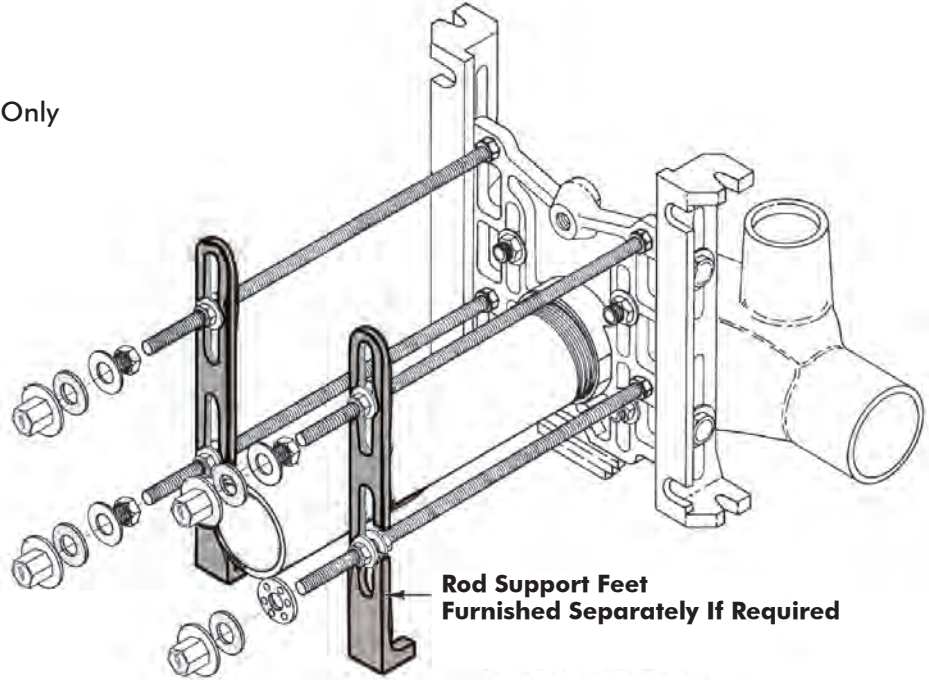
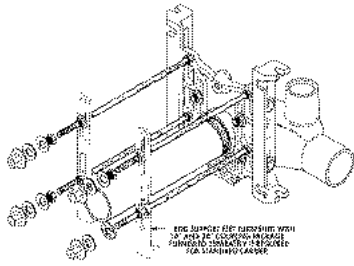
Options to Commercial Closet Carriers

M4 Rod Support Feet

Recommended for dimensions over 10" from finish wall to faceplate.

	Add
Single	496.00
Double	992.00

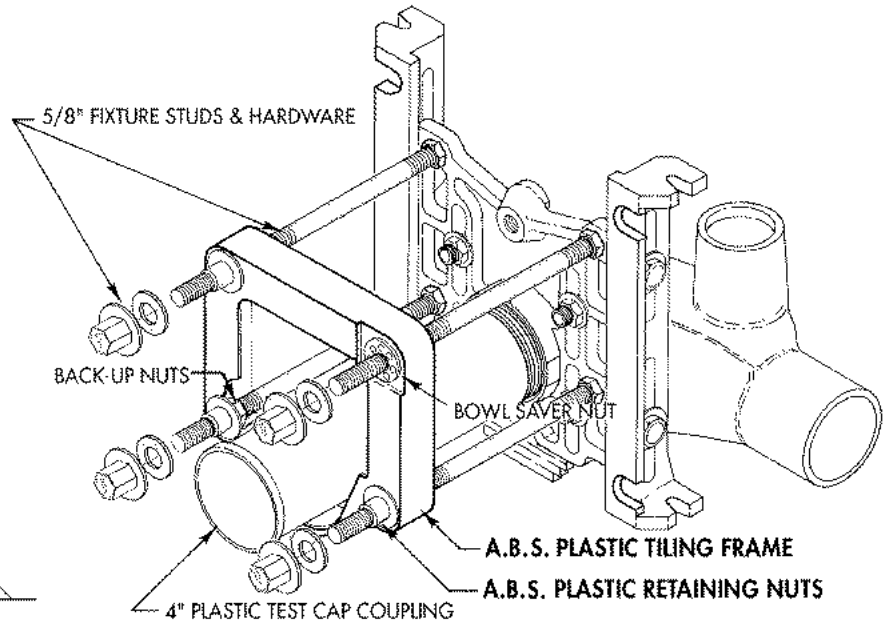
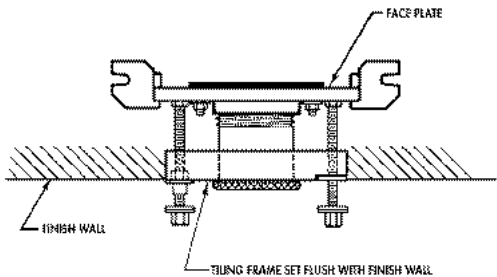
M4 Auxillary Support Feet Only



AM21 Tiling Frame

(Mounts on carrier fixture studs when the carrier is installed; tiling guide and templet, eliminates problems caused by dimensional variations when wall is erected.)

	Add
Single	47.00
Double	94.00



■ DENOTES MATERIAL FURNISHED WITH MODIFICATION
□ DENOTES MATERIAL REGULARLY FURNISHED WITH CARRIER