



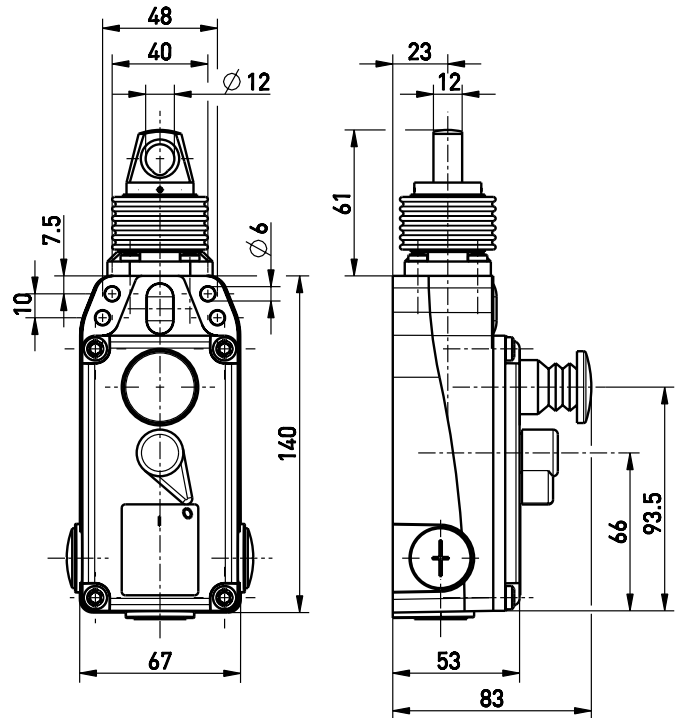
Emergency pull-wire switch ZS 80 3Ö/1S WVD

Article no.: 1178758 (old article no.: 72942502)

Product features

- Metal enclosure
- Position indicator and integrated emergency-stop push button
- Wire length up to 100 m
- Spring force variant: 100 N
- Lever for release and position indication
- Watertight collar
- Wire pull and breakage detection

Dimensions



Technical data

Applied standards

EN 60947-5-1, EN 60947-5-5, EN ISO 13850, EN ISO 13849-1

Enclosure

aluminium die-cast, powder-coated, RAL 1003

Cover

thermoplastic, glass-fibre reinforced, shockproof, self-extinguishing UL 94 V-0

Tightening torque

cover screws: 2.4 Nm

Degree of protection

IP67 (IEC/EN 60529)

B_{10d} (10 % load)

200 000

T_M

max. 20 years

Contact material

silver

Switching elements

3 NC/1 NO contacts, type Zb

Switching system

slow action, positive break NC contacts \ominus

Connection

2 x 4 pole terminal block

Cable cross-section

max. 2.5 mm² (incl. conductor ferrules)

Cable entry

3 x M20 x 1.5 (for cable glands only)

Rated impulse withstand voltage U_{imp}

2.5 kV

Rated insulation voltage U_i

250 V

Conventional thermal current I_{the}

2 A

Conditional short-circuit current

1000 A

Utilisation category

AC-15; DC-13

Rated operating current/voltage I_e/U_e

2 A/250 VAC; 0.25 A/230 VDC; 2 A/24 VDC

Short-circuit protection

2 A gG fuse

Errors and omissions excepted.



Emergency pull-wire switch ZS 80 3Ö/1S WVD

Article no.: 1178758 (old article no.: 72942502)

Technical data (contd.)

Ambient temperature
-25 °C ... +70 °C

Mechanical life
> 100 000 operations

Max. wire length
100 m

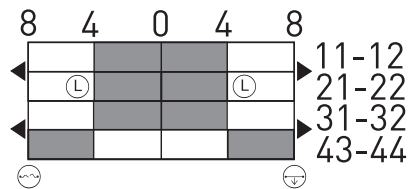
Note
At 5 m distance intermediate wire supports are required. One wire thimble is provided.

Approvals



Weight
696 g

Switching diagram



Contact diagram

