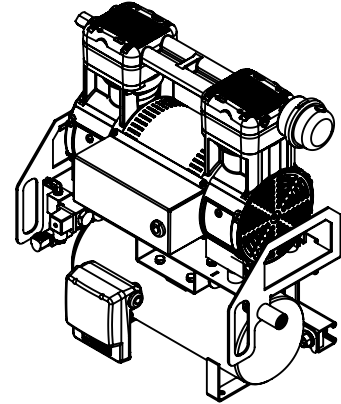


## TECHNICAL DATA SHEET

MODEL NO.	AMPS	HP	kW	NET WT.		VOLT	FREQ.
				lbs.	kg		
120R-200S	10/8	2	1.5	94	43	208-240 / 208-230	60/50

**NOTES:**

1. PRESSURE SWITCH SET TO CUT-IN AT 50 PSI & CUT-OUT AT 125 PSI.
2. PRODUCT PERFORMANCE MAY VARY  $\pm 10\%$  IN STANDARD PRODUCTION.
3. TECHNICAL DATA SUBJECT TO CHANGE WITHOUT NOTICE.
4. ALL DIMENSIONS ARE FOR REFERENCE ONLY.
5. FOR INDOOR USE ONLY
6. PRESSURE SWITCH SETTINGS ADJUSTABLE UP TO 125 PSI.



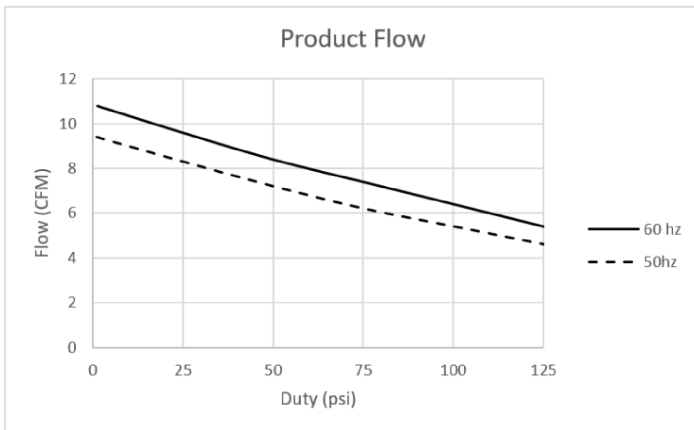
**SOUND LEVEL** 83 dB(A) / 1m

**NORMAL AMBIENT** 5-40°C / 40-104°F

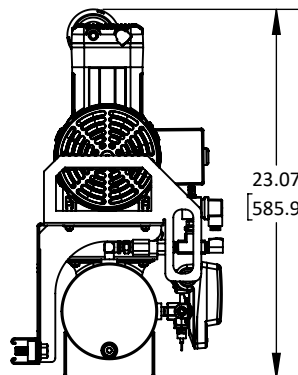
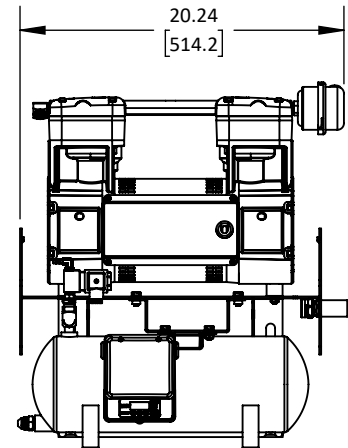
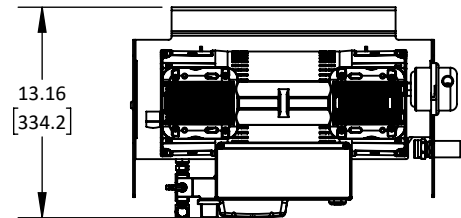
**RELATIVE HUMIDITY** 20-80% NON CONDENSING

**ENVIRONMENT** CLEAN / DUST FREE

### PRODUCT PERFORMANCE:



### PRODUCT DIMENSIONS:



Pressure (psi)	60 hz 30 Minute Charge Capacity (gallons)	50 hz 30 Minute Charge Capacity (gallons)
8	4976	4354
10	3936	3483
12	3286	2902
14	2831	2443
16	2461	2123
18	2176	1882
20	1950	1681
22	1762	1516
24	1600	1378
26	1471	1272
28	1359	1169
30	1258	1090
32	1173	1017
34	1099	949
36	1035	888
38	971	836
40	921	792